

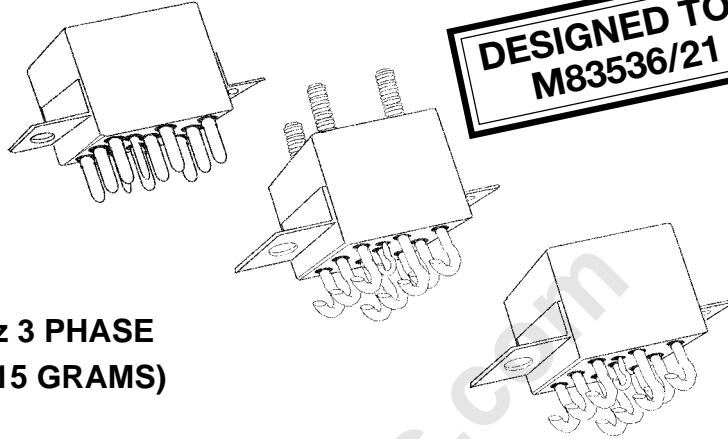


**SERIES**  
**FCB-310**

## Tyco Electronics Mid-Range Military/Aerospace Relays

**10 AMPERES, 3PDT**

- HERMETICALLY SEALED
- ALL WELDED CONSTRUCTION
- BALANCED FORCE
- PERMANENT MAGNET DRIVE
- CONTACTS RATED LOW LEVEL TO 10 AMPS
- 28 VDC AND 115/200 VAC 400 Hz 3 PHASE
- WEIGHT .99 OUNCES MAX. ( 28.15 GRAMS)



The Series FCB-310 relay is a polarized single-side stable design, where the flux from a permanent magnet provides the armature holding force in the deactivated state, and its flux path is switched and combined with the coil flux in the operated state. This results in appreciably increased contact pressure in both states over that of a spring return nonpolar design. We also manufacture other versions of this relay:

**FCB-205:** 5 AMP DPDT RELAY

**FCB-405:** 5 AMP 4PDT RELAY

### CONTACT RATING-AMPERES

Ratings Are Continuous Duty

TYPE OF LOAD	LIFE (MIN.) CYCLES X 10 <sup>3</sup>	28 VDC	115VAC 400HZ	115AC 400Hz-	115/200VAC 400Hz-3Ø
Resistive	50	10	10	10	10
Inductive	10	6	-	-	-
Inductive	20	-	8	8	8
Motor	50	4	4	4	4
Lamp	50	2	2	2	2

Low Level Switching Capability: With contacts operating a load of 10 to 50 microamperes at 10 to 50 millivolts, the contact resistance miss detection level shall be 100 ohms max. Cycling rate is 1 to 12 per second, for 100,000 operations.

**OVERLOAD CURRENT 30 AMPS DC, 60 AMPS 400HZ**  
**RUPTURE CURRENT 40AMPS DC, 80 AMPS 400HZ**  
**CONTACT MAKE BOUNCE 1 MILLISECOND AT NOMINAL VOLTAGE**  
**MAX. CONTACT DROP AT 10 AMPS: INITIAL 0.100 VOLTS.**  
**END OF LIFE 0.125 VOLTS**

**SERIES**  
**FCB-310**



# Tyco Electronics Mid-Range Military/Aerospace Relays

## 10 AMPERES, 3PDT

### COIL DATA

COIL CODE	NOMINAL VOLTAGES	FREQ. HZ	DC RES (B).	OVER TEMPERATURE RANGE		
				PICKUP OR BELOW VOLTS	DROPOUT OR ABOVE VOLTS	MUST HOLD VOLTAGE (C)
1	6	DC	25 Ω	4.5	0.3	2.5
2	12	DC	100 Ω	9.0	0.75	4.5
3	28	DC	400 Ω	18.0	1.5	7.0
4 (A)	28	DC	400 Ω	18.0	1.5	7.0
5	48	DC	1275 Ω	36.0	2.5	14.0

- A. CODE 4 COILS HAVE BACK EMF SUPPRESSION TO 42 VOLTS MAX.
- B. DC COIL RESISTANCE ± 10% AT 25°C;
- C. RELAY WILL STAY IN PICKED-UP STATE DOWN TO MUST HOLD VOLTAGES SHOWN.
- D. MAX. OVER-VOLTAGE: 6 & 12 VDC COILS 120% OF NOMINAL; ALL OTHERS 110% OF NOMINAL.

### GENERAL SPECIFICATIONS

TEMPERATURE RATING:		-70°C TO + 125°C
ALTITUDE:		300,000 FEET
SHOCK:*	Z, & Y ENCLOSURES	200 g FOR 6 mS
	W, X & M ENCLOSURES	100 g FOR 6 mS
	T ENCLOSURE (IN TRACK)	50 g FOR 11 mS
VIBRATION, SINUSOIDAL:*	Z, & Y ENCLOSURES	30 g 70-3000Hz
	W, X & M ENCLOSURES	20 g 70-3000Hz
	T ENCLOSURE (IN TRACK)	10 g 57-500 Hz
		20 g 500-3000 Hz
VIBRATION, RANDOM: *	Z, & Y ENCLOSURES	0.4 g <sup>2</sup> /Hz 50-2000Hz
	T, W & M ENCLOSURES	0.2 g <sup>2</sup> /Hz 50-2000Hz
DIELECTRIC STRENGTH AT SEA LEVEL:	ALL CIRCUITS TO GROUND AND CIRCUIT TO CIRCUIT.	1000 V rms
	COIL TO GROUND	1000 V rms
DIELECTRIC STRENGTH AT 80,000 FEET:		250 V rms
INSULATION RESISTANCE:	INITIAL (500 VDC)	100 MΩ MINIMUM
	AFTER LIFE OR ENVIRONMENTAL TESTS	50 MΩ MINIMUM
OPERATE TIME AT NOMINAL VOLTAGE:		6 ms OR LESS
RELEASE TIME AT NOMINAL VOLTAGE:		6 ms OR LESS

\* Max. contact opening under vibration or shock 10 microseconds



**SERIES**  
**FCB-310**

# Tyco Electronics Mid-Range Military/Aerospace Relays

## 10 AMPERES, 3PDT

Below are shown the standard terminal types and the enclosures available. Specify the assembly as indicated under How To Order. Dimensions are shown in inches  $\pm .010$  and (Millimeters  $\pm .25$ ).

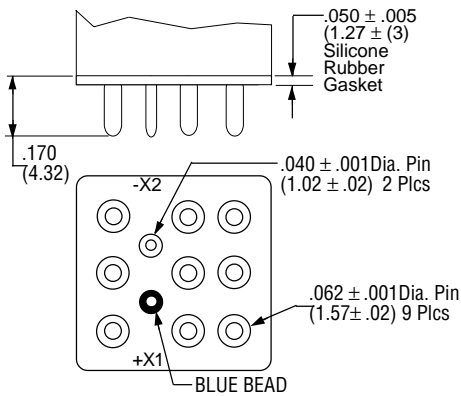
### TERMINALS

**CODE**

**"A"**

**Socket Pins - All DC Coils**

PIN TERMINALS ARE GOLD PLATED

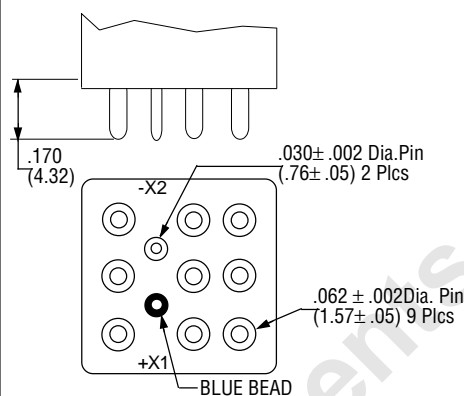


**CODE**

**"B"**

**Solder Pin Terminals**

PIN TERMINALS TIN/LEAD PLATED

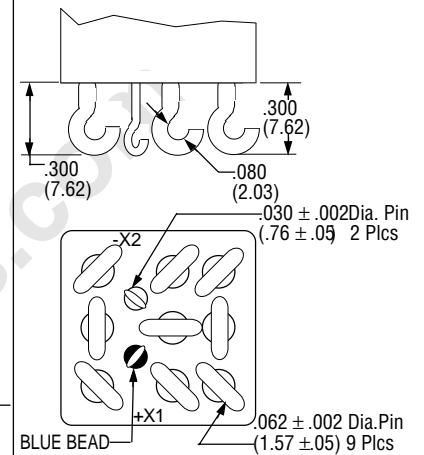


**CODE**

**"C"**

**Solder Hook Terminals**

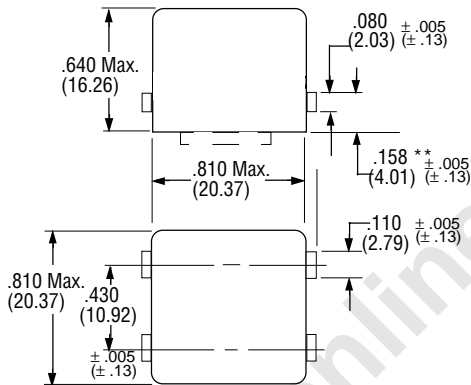
HOOK TERMINALS TIN/LEAD PLATED



**CODE**

**"T"**

M83536/22-025  
(REFERENCE ONLY)



### ENCLOSURES

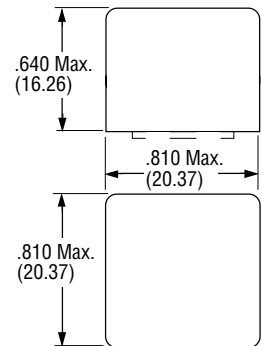
All Enclosures have cupro-Nickel cans bright acid tin/lead plated after assembly to terminal headers.

Dimensions: Inches  $\pm .010$  (mm  $\pm .25$ )

Enclosure "T" is for use with track mounted sockets and requires socket pin terminals, but no gasket. The gasket is included in the socket assembly.

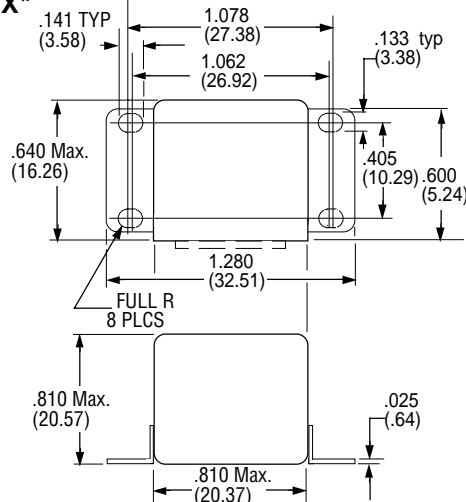
**CODE**

**"Z"**



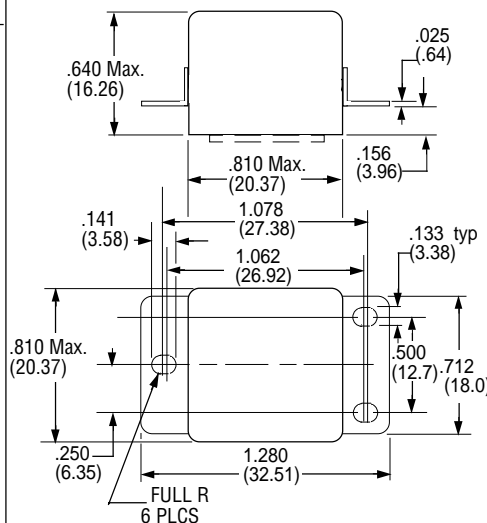
**CODE**

**"X"**



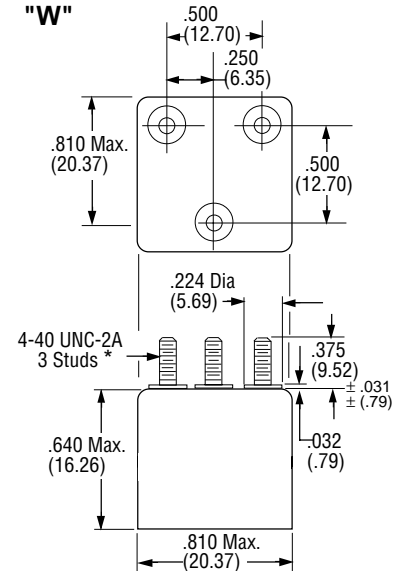
**CODE**

**"Y"**



**CODE**

**"W"**



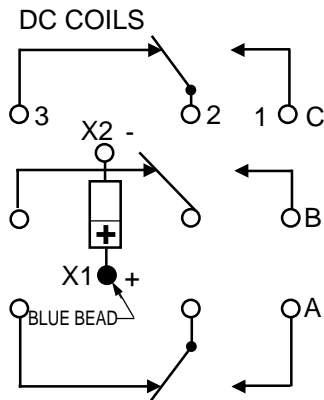
\*Metric threads available, To specify use  $\square$  in place of  $\square$



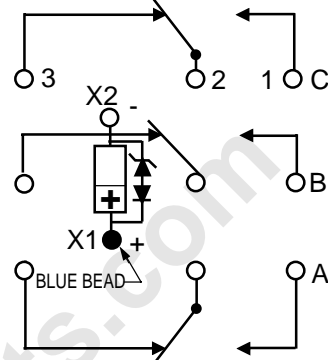
# Tyco Electronics Mid-Range Military/Aerospace Relays

## 10 AMPERES, 3PDT

### TERMINAL WIRING



### DC COILS WITH TRANSIENT SUPPRESSION

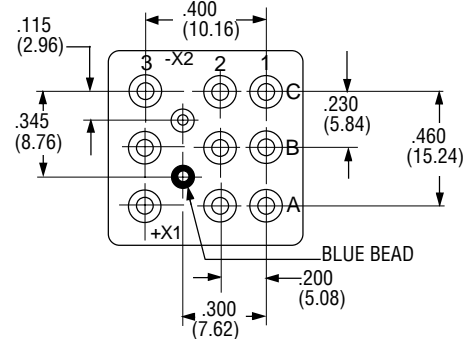


**NOTE:** Polarity must be observed with DC coil supply. Relay is polarized with a permanent magnet and will not operate or be damaged by reverse polarity.

Diodes used in transient suppression and in AC rectifier circuits have peak inverse voltage rating of 600 VDC minimum. Zener diodes have a minimum rating of 1 watt.

Terminal designations are for reference only and do not appear on the header.

### TERMINAL LAYOUT



### HOW TO ORDER

(EXAMPLE) \_\_\_\_\_ **FCB-310-A Y 4**

RELAY TYPE \_\_\_\_\_

TERMINALS (Socket Pins) \_\_\_\_\_

ENCLOSURE (With Flanges) \_\_\_\_\_

COIL (28 VDC With Transient Suppression). \_\_\_\_\_