

# EAH, EBH Series

For UL544 Health Care Equipment



**UL Recognized  
CSA Certified  
VDE Approved**

## EAH Series

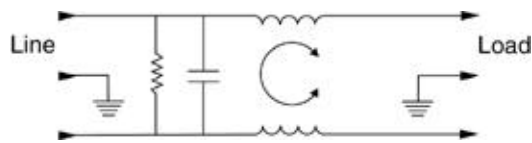
This is the generation of compact medical RFI filters with an IEC socket. A new design in internal structure and manufacturing process makes this series cost effective. This health care series supersedes the H series by providing superior differential mode performance while still maintaining a maximum leakage current of 2 micro amps.

## EBH Series

Also a compact medical RFI filter with IEC socket, the EBH series is a cost effective alternative to the H series. Electrically the EBH provides enhanced differential mode performance compared to both the EAH and the H series. These filters provide RFI common and differential mode performance while still allowing medical equipment to meet UL leakage current specifications for medical and dental equipment.

Additional information on UL544 specifications is listed in Appendix C.

## Electrical Schematic



Resistor location for reference only.



## Specifications

Maximum leakage current, each		
line-to-ground	@ 120 VAC 60 Hz:	2 $\mu$ A
	@ 250 VAC 50 Hz:	5 $\mu$ A
Hipot rating (one minute):		
line-to-ground		1500 VAC
line-to-line		1450 VDC
Operating frequency:		50/60 Hz
Rated voltage:		120/250 VAC

**Minimum** insertion loss in dB:

### EAH

Line-to-ground in 50 ohm circuit

Current Rating	Frequency-MHz								
	.01	.05	.1	.15	.5	1	5	10	30
1A	8	21	29	32	42	45	32	30	19
3A	-	5	10	15	25	27	30	27	22
6A	-	-	5	6	19	21	24	20	15
10A	-	-	1	5	9	12	12	12	12
15A	-	-	-	1	3	4	5	6	6

Line-to-line in 50 ohm circuit

Current Rating	Frequency-MHz				
	1	1.5	5	10	30
1A	5	13	28	32	25
3A	4	6	20	27	28
6A	2	5	19	25	27
10A	1	5	15	22	27
15A	6	9	15	22	27

### EBH

Line-to-ground in 50 ohm circuit

Current Rating	Frequency-MHz								
	.01	.05	.1	.15	.5	1	5	10	30
1A	8	21	29	32	42	45	32	25	19
3A	-	5	10	15	25	27	30	27	22
6A	-	-	5	8	17	20	24	23	18
10A	-	-	-	3	8	12	12	12	12
15A	-	-	-	1	3	4	5	6	6

Line-to-line in 50 ohm circuit

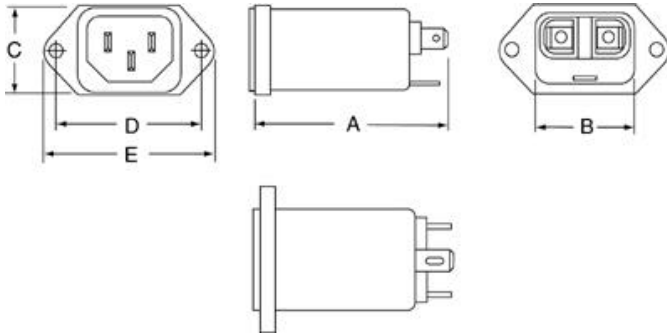
Current Rating	Frequency-MHz					
	.15	.5	1	5	10	30
1A, 3A, 6A, 10A	1	10	18	30	31	31
15A	1	10	18	30	31	31

# Series EAH, EBH

## Case Style

Metric shown in italics.

### EAH1/EBH1

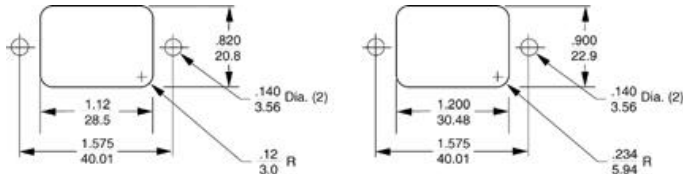


Typical dimensions

Terminals:  $\frac{.250}{6.35}$  (3) Holes:  $\frac{.07}{1.8}$  Dia.(2) Slot:  $\frac{.07 \times .16}{1.8 \times 4.1}$

Mounting holes:  $\frac{.132}{3.35}$  Dia.(2) with .260 Dia. x 90° countersunk for #4 Flathead Screw.

## Recommended Panel Cutouts



Panel Cutout (Front mount)

Tolerance:  $\pm \frac{.02}{.57}$

Panel Cutout (Back mount)

Tolerance:  $\pm \frac{.02}{.57}$

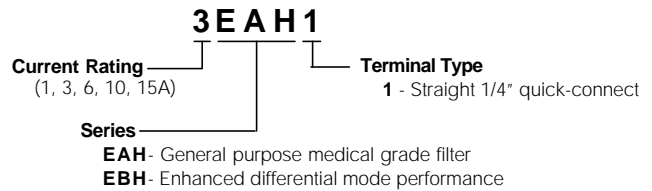
## Case Dimensions

Metric shown in italics.

Part No.	A (max)	B (max)	C (max)	D $\frac{+.010}{-.25}$	E (max)
EAH1	$\frac{2.15}{55.88}$	$\frac{1.12}{28.45}$	$\frac{.9}{22.9}$	$\frac{1.575}{40.01}$	$\frac{1.98}{50.3}$
EBH1	$\frac{2.15}{55.88}$	$\frac{1.12}{28.45}$	$\frac{.9}{22.9}$	$\frac{1.575}{40.01}$	$\frac{1.98}{50.3}$

## Ordering Information

Consult your local Corcom sales representative for pricing.



## Available Part Numbers

1EAH1	1EBH1
3EAH1	3EBH1
6EAH1	6EBH1
10EAH1	10EBH1
15EAH1	15EBH1

## Accessory Line Cord No. GA400

7 1/2 foot, 3 conductor line cord to mate with filter IEC input connector. 1250 watt, 10A-125 VAC, black SVT cord, UL listed, CSA certified

## Accessory Insulating Boot No. FA601

Plastic shroud to cover terminals on back of filter (style 1 terminals only)