

18 - Disconnect switches

Non-fusible disconnect switches 18.1 - 18.18

| | |
|--|-------------------|
| Accessories for double throw switches | 18.17 |
| Base & DIN rail mounted, 16 - 3150A | 18.5 |
| Cable operated flange, 30 - 200A | 18.14 |
| Description | 18.1 |
| Door mounted switches, 16 - 100A | 18.11 |
| Double throw switches, 16 - 600A | 18.15 |
| Handles & shafts for double throw switches | 18.16 |
| OT800 - 1200A, New product coming soon! | 18.18 |
| Selection guide, OT16F3 - OT160E3 | 18.2 |
| Selection guide, OT200-600, OETL--NF800A-3150 | 18.3 |
| Selection information | 18.4 |
| Shaft operated flange, 30 - 100A | 18.13 |
| Special configurations | 18.16, 18.17 |
| Special configurations, 16 - 600A | 18.15 |
| Special configurations, 30 - 100A | 18.13 |
| Special configurations, 30 - 200A | 18.14 |
| Standard handles & shafts | 18.6, 18.7 |
| Standard non-fusible accessories | 18.10, 18.8, 18.9 |
| Standard non-fusible accessories for door mounted switches | 18.12 |

Fusible disconnect switches 18.19 - 18.36

Selection

| | |
|--|---------------------|
| BS fuse pattern, 20 - 800A | 18.32 |
| Base & DIN rail mounted, 30 - 800A | 18.22 |
| Cable operated flange, 30 - 200A | 18.29 |
| DIN fuse pattern, 32 - 800A | 18.33 |
| High speed fuse pattern | 18.30, 18.31 |
| NFC fuse pattern, 63 - 125A | 18.34 |
| OS800, New product coming soon! | 18.35 |
| Other configurations | 18.30, 18.31 |
| Other configurations, 20 - 800A | 18.32 |
| Other configurations, 32 - 800A | 18.33 |
| Other configurations, 63 - 125A | 18.34 |
| Selection guide, OS30AFCC12 - OES800L3 | 18.20 |
| Selection information | 18.21 |
| Shaft operated flange, 30 - 100A | 18.28 |
| Special configurations, 30 - 100A | 18.28, 18.29 |
| Special type fuses | 18.30 |
| Description | 18.19, 18.23, 18.24 |

Accessories

| | |
|--|---------------------|
| Accessories for base & DIN rail mounted switches | 18.25, 18.26, 18.27 |
| Additional poles | 18.26 |
| Auxiliary contacts | 18.25 |
| Fuse carriers/covers | 18.26 |
| Fuse monitors | 18.26 |
| Locking accessories | 18.27 |
| Replacement parts | 18.27 |
| Shaft accessories | 18.27 |
| Shorting bars | 18.27 |
| Standard fusible accessories | 18.25, 18.26, 18.27 |
| T type fuse adaptor kit | 18.27 |
| Terminal lugs | 18.25 |
| Terminal shrouds | 18.26 |

Enclosed disconnect switches 18.37 - 18.56

Selection

| | |
|---|-------|
| 2 & 4 Pole, 30 - 800A | 18.54 |
| 2 pole, 125 - 3150A | 18.46 |
| 3 pole bypass, 16 - 1200A | 18.50 |
| 3 pole double throw, 16 - 1200A | 18.49 |
| 3 pole mechanically interlocked, 16 - 1200A | 18.51 |

| | |
|--|-------|
| 3 pole, 16 - 3150A | 18.45 |
| 3 pole, 16 - 3150A | 18.44 |
| 3 pole, 30 - 800A | 18.53 |
| 4 pole, 16 - 3150A | 18.47 |
| 6 Pole, mechanically interlocked, 30 - 800A | 18.55 |
| 6 pole, 16 - 1200A | 18.48 |
| Description | 18.37 |
| General information, fusible, 30 - 800A | 18.43 |
| General information, non-fusible, 16 - 3150A | 18.42 |
| Mechanically interlocked, 6 pole, 30 - 800A | 18.55 |
| eOT Enclosed switches | 18.38 |
| eOT Enclosed switches, non-fusible, fusible & lockable | 18.41 |

Accessories

| | |
|---------------------------------|--------------|
| Auxiliary contacts | 18.52, 18.56 |
| Miscellaneous accessories | 18.52, 18.56 |

Dimensions

| | |
|----------------------|-------|
| eOT16 - eOT45U | 18.39 |
| eOT63 | 18.40 |

Technical data 18.57 - 18.74

| | |
|--|--------------|
| Auxiliary contact timing diagrams, OS200 - OES800 | 18.70 |
| Auxiliary contact timing diagrams, OS30 - OS100 | 18.69 |
| Auxiliary contact timing diagrams, OT16 - OT100 | 18.67 |
| Auxiliary contact timing diagrams, OT160 - OETL-NF3150 | 18.68 |
| Definitions | 18.74 |
| IEC Environmental ratings | 18.73 |
| NEMA Environmental ratings | 18.72 |
| OS30AF_12 - OES800L3, IEC | 18.65, 18.66 |
| OS30AF_12 - OES800L3, UL & CSA | 18.64 |
| OT16F3 - OT160E3, IEC | 18.60, 18.62 |
| OT16F3 - OT160E3, UL & CSA | 18.58 |
| OT200U03 - OETL-NF3150, IEC | 18.61, 18.63 |
| OT200U03 - OETL-NF3150, UL & CSA | 18.59 |
| Other configuration descriptions | 18.71 |
| Selecting switches per NEC | 18.57 |
| Use of UL98 & UL508 disconnects | 18.57 |

Dimensions (Non-Fusible & Fusible) 18.75 - 18.98

| | |
|--|--------------|
| 16A - 3150A, 2, 3 & 4 Pole | 18.97 |
| 30 - 800A, 2, 3 & 4 Pole | 18.96 |
| Conversion mechanisms, 125 - 200A | 18.91 |
| Conversion mechanisms, 16 - 100A | 18.90 |
| Conversion mechanisms, 400 - 1200A | 18.92 |
| Conversion mechanisms, 400 - 3150A | 18.93 |
| Handles | 18.94, 18.95 |
| OES800L3 | 18.87, 18.89 |
| OETL-NF1200 - OETL - NF1600 | 18.82 |
| OETL-NF2000 - OETL-NF3150 | 18.83 |
| OS100J03 - OS200J03 | 18.85 |
| OS30AF_12 - OS60J_12 | 18.84 |
| OS400J03 - OS600J03 | 18.86 |
| OT16 - OT100F3C, Double throw | 18.78 |
| OT160E3 & OT160ET3 | 18.79 |
| OT16F3 - OT100F3 | 18.75 |
| OT16F6 - OT100F6, 6 pole | 18.77 |
| OT16FT3 - OT100FT3, Door mounted | 18.76 |
| OT200_ - OT400 | 18.80 |
| OT600U03 - OETL-NF800A | 18.81 |
| Terminal lugs | 18.88 |

Non-fusible Disconnect switches



Non-fusible disconnect switches
16A – 3150A, 600V

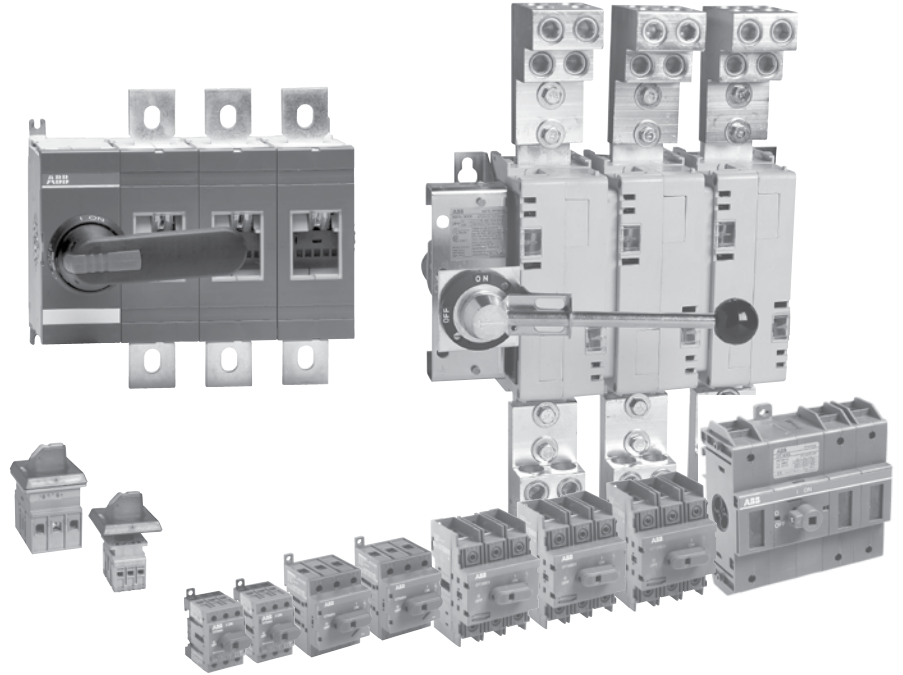


ABB SwitchLine includes 16 different amperage sizes from 16A to 3150A. The basic construction provides flexibility, safety, and high performance in an extremely compact size. ABB SwitchLine is a perfect choice for all switching applications from industrial motor control to construction safety switches.

International acceptance

UL listed, CSA approved, IEC rated, CE marked, and most other international standards.

UL98 (CSA 22.2 No.4) – UL File # E101914, CSA File #LR58077

For OT30, OT60, OT100, OT125, OT200, OT400, OT600, OETL-NF800 – OETL-NF2000 switches, OH_ pistol grip handles

Suitable for use as motor disconnects or industrial control panel disconnects on service entrance equipment, panelboards, switchboards, industrial control equipment, motor control centers, etc. and are horsepower rated and ampere rated.

UL508 (CSA 22.2 No. 14) – UL File # E63822, CSA File #LR58247

For OT16 – OT80 switches, OH_ selector handles

Suitable for use in equipment or machinery as motor controllers & motor disconnects and are horsepower and ampere rated.

IEC

Tested in accordance to IEC 947-1 and 3, IEC 664, IEC 269, and IEC 204

CE

Compliance with the European Machine Directive IEC 204 (EN 60204)

General information

Selection guide

OT16F3 – OT160E3



| Catalog number | 3 pole | OT16F3 | OT25F3 | OT40F3 | OT63F3 | OT80F3 | OT30F3 | OT60F3 | OT100F3 |
|---|----------|--------------------|--------------------|--------------------|--------------------|--------------------|--------------------|--------------------|--------------------|
| General purpose amp rating | A | 16 | 25 | 40 | 60 | 80 | 30 | 60 | 100 |
| Approvals ① | | | | | | | | | |
| | 2 pole | N/A | N/A | N/A | N/A | N/A | N/A | N/A | N/A |
| | 3 pole | UL508 | UL508 | UL508 | UL508 | UL508 | UL98 | UL98 | UL98 |
| | 4 pole | UL508 | UL508 | UL508 | UL508 | UL508 | UL98 | UL98 | UL98 |
| Technical ratings – UL, CSA ② | | | | | | | | | |
| Max operating voltage | V | 600 | 600 | 600 | 600 | 600 | 600 | 600 | 600 |
| Max horsepower rating | | | | | | | | | |
| Three phase | | | | | | | | | |
| 240V | HP | 5 | 7.5 | 10 | 15 | 20 | 10 | 20 | 30 |
| 480V | HP | 10 | 15 | 20 | 30 | 40 | 20 | 40 | 50 |
| 600V | HP | 10 | 20 | 25 | 30 | 40 | 30 | 40 | 50 |
| Single phase | | | | | | | | | |
| 120V | HP | 1 | 1.5 | 2 | 2 | 2 | 2 | 3 | 5 |
| 240V | HP | 2 | 3 | 5 | 5 | 5 | 5 | 7.5 | 15 |
| Technical ratings – IEC ② | | | | | | | | | |
| Rated insulation and operational voltage, AC20 and DC20 | V | 750 | 750 | 750 | 750 | 750 | 750 | 750 | 750 |
| Rated thermal current, I _n | | | | | | | | | |
| AC 20/DC 20 open | A | 25 | 32 | 40 | 63 | 80 | 40 | 63 | 115 |
| AC 20/DC 20 enclosed | A | 25 | 32 | 40 | 63 | 80 | 40 | 63 | 115 |
| AC 21A ≤500V | A | 16 | 25 | 32 | 63 | 80 | 40 | 63 | 100 |
| AC 21A ≤690V | A | 16 | 25 | 32 | 63 | 80 | 40 | 63 | 100 |
| Rated operational power AC23 | | | | | | | | | |
| 400/415V | kW | 7.5 | 9 | 11 | 22 | 37 | 15 | 18.5 | 37 |
| 690V | kW | 7.5 | 9 | 11 | 15 | 18.5 | 15 | 15 | 37 |
| Physical characteristics | | | | | | | | | |
| Weight ③ | 3 pole | lb | 0.24 | 0.24 | 0.24 | 0.59 | 0.59 | 0.79 | 0.79 |
| Dimension | 3 pole | H in | 2.68 | 2.68 | 2.68 | 3.60 | 3.60 | 3.94 | 3.94 |
| | | W in | 1.38 | 1.38 | 1.38 | 2.07 | 2.07 | 2.76 | 2.76 |
| | | D in | 2.20 | 2.20 | 2.20 | 2.85 | 2.85 | 2.95 | 2.95 |
| Accessories | | | | | | | | | |
| Terminal lug kit | | Integral | Integral | Integral | Integral | Integral | Integral | Integral | Integral |
| Terminal shroud | | • | • | • | • | • | • | • | • |
| Auxiliary contact | | • | • | • | • | • | • | • | • |
| Shaft/handle diameter | | 6mm .24" x .24" | 6mm .24" x .24" | 6mm .24" x .24" | 6mm .24" x .24" | 6mm .24" x .24" | 6mm .24" x .24" | 6mm .24" x .24" | 6mm .24" x .24" |
| Handle UL/NEMA type | | | | | | | | | |
| Type 1, 3R, 12 | | • | • | • | • | • | • | • | • |
| Type 1, 3R, 4, 4X, 12 | | • | • | • | • | • | • | • | • |
| Handle type | | | | | | | | | |
| Selector | | • | • | • | • | • | — | — | — |
| Pistol | | • | • | • | • | • | • | • | • |
| Recommended pistol handle length | | 45 - 65mm | 45 - 65mm | 45 - 65mm | 45 - 65mm | 45 - 65mm | 45 - 65mm | 45 - 65mm | 45 - 65mm |
| Maximum recommended shaft length | | 290mm | 290mm | 290mm | 290mm | 290mm | 290mm | 290mm | 290mm |
| Conversion kits | | | | | | | | | |
| 6 pole | | • | • | • | • | • | • | • | • |
| Transfer | | • | • | • | • | • | • | • | • |
| Bypass | | • | • | • | • | • | • | • | • |
| Mechanical interlock | | • | • | • | • | • | • | • | • |
| Electrical interlock | | — | — | — | — | — | — | — | — |

• = Available
— = Not available

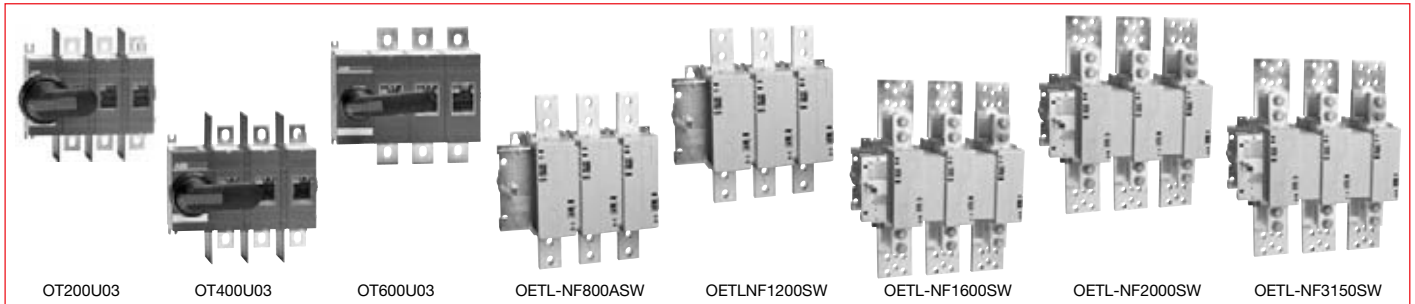
① UL listed switches are also CSA approved.
② For complete technical information please see page 18.38 – 18.70.
③ Switch only.

General information

Selection guide

OT200 – OT600 & OETL-NF800A – OETL-NF3150

Disconnect
switches
Non-fusible



| Catalog number | 3 pole | OT200U03 | OT400U03 | OT600U03 | OETL-NF800A | OETL-NF1200 | OETL-NF1600 | OETL-NF2000 | OETL-NF3150 |
|---|----------|--------------------|---------------------|---------------------|---------------------|---------------------|---------------------|---------------------|---------------------|
| General purpose amp rating | A | 200 | 400 | 600 | 800 | 1200 | 1600 | 2000 | 3150 |
| Approvals ① | | | | | | | | | |
| | 2 pole | N/A | N/A | UL98 & IEC | UL98 & IEC | UL98 & IEC | UL98 & IEC | UL98 & IEC | IEC |
| | 3 pole | UL98 & IEC | UL98 & IEC | UL98 & IEC | UL98 & IEC | UL98 & IEC | UL98 & IEC | UL98 & IEC | IEC |
| | 4 pole | UL98 & IEC | UL98 & IEC | UL98 & IEC | IEC | IEC | IEC | IEC | IEC |
| Technical ratings – UL, CSA ② | | | | | | | | | |
| Max operating voltage | V | 600 | 600 | 600 | 600 | 600 | 600 | 480 | 600 |
| Max horsepower rating | | | | | | | | | |
| Three phase | | | | | | | | | |
| 240V | HP | 75 | 125 | 200 | 250 | — | — | — | — |
| 480V | HP | 150 | 250 | 450 | 500 | — | — | — | — |
| 600V | HP | 200 | 350 | 500 | 600 | — | — | — | — |
| Single phase | | | | | | | | | |
| 120V | HP | — | — | — | — | — | — | — | — |
| 240V | HP | — | — | — | — | — | — | — | — |
| Technical ratings – IEC ③ | | | | | | | | | |
| Rated insulation and operational voltage. AC20 and DC20 | V | 1000 | 1000 | 1000 | 1000 | 1000 | 1000 | 1000 | 1000 |
| Rated thermal current, I _{th} | | | | | | | | | |
| AC 20/DC 20 open | A | 250 | 400 | 800 | 1250 | 1600 | 2500 | 2500 | 3150 |
| AC 20/DC 20 enclosed | A | 250 | 400 | 800 | 1250 | 1600 | 2300 | 2300 | 2600 |
| AC 21A ≤500V | A | 250 | 400 | 800 | 1250 | 1600 | 2500④ | 2500④ | 3150④ |
| ≤690V | A | 250 | 400 | 800 | 1250 | 1600 | 2500④ | 2500④ | 3150④ |
| Rated operational power AC23 | | | | | | | | | |
| 400/415V | kW | 132 | 220 | 400 | 400 | 400 | 400 | 400 | 400 |
| 690V | kW | 240 | 355 | 800 | — | — | — | — | — |
| Physical characteristics | | | | | | | | | |
| Weight ③ 3 pole | lb | 2.9 | 5.7 | 11.4 | 35.9 | 38.55 | 127.7 | 127.7 | 127.7 |
| Dimension 3 pole | | | | | | | | | |
| H in | | 6.69 | 8.66 | 10 | 19.09 | 19.09 | 25.04 | 25.04 | 25.04 |
| W in | | 6.67 | 8.7 | 10.64 | 14.29 | 14.29 | 18.43 | 18.43 | 18.43 |
| D in | | 3.30 | 3.35 | 5.56 | 4.92 | 4.92 | 10.67 | 10.67 | 10.67 |
| Accessories | | | | | | | | | |
| Terminal lug kit | | OZXA-200 | OZXA-400 | OZXA-800 | OZXA-30 | OZXA-28 | OZXA-28 | OZXA-28/2 | OZXA-28/2 |
| Terminal shroud | | • | • | • | • | • | — | — | — |
| Auxiliary contact | | • | • | • | • | • | • | • | • |
| Shaft/handle diameter | | 6mm .24" x .24" | 12mm .47" x .47" | 12mm .47" x .47" | 12mm .47" x .47" | 12mm .47" x .47" | 12mm .47" x .47" | 12mm .47" x .47" | 12mm .47" x .47" |
| Handle UL/NEMA type | | | | | | | | | |
| Type 1, 3R, 12 | | • | • | • | • | • | • | • | • |
| Type 1, 3R, 4, 4X, 12 | | • | • | • | • | • | • | • | • |
| Handle type | | | | | | | | | |
| Selector | | — | — | — | — | — | — | — | — |
| Pistol | | • | • | • | • | • | • | • | • |
| Recommended pistol handle length | | 65 - 80mm | 125 - 175mm | 125 - 175mm | 125 - 175mm | 125 - 175mm | 125 - 175mm | 125 - 175mm | 125 - 175mm |
| Maximum recommended shaft length | | 290mm | 595mm | 595mm | 595mm | 595mm | 595mm | 595mm | 595mm |
| Conversion kits | | | | | | | | | |
| 6 pole | | • | • | • | • | • | — | — | — |
| Transfer | | • | • | • | • | • | — | — | — |
| Bypass | | • | • | • | • | • | — | — | — |
| Mechanical interlock | | • | • | • | • | • | • | • | • |
| Electrical interlock | | • | • | • | • | • | • | • | • |

S = Standard feature
• = Available
— = Not available

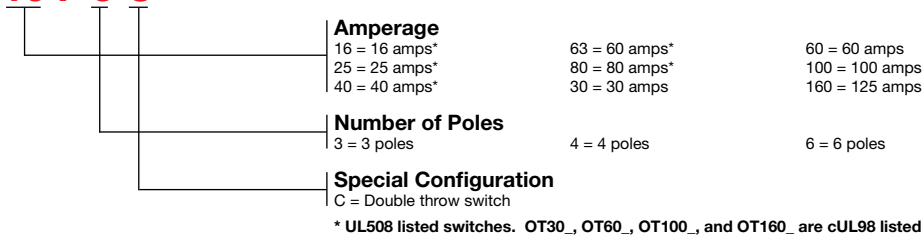
① UL listed switches are also CSA approved.
② For complete technical information please see page 18.38 – 18.70.
③ Switch only
④ IEC 947-3 Utilization Category B, Infrequent operation

Selection information

Standard part number designation ①

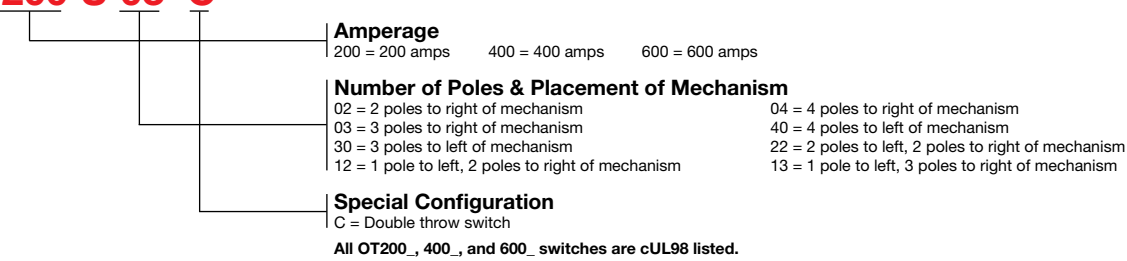
Non-Fusible OT Switches (16 to 125A)

OT 16 F 3 C



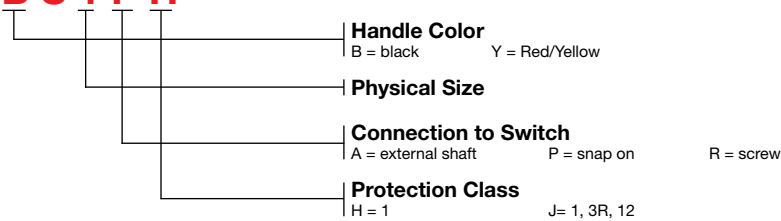
Non-Fusible OT Switches (200A and above)

OT 200 U 03 C



Selector Handles

OHB S 1 P H



Pistol Handles

OHB 65 J 6 E011



① Part designation keys are provided for reference only. Not all variations or configurations are available.

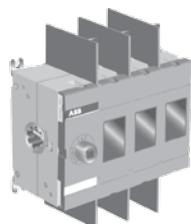
Base & DIN rail mounted ① 16A - 3150A

Disconnect
switches
Non-fusible

For a complete assembly,
please select one of each:

- 1 switch (pg. 18.5)
- 1 handle (pg. 18.6)
- 1 shaft (pg. 18.7)
- 1 terminal lug kit (pg. 18.9)

(Lug kits only necessary on switches 200A and above)



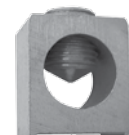
OT200U03



OXP6X210



OHB80J6



OZXA-200

| UL only | UL general purpose amp rating | IEC AC21 amp rating | 2 Pole | | 3 Pole | | 4 Pole ② | | 6 Pole ③ | | |
|---------|-------------------------------|---------------------|----------------|---------------|----------------|----------------|----------------|------------|----------------|------------|---|
| | | | Catalog number | List price | Catalog number | List price | Catalog number | List price | Catalog number | List price | |
| UL 508 | 20 | 16 | — | — | OT16F3 | \$ 66 | — | — | OT16F6 | \$ 192 | |
| | 30 | 25 | — | — | OT25F3 | 72 | — | — | OT25F6 | 204 | |
| | 40 | 40 | — | — | OT40F3 | 76 | — | — | OT40F6 | 212 | |
| | 60 | 63 | — | — | OT63F3 | 100 | — | — | OT63F6 | 260 | |
| | 80 | 80 | — | — | OT80F3 | 120 | — | — | OT80F6 | 300 | |
| UL 98 | 30 | 40 | — | — | OT30F3 | 150 | — | — | OT30F6 | 360 | |
| | 60 | 63 | — | — | OT60F3 | 175 | — | — | OT60F6 | 410 | |
| | 100 | 115 | — | — | OT100F3 | 200 | — | — | OT100F6 | 460 | |
| | 200 | -;250 | OT200U02 | \$ 560 | OT200U03 | 620 | OT200U04 | \$ 780 | — | — | — |
| | | | | | OT200U30 | 620 | OT200U40 | 780 | — | — | — |
| | | | | | OT200U12 | 620 | OT200U22 | 780 | — | — | — |
| | 400 | 630 | OT400U02 | 1,280 | OT400U03 | 1,420 | OT400U04 | 1,800 | — | — | — |
| | | | | | OT400U30 | 1,420 | OT400U40 | 1,800 | — | — | — |
| | | | | | OT400U12 | 1,420 | OT400U22 | 1,800 | — | — | — |
| | 600 | 800 | OT600U02 | 2,000 | OT600U03 | 2,200 | OT600U04 | 2,800 | — | — | — |
| | | | | | OT600U30 | 2,200 | OT600U40 | 2,800 | — | — | — |
| | | | | | OT600U12 | 2,200 | OT600U22 | 2,800 | — | — | — |
| | 800 | 1250 | OETL-NF800A2SW | 2,600 | OETL-NF800ASW | 4,200 | OETL-NF800A4SW | 5,200 | — | — | |
| | 1200 | 1600 | OETL-NF12002SW | 6,200 | OETL-NF1200SW | 6,800 | OETL-NF12004SW | 8,600 | — | — | |
| | 1600 | 2500 ④ | OETL-NF16002SW | 14,800 | OETL-NF1600SW | 16,400 | OETL-NF16004SW | 20,500 | — | — | |
| 2000 | 2500 ④ | OETL-NF20002SW | 15,500 | OETL-NF2000SW | 17,200 | OETL-NF20004SW | 21,500 | — | — | | |
| - | 3150 ④ | OETL-NF31502SW | 17,000 | OETL-NF3150SW | 18,900 | OETL-NF31504SW | 23,600 | — | — | | |

Bulk packed 3 Pole, 600V Switches

| UL only | UL general purpose amp rating | IEC AC21 amp rating | Bulk pack Quantity | Catalog number | List price |
|---------|-------------------------------|---------------------|--------------------|----------------|------------------------|
| UL508 | 20 | 16 | 50 | OT16F3/B | Consult factory |
| | 30 | 25 | 50 | OT25F3/B | |
| | 40 | 40 | 50 | OT40F3/B | |
| | 60 | 63 | 50 | OT63F3/B | |
| | 80 | 80 | 50 | OT80F3/B | |
| UL98 | 30 | 40 | 25 | OT30F3/B | Consult factory |
| | 60 | 63 | 25 | OT60F3/B | |
| | 100 | 115 | 25 | OT100F3/B | |

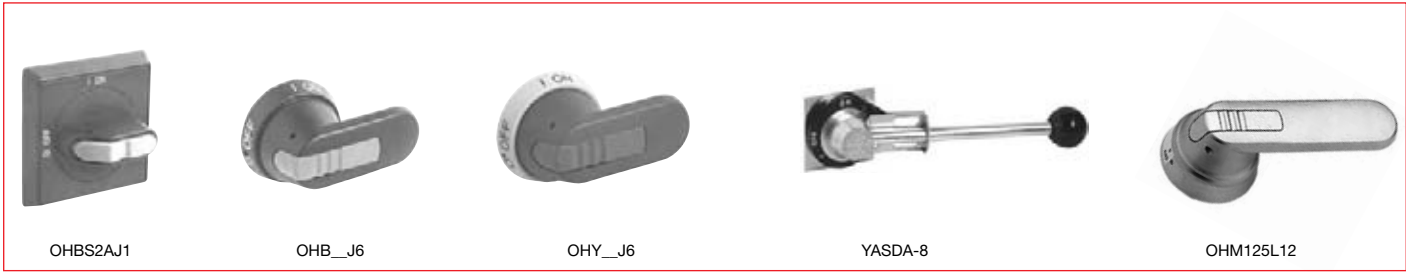
① Above 125A, base mount with screws only.

② A snap on fourth pole may be added on 16-125A switches. Reference pg. 18.9.

③ For a 6 or 8 pole switch 200 amp and above, a conversion mechanism accessory kit can be used with two 3 or 4 pole switches. Reference pg. 18.10.

④ Vertical busbar provided as standard on OETL-NF1600-OETL-NF3150 switches. For alternate back or edgewise mounting busbar, reference pg. 18.10.

Standard handles & shafts ①②



Recommended handles & shafts

| Switch | Shaft diameter | Recommended standard pistol handle length | Maximum recommended shaft length |
|-------------------|-----------------------|---|----------------------------------|
| OT16 - 100 | 6x6 mm - .24 x .24" | 45 - 65 mm | 290 mm |
| OT160 - 200 | 6x6 mm - .24 x .24" | 65 - 80 mm | 290 mm |
| OT400 - 600 | 12x12 mm - .47 x .47" | 125 - 175 mm | 595 mm |
| OETL-NF800 - 3150 | 12x12 mm - .47 x .47" | 125 - 175 mm | 595 mm |

Selector handles — for use with .24 x .24" (6mm) OXS6X shafts

| UL/NEMA Type | IEC type | Color | Marking | Defeatable | Padlockable | Weight (lbs) | Catalog number | List price |
|--------------|----------|-------|--------------|------------|-------------|--------------|----------------|--------------|
| 1 | IP54 | Black | O/I & Off/On | — | — | 0.09 | OHBS1AH1 ③ | \$ 22 |
| | | | | | Yes | 0.12 | OHBS3AH1 ③ | 24 |
| 1, 3R, 12 | IP65 | Black | O/I & Off/On | — | Yes | 0.16 | OHBS2AJ1 | 28 |
| | | | | Yes | Yes | 0.16 | OHBS2AJ | 30 |

Pistol handles — for use with .24 x .24" (6mm) OXP6X shafts

| UL/NEMA Type | IEC type | Color | Marking | Length in/mm | Defeatable | Padlockable | Weight (lbs) | Catalog number | List price |
|------------------|----------|-----------------------------|--------------|--------------|------------|-------------|--------------|----------------|--------------|
| 1, 3R, 12 | IP65 | Black | O/I & Off/On | 2.6/65 | Yes | Yes | 0.29 | OHB65J6 | \$ 80 |
| | | | | 3.1/80 | Yes | Yes | 0.30 | OHB80J6 | 90 |
| 1, 3R, 12, 4, 4X | IP66 | Black | O/I & Off/On | 2.6/65 | Yes | Yes | 0.29 | OHB65L6 | 120 |
| | | | | 3.1/80 | Yes | Yes | 0.30 | OHB80L6 | 130 |
| 1, 3R, 12, 4, 4X | IP66 | 316L Stainless steel | O/I & Off/On | 2.6/65 | Yes | Yes | 1.60 | OHM65L6 | 750 |
| 1, 3R, 12 | IP65 | Black w/ 316 stainless hasp | O/I & Off/On | 2.6/65 | Yes | Yes | 0.31 | OHB65J6EH | 250 |
| 1, 3R, 12, 4, 4X | IP66 | Black w/ 316 stainless hasp | O/I & Off/On | 2.6/65 | Yes | Yes | 0.31 | OHB65L6EH | 290 |

Pistol handles — for use with .47 x .47" (12mm) OXP12X shafts

| UL/NEMA Type | IEC type | Color | Marking | Length in/mm | Defeatable | Padlockable | Weight (lbs) | Catalog number | List price |
|------------------|----------|-----------------------------|--------------|--------------|------------|-------------|--------------|----------------|--------------|
| 1, 3R, 12 | IP65 | Black | O/I & Off/On | 4.9/125 | Yes | Yes | 0.39 | OHB125J12 | \$ 90 |
| | | | | 5.7/145 | Yes | Yes | 0.39 | OHB145J12 | 90 |
| | | | | 6.9/175 | Yes | Yes | 0.41 | OHB175J12 | 100 |
| 1, 3R, 12, 4, 4X | IP66 | Black | O/I & Off/On | 4.9/125 | Yes | Yes | 0.39 | OHB125L12 | 130 |
| | | | | 5.7/145 | Yes | Yes | 0.39 | OHB145L12 | 130 |
| | | | | 6.9/175 | Yes | Yes | 0.41 | OHB175L12 | 140 |
| 1, 3R, 12, 4, 4X | IP66 | Metal | Off/On | 8.7/220 | -- | Yes | 1.50 | YASDA-8 | 190 |
| 1, 3R, 12, 4, 4X | IP66 | 316L Stainless steel | O/I & Off/On | 4.9/125 | Yes | Yes | 1.70 | OHM125L12 | 900 |
| | | | | 6.9/175 | Yes | Yes | 1.80 | OHM175L12 | 1,100 |
| | | | | 2.75 | Yes | Yes | 2.10 | OHM275L12 | 1,200 |
| 1, 3R, 12 | IP65 | Black w/ 316 stainless hasp | O/I & Off/On | 4.9/125 | Yes | Yes | 0.44 | OHB125J12EH | 280 |
| | | | | 6.9/175 | Yes | Yes | 0.46 | OHB175J12EH | 330 |
| 1, 3R, 12, 4, 4X | IP66 | Black w/ 316 stainless hasp | O/I & Off/On | 4.9/125 | Yes | Yes | 0.44 | OHB125L12EH | 330 |
| | | | | 6.9/175 | Yes | Yes | 0.46 | OHB175L12EH | 390 |

Direct mount handle

| Description | For use on | Color | Padlockable | Weight | Catalog number | List price |
|---|-------------------------|-------|-------------|--------|----------------|--------------|
| Mounts directly on switch. No shaft necessary | OT16-40 | Black | Yes | 0.05 | OHBS12 ④ | \$ 17 |
| | OT63-80 | | | | | |
| | OT30-100 | | | | | |
| Mounts directly on switch. No shaft necessary | OT160 | Black | Yes | 0.05 | OHB13 | 22 |
| Up to 3 padlocks in OFF-position, includes shaft and mechanism | OT200 | Black | Yes | 0.22 | OTV250EK | 105 |
| | OT400 | Black | Yes | 0.44 | OTV400EK | 130 |
| | OT600 | Black | Yes | 0.66 | OTV800EK | 155 |
| Mounts on shaft | OT400-OETL-NF800 | Metal | No | 0.78 | YASDA-33 | 155 |
| | OETL-NF1200-OETL-NF3150 | Metal | No | 0.80 | YASDA-34 | 180 |

① Red/Yellow handles are available by substituting the OHB prefix with OHY.
 ② All handles are plastic unless otherwise noted as metal or stainless steel.
 ③ Not recommended for use on OT30-100.
 ④ Suitable for 3 & 4 pole versions only. Not for use with 6 or 8 pole or double throw configurations.

Standard handles & shafts

Disconnect
switches
Non-fusible



Shafts for use with selector handles – .24 x .24" (6x6 mm)

| Shaft length (in/mm) | Maximum Mounting Depth (inches) ① | | | | | Weight | Catalog number | List price |
|----------------------|-----------------------------------|-------|----------------|-------|-------------------------|--------|----------------|-------------|
| | OT16F3, OT25F3, OT40F3 | | OT63F3, OT80F3 | | OT30F3, OT60F3, OT100F3 | | | |
| | OH_1_ & OH_3_ | OH_2_ | OH_1_ & OH_3_ | OH_2_ | OH_2_ | | | |
| 3.3/85 | 5.0 | 4.3 | 5.6 | 5.0 | 5.0 | 0.07 | OXS6X85 | \$ 4 |
| 4.1/105 | 5.8 | 5.1 | 6.4 | 5.8 | 5.8 | 0.07 | OXS6X105 | 4 |
| 4.7/120 | 6.4 | 5.8 | 7.0 | 6.4 | 6.4 | 0.08 | OXS6X120 | 4 |
| 5.1/130 | 6.7 | 6.1 | 7.4 | 6.8 | 6.8 | 0.08 | OXS6X130 | 6 |
| 7.1/180 | 8.7 | 8.1 | 9.4 | 8.7 | 8.7 | 0.11 | OXS6X180 | 6 |
| 9.8/250 | 11.5 | 10.8 | 12.1 | 11.5 | 9.9 | 0.13 | OXS6X250 | 12 |
| 13/330 | 14.6 | 14.0 | 15.3 | 14.7 | 14.6 | 0.17 | OXS6X330 | 20 |

Shafts for use with pistol handles – .24 x .24" (6x6 mm)

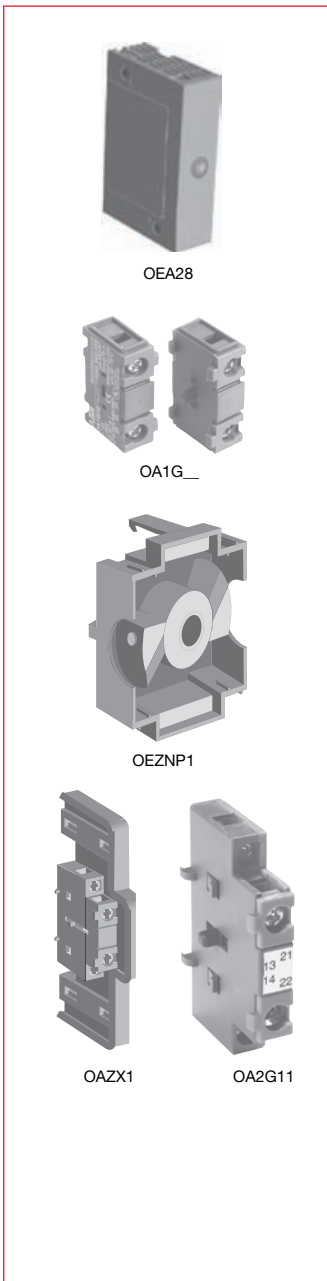
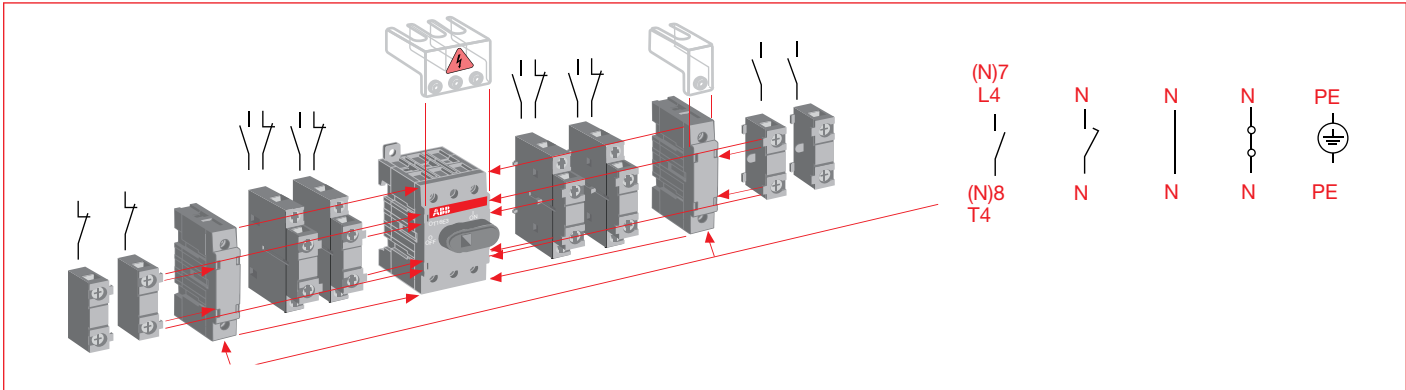
| Shaft length (in/mm) | Maximum Mounting Depth (inches) | | | | | Weight | Catalog number | List price |
|----------------------|---------------------------------|---------------|----------------|---------|-------|--------|----------------|--------------|
| | OT16F3 - OT40F3 | OT63F3-OT80F3 | OT30F3-OT100F3 | OT160E3 | OT200 | | | |
| 5.2/130 | 5.9 | 6.4 | 6.7 | 6.0 | 6.5 | 0.08 | OSP6X130 | \$ 12 |
| 5.9/150 | 6.7 | 7.4 | 7.0 | 6.7 | 7.2 | 0.09 | OSP6X150 | 12 |
| 8.3/210 | 9.1 | 9.7 | 9.8 | 9.1 | 9.6 | 0.13 | OSP6X210 | 16 |
| 11.4/290 | 12.2 | 12.8 | 12.9 | 12.2 | 12.7 | 0.18 | OSP6X290 | 20 |
| 14.2/360 | 14.9 | 13.8 | 15.6 | 15.0 | 15.5 | 0.23 | OSP6X360 | 24 |
| 16.9/430 | 17.6 | 18.3 | 18.3 | 17.8 | 18.2 | 0.27 | OSP6X430 | 28 |

Shafts for use with pistol handles – .47 x .47" (12x12 mm)

| Shaft length (in/mm) | Maximum Mounting Depth (inches) | | | | Weight | Catalog number | List price |
|----------------------|---------------------------------|-------|--------------------------|-------------------------|--------|----------------|--------------|
| | OT400 | OT600 | OETL-NF800 – OETL-NF1200 | OETL-NF1600-OETL-NF3150 | | | |
| 11.0/280 | 13.3 | 14.6 | 14.5 | — | 0.77 | OSP12X280 | \$ 36 |
| 12.8/325 | 15.0 | 16.4 | 16.3 | 20.9 | 0.90 | OSP12X325 | 40 |
| 15.6/395 | 20.5 | 19.1 | 19.1 | 23.6 | 1.10 | OSP12X395 | 44 |
| 18.3/465 | 21.9 | 21.8 | 21.9 | 26.3 | 1.32 | OSP12X465 | 48 |
| 21.1/535 | 22.8 | 24.6 | 24.6 | 29.1 | 1.54 | OSP12X535 | 52 |

① Mounting depth is distance from the outside of the door to the disconnect switch mounting plate. Shaft can be cut to desired length.

Standard non-fusible accessories Base and DIN rail mounted switches



Auxiliary contacts — snap-on mounting ①

| Description | For Use On | Weight | AC Thermal amp rating | AC rated voltage | Catalog number | List price |
|--|-----------------------|--------------|-----------------------|------------------|------------------|------------|
| 1 N.O. | OT16-100, OT200-600 | 0.07 | 10 | 600 | OA1G10 | \$ 20 |
| 1 N.C. | OT16-100 OT200-600 | 0.07 0.07 | 10 10 | 600 600 | OA1G01 OA3G01 | 20 20 |
| 1 N.O. & 1 N.C. | OT16-160 | 0.07 | 10 | 600 | OA2G11 | 40 |
| Mounting Base - required for OA2G11 on OT160 | OT160 | 0.06 | - | - | OAZX1 | 20 |
| Module for auxiliary contacts | OT200-600 | 0.1 | - | - | OEA28 | 50 |

Auxiliary contacts — top mounting

| Description | For Use On | Weight | AC Thermal amp rating | AC rated voltage | Catalog number | List price |
|---|--------------------------------|--------------|-----------------------|------------------|------------------------|------------|
| 1 N.O. | OEZNP1 | 0.07 | 10 | 600 | OBEA-10 | \$ 28 |
| 1 N.C. | OT160 | 0.07 | 10 | 600 | OBEA-01 | 28 |
| 1 N.O. gold plated ② | OEZNP1 & OT160 | 0.07 0.07 | 10 10 | 600 600 | OBEA-10AU OBEA-01AU | 56 56 |
| Mounting Base - required for OBEA_ | OBEA_ contacts used with OT160 | 0.06 | - | - | OEZNP1 | 20 |
| 1 pkg. of 10 blank numbering labels for OBEA- ③ | OT160 OT160 | - - | - - | - - | OBEA-ZX10 OBEA-ZX01 | 32 32 |

Auxiliary contacts — front mounting ④

| Description | For Use On | Weight | AC Thermal amp rating | AC rated voltage | Catalog number | List price |
|-----------------|--------------------------------|--------|-----------------------|------------------|----------------|------------|
| 1 N.O. + 1 N.C. | OETL-NF800 through OETL-NF3150 | 0.2 | 10 | 600 | OZXK-1 | \$ 100 |
| 2 N.O. + 2 N.C. | | 0.26 | 10 | 600 | OZXK-2 | 170 |
| 4 N.O. + 4 N.C. | | 0.4 | 10 | 600 | OZXK-3 | 340 |
| 2 N.O. | OETL-NF3150 | 0.18 | 10 | 600 | OZXK-4 | 100 |
| 4 N.O. | | 0.25 | 10 | 600 | OZXK-5 | 170 |
| 8 N.O. | | 0.4 | 10 | 600 | OZXK-6 | 340 |

Mounting & installation considerations

| | |
|-----------|---|
| OT16-100 | OA1G10 (1 N.O.) mounts on right side of switch only OA1G01 (1 N.C.) mounts on left side of switch only OA2G11 (1 N.O. & 1 N.C.) mounts on left of right side of switch Maximum two contacts on each side of switch |
| OT160 | Accepts four contacts maximum Mounting base always required Maximum two side mounted contacts on each side of switch. One mounting base required for each side |
| OT200-600 | Maximum 8 auxiliary contact blocks with the OEA28 module Maximum 4 auxiliary contact blocks mounting under the mechanisms |

① UL file #E83510

② Type _AU for low energy applications. The contacts are gold plated, AC & DC ratings - Maximum: A600 & P600; Minimum: 12V, 1mA; 5V; 2mA

③ Numbering stickers required if several OBEA contacts are used in the same installation.

④ UL File #E5707

Standard non-fusible accessories

Base & DIN rail mounted switches

Disconnect
switches
Non-fusible



Additional poles ①

Power poles - Only one power pole per switch: mounts on left or right side of switch. (OTPS40FPN1 mounts to left side only.)

| Description | For use on | Weight | AC Thermal amp rating | AC rated voltage | Catalog number | List price |
|-------------------------------|------------|--------|-----------------------|------------------|----------------|------------|
| Fourth Pole | OT16-OT40 | 0.07 | 40 | 600 | OTPS40FPN1 | \$ 36 |
| | OT30-OT60 | 0.13 | 60 | | OTPS60FP | 46 |
| | OT63-OT80 | 0.13 | 80 | | OTPS80FP | 44 |
| | OT100 | 0.31 | 100 | | OTPS125FP | 54 |
| | OT160 | 0.66 | 125 | | OTPS160EP | 100 |
| Late-break/ early-make | OT16-OT40 | 0.07 | 40 | 600 | OTPL40FP | 36 |
| | OT30-OT60 | 0.13 | 60 | | OTPL60FP | 46 |
| | OT63-OT80 | 0.13 | 80 | | OTPL80FP | 44 |
| | OT100 | 0.31 | 100 | | OTPL125FP | 54 |
| | OT160 | 0.66 | 125 | | OTPL160EP | 100 |

Terminal poles - Switch accepts one terminal pole per side: mounts on left or right side of switch.

| Description | For use on | Weight | AC Thermal amp rating | AC rated voltage | Catalog number | List price |
|------------------------|------------|--------|-----------------------|------------------|----------------|------------|
| Solid neutral | OT16-OT40 | 0.07 | 40 | 600 | OTPN40FP | \$ 20 |
| | OT63-OT80 | 0.13 | 80 | | OTPN80FP | 36 |
| | OT30-OT100 | 0.31 | 100 | | OTPN125FP | 50 |
| | OT160 | 0.66 | 125 | | OTPN160EP | 100 |
| Detachable Neutral | OT16-OT40 | 0.07 | 40 | 600 | OTPD40FP | 28 |
| | OT30-OT60 | 0.13 | 60 | | OTPD60FP | 38 |
| | OT63-OT80 | 0.13 | 80 | | OTPD80FP | 36 |
| | OT100 | 0.31 | 60 | | OTPD125FP | 50 |
| Ground Terminal | OT16-OT40 | 0.07 | 40 | 600 | OTPE40FP | 20 |
| | OT30-OT60 | 0.13 | 60 | | OTPE60FP | 38 |
| | OT63-OT80 | 0.13 | 80 | | OTPE80FP | 36 |
| | OT100 | 0.31 | 100 | | OTPE125FP | 50 |
| | OT160 | 0.66 | 125 | | OTPE160EP | 100 |

Terminal lugs ②

| For Use On | Wire Size | Wire Type | Lugs/Kit | Weight (lbs) | Catalog number | List price |
|------------------|--------------------------------|-----------|----------|--------------|----------------|------------|
| OT200 | #4 - 300 kcmil | Cu/Al | 6 | 0.50 | OZXA-200 | \$ 80 |
| | #4 - 300 kcmil | | 3 | 0.25 | OZXA-200/3 | 40 |
| | (6) 14-6 AWG | | 3 | 0.25 | OZXA-206T | 200 |
| OT400 | #2 - 600 kcmil | Cu/Al | 6 | 0.50 | OZXA-400 | 190 |
| | #2 - 600 kcmil | | 3 | 0.25 | OZXA-400/3P | 100 |
| | (2) #4 - 300 kcmil | | 6 | 0.50 | OZXA-402 | 210 |
| | (6) #14 - 6 AWG | | 3 | 0.50 | OZXA-406 | 270 |
| OT600 | (2) #2 - 600 kcmil | Cu/Al | 6 | 0.50 | OZXA-800 | 360 |
| | (2) #2 - 600 kcmil | | 3 | 0.50 | OZXA-800/3 | 180 |
| OETL-NF800A | (2) #2 - 600 kcmil | Cu/Al | 6 | 6.90 | OZXA-30 | 740 |
| | (2) #2 - 600 cmil | | 3 | 3.45 | OZXA-30/3P | 370 |
| | (8) 2/0 + (2) #2 - 600 kcmil ③ | | 3 | 6.90 | OZXA-32 | 600 |
| OETL-NF1200-1600 | (4) #2 - 600 kcmil | Cu/Al | 6 | 10.44 | OZXA-28 | 1,000 |
| | (4) #2 - 600 kcmil | | 3 | 5.22 | OZXA-28/3 | 500 |
| | (8) 2/0 + (2) #2 - 600 kcmil ③ | | 3 | 10.44 | OZXA-32 | 600 |
| OETL-NF2000-3150 | (8) #2 - 600 kcmil | Cu/Al | 12 | 20.88 | OZXA-28/2 | 2,000 |

Terminal shrouds

| Description | For Use On | Weight | Catalog number | List price |
|---|-------------|--------|----------------|------------|
| 3 pole includes one shroud for line or load side | OT16-OT40 | 0.02 | OTS40T3 | \$ 8 |
| | OT63-OT80 | 0.02 | OTS80T3 | 20 |
| | OT30-OT100 | 0.02 | OTS125T3 | 20 |
| 4th pole includes one shroud for line or load side | OTPS40FPN1 | 0.03 | OTS40T1 | 4 |
| | OTPS80FP | 0.03 | OTS80T1 | 6 |
| | OTPS125FP | 0.03 | OTS125T1 | 10 |
| 3 pole long type shrouds | OT200 | 0.2 | OTS250G1L/3 | 50 |
| 3 pole short type shrouds | | 0.13 | OTS250G1S/3 | 50 |
| 4 pole long type shrouds | | 0.26 | OTS250G1L/4 | 65 |
| 4 pole short type shrouds | | 3.18 | OTS250G1S/4 | 65 |
| 3 pole includes one shroud for line or load side ④ | | OT400 | 0.33 | OTS403 |
| | OT600 | 0.33 | OTS603 | 190 |
| 3 pole includes one shroud for line or load side ④ | OETL-NF800A | 0.88 | OETL-ZX800A | 180 |
| | OETL-NF1200 | 1.2 | OETL-ZX119 | 220 |

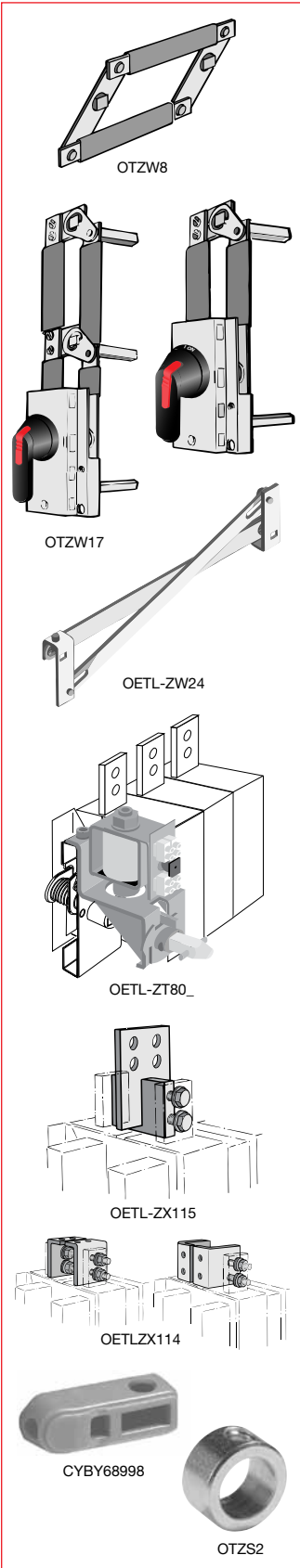
① Switches accept only one power pole or one terminal pole per side. Only one power pole per switch.

② Lugs are integral to the switch for 16-125A. No separate lug kit accessory is required.

③ A load side distribution lug eliminates the need to purchase, install and wire a separate distribution block.

④ For 4 pole shrouds, please consult factory.

Standard non-fusible accessories Base and DIN rail mounted switches



Conversion Mechanisms

| Mechanism Type | For use on | Weight | UL/Nema Type | Catalog number | List price |
|---------------------------------|---------------------------|--------|-------------------------------|-----------------------|--------------------------|
| 6 or 8 pole mechanisms | OT16-100 | 0.33 | - | OTZW8 | \$ 60 |
| | OT160 | 1.52 | - | OETL-ZK19 | 40 |
| | OT200 | 1.52 | - | OESA-ZW2 | 220 |
| | OT400 – OETL-NF1200 | 2.42 | - | OETL-ZW9 | 260 |
| Double throw mechanisms | OT16 - 160 | 2.20 | 1, 3R, 12 1, 3R, 12, 4, 4X | OESA-ZW1 OESA-ZW1X | 300 340 |
| | OT200 | 2.20 | 1, 3R, 12 1, 3R, 12, 4, 4X | OTZW25 OTZW25X | 790 840 |
| | OT400 – OETL-NF1200 | 10.10 | 1, 3R, 12, 4, 4X | OETL-ZW12 | 560 |
| Bypass mechanisms | OT16-OT100 | 1.54 | 1, 3R, 12 1, 3R, 12, 4, 4X | OTZW17 OTZW17X | 340 380 |
| | OT200 | 7.28 | 1, 3R, 12 | OTZW26 | 950 |
| | OT400 – OETL-NF1200 | 8.81 | 1, 3R, 12, 4, 4X | OETL-ZW13 | 560 |
| Mechanical interlock mechanisms | OT16-OT100 | 0.33 | - | OTZW24 | 80 |
| | OT160-200 | 0.55 | - | OTZW10 | 100 |
| | OT400 – OETL-NF800 | 1.26 | - | OETL-ZW3 | 140 |
| | OETL-NF1200 – OETL-NF3150 | 2.64 | - | OETL-ZW15 | 160 |

Miscellaneous Accessories & Replacement Parts

Shaft Accessories

| Accessory Type | Description | For Use On | Weight | Catalog number | List price |
|-------------------------|---|----------------|--------|----------------|--------------|
| Shaft Adapter | Adapts one end of a 6mm shaft to 12mm (use with shaft extension coupler) | 6mm shafts | 0.20 | OETL-ZK19 | \$ 40 |
| Shaft Extension Coupler | Joins two shafts together for applications where extended length is required | 6mm shafts | 0.26 | OESA-ZX167 | 56 |
| | | 12mm shafts | 0.26 | OETL-ZX95 | 100 |
| Shaft Guide | Fits all pistol grip handles, mounts on the inside of the enclosure door with provided hardware | pistol handles | - | OHZX10 | 12 |

Busbar Connections

| Accessory Type | Description | For Use On | Weight | Catalog number | List price |
|--------------------|---------------------------------------|--------------------|--------|----------------|-----------------|
| Busbar Connections | Vertical, back or edgewise mounting ① | OETL-NF1600 – 3150 | 46.2 | OETL-ZX115 | \$ 3,916 |
| | | | 31.0 | OETL-ZX114 | 2,820 |

Locking Accessories

| Accessory Type | Description | For Use On | Weight | Catalog number | List price |
|----------------------|---|--------------------|--------|----------------------------|----------------------------|
| Cam Attachment | For Kirk Key, Castell, Low & Fletcher and Ronis interlock. For adapting to the interlock system. The interlock is not included. | 12mm shafts | 0.29 | OETL-ZW5 | \$ 190 |
| Electrical Interlock | Closed circuit principle for interlocking the switch movement. When the coil circuit is dead, A-types cannot be operated to O-position and L-types cannot be operated to ON- or OFF-position. Coil voltages 110VAC, 220 VAC, 24VDC, 48VDC, 60VDC, 110VDC, 220VDC, P - 15W U = 0.7 - 1.1 Un (U = coil voltage, Un = nominal voltage) | OETL-NF800 – 3150A | 2.42 | OETL-ZT80AΔ OETL-ZT80LΔ | 1280 1220 |

Δ = Coil Voltage

Replacement Parts

| Accessory Type | Description | For Use On | Catalog number | List price |
|----------------|---|------------|----------------|--------------|
| Metal collar | Replaces original black knob for locking shaft in place | OT16-200 | OTZS2 | \$ 13 |
| Set Screw | Set screw for use with knob or collar | OT16-100 | FLSWM5X8AX | 2 |
| | | OT200 | FLSWM5X6X | 2 |

① Vertical busbar is provided as standard on OETL-NF1600 through OETL-NF3150 switches.

Door mounted ①

16 - 100A

Disconnect
switches
Non-fusible

For a complete assembly,
please select one of each: ②

1 switch (pg. 18.11)

1 handle (pg. 18.11)



OT63FT3



OHBS2RJ

| UL only | UL general purpose amp rating | IEC AC21 amp rating | 3 Pole ③ | | Bulk packs | | |
|---------|-------------------------------|---------------------|----------------|------------|--------------------|--------------------------|------------------------|
| | | | Catalog number | List price | Bulk pack quantity | Bulk pack Catalog number | List price |
| UL508 | 20 | 16 | OT16FT3 | \$ 70 | 50 | OT16FT3/B | Consult factory |
| | 30 | 25 | OT25FT3 | 76 | 50 | OT25FT3/B | |
| | 40 | 40 | OT40FT3 | 80 | 50 | OT40FT3/B | |
| | 60 | 63 | OT63FT3 | 104 | 50 | OT63FT3/B | |
| | 80 | 80 | OT80FT3 | 124 | 50 | OT80FT3/B | |
| UL98 | 30 | 40 | OT30FT3 | 154 | 25 | OT30FT3/B | |
| | 60 | 63 | OT60FT3 | 179 | 25 | OT60FT3/B | |
| | 100 | 115 | OT100FT3 | 204 | 25 | OT100FT3/B | |
| | | | | | 25 | OT100FT3/B | |

Selector handles for door mounted switches

| UL/NEMA Type | IEC Type | Color | Defeatable | Padlockable | Weight (lbs) | Catalog number | List price |
|---|----------|-------|------------|-------------|--------------|----------------|------------|
| Snap-on Mounting - for use on OT16FT3 - OT40FT3 | | | | | | | |
| 1 | IP54 | Black | — | — | 0.10 | OHBS1PH | \$ 22 |
| | | | | Yes | 0.13 | OHBS3PH | 24 |
| 1, 3R, 12 | IP65 | Black | — | Yes | 0.17 | OHBS2PJ | 28 |
| Screw mounting - for use on OT16FT3 - OT100FT3. For OT30, OT60, and OT100 use OH_ _2_ only | | | | | | | |
| 1 | 1P54 | Black | — | — | 0.11 | OHBS1RH | \$ 22 |
| | | | | Yes | 0.14 | OHBS3RH | 24 |
| 1, 3R, 12 | IP65 | Black | — | Yes | 0.18 | OHBS2RJ | 28 |

Pistol grip handle adapter ④

| Description | For use on | Weight (lbs) | Catalog number | List price |
|--------------------------------------|------------|--------------|----------------|------------|
| Adapter piece for pistol grip handle | OT30-100 | 0.18 | OHZX6 | \$ 20 |

Includes hardware and shaft for pistol grip handles. Pistol handle must be ordered separately (see pg. 18.6)

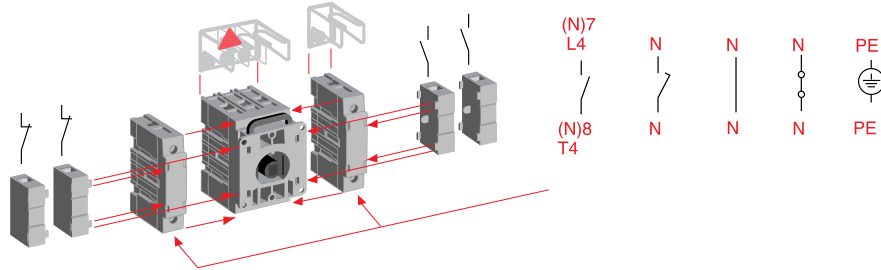
① Door mounted switches do not provide door interlock

② Door mounted switches do not require shafts

③ A snap on fourth pole may be added - please reference accessories pg. 18.8

④ The environmental rating of the pistol handle derates to NEMA 1 when used in conjunction with the OHZX6 adapter.

Standard non-fusible accessories Door mounted switches



Auxiliary contacts ① — snap-on mounting

| Description | For use on: | Weight (lbs) | AC thermal amp rating | AC rated voltage | Catalog number | List price |
|---|--------------|--------------|-----------------------|------------------|----------------|------------|
| 1 N.O. mounts on right hand side of switch | OT16 – OT100 | 0.07 | 10 | 600 | OA1G10 | \$ 20 |
| 1 N.C. mounts on left hand side of switch | | 0.07 | 10 | 600 | OA1G01 | 20 |

Max. two contacts on each side of switch.

Power poles

Switch accepts one terminal pole per side: mounts on left or right side of switch. (OTPS40FDN1 mounts to left side only.)

| Description | For use on: | Weight (lbs) | AC thermal amp rating | AC rated voltage | Catalog number | List price |
|-----------------------|------------------|--------------|-----------------------|------------------|----------------|------------|
| Fourth pole | OT16, OT25, OT40 | 0.07 | 40 | 600 | OTPS40FDN1 | \$ 36 |
| | OT30-OT60 | 0.13 | 60 | | OTPS60FD | 46 |
| | OT63, OT80 | 0.13 | 80 | | OTPS80FD | 44 |
| | OT100 | 0.20 | 100 | | OTPS125FD | 54 |
| Late-break/early-make | OT16, OT25, OT40 | 0.07 | 40 | 600 | OTPL40FD | 36 |
| | OT63, OT80 | 0.13 | 80 | | OTPL80FD | 44 |
| | OT100 | 0.20 | 100 | | OTPL125FD | 54 |

Terminal poles

Switch accepts one terminal pole per side: mounts on left or right side of switch

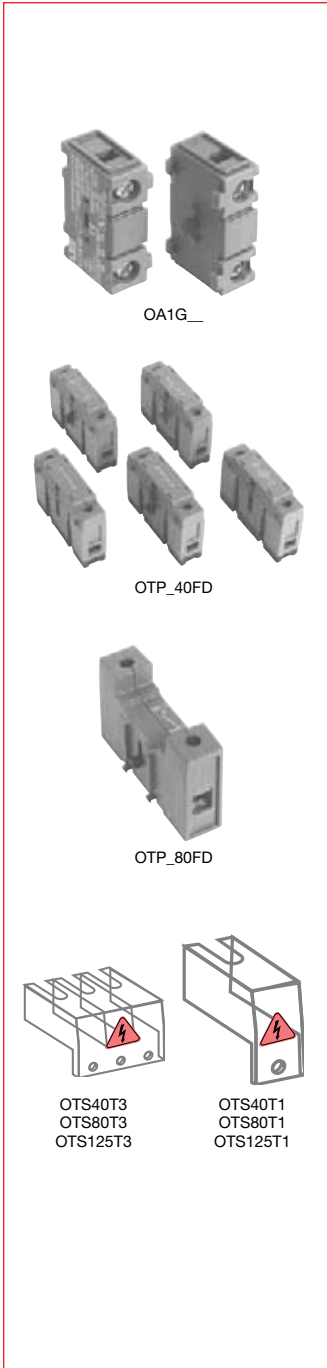
| Description | For use on: | Weight (lbs) | AC thermal amp rating | AC rated voltage | Catalog number | List price |
|--------------------|------------------|--------------|-----------------------|------------------|----------------|------------|
| Solid neutral | OT16, OT25, OT40 | 0.07 | 40 | 600 | OTPN40FD | \$ 20 |
| | OT30-OT60 | 0.13 | 60 | | OTPN60FD | 38 |
| | OT63, OT80 | 0.13 | 80 | | OTPN80FD | 36 |
| | OT100 | 0.20 | 100 | | OTPN125FD | 50 |
| Detachable neutral | OT16, OT25, OT40 | 0.07 | 40 | 600 | OTPD40FD | 28 |
| | OT30-OT60 | 0.13 | 60 | | OTPD60FD | 38 |
| | OT63, OT80 | 0.13 | 80 | | OTPD80FD | 36 |
| Ground terminal | OT16, OT25, OT40 | 0.07 | 40 | 600 | OTPE40FD | 20 |
| | OT30-OT60 | 0.13 | 60 | | OTPE60FD | 38 |
| | OT63, OT80 | 0.13 | 80 | | OTPE80FD | 36 |
| | OT100 | 0.20 | 100 | | OTPE125FD | 50 |

Terminal shrouds — snap-on mounting for line or load side ②

| Description | For use on: | Weight (lbs) | Catalog number | List price |
|---|-------------------|--------------|----------------|------------|
| 3 pole includes one shroud for line or load side | OT16, OT25, OT40 | 0.02 | OTS40T3 | \$ 8 |
| | OT63, OT80 | 0.02 | OTS80T3 | 20 |
| | OT30, OT60, OT100 | 0.02 | OTS125T3 | 20 |
| 4th pole includes one shroud for line or load side | OTP_40FD | 0.02 | OTS40T1 | 4 |
| | OTP_80FD | 0.02 | OTS80T1 | 6 |
| | OTP_125FD | 0.02 | OTS125T1 | 10 |

① UL File # E83510

② ABB switches are IP20 touchsafe as standard. Shrouds provide an extra degree of protection.



Special configurations

Shaft operated flange

30A - 100A

Disconnect
switches
Non-fusible



Switch



Handle



Shaft



OT100F3



DSFHN-HS12



DSFHS-12

30A -100A Flange operated – non fusible switches (Shaft) - 3 pole

| UL general purpose amp rating | Catalog number | List price |
|-------------------------------|----------------|---------------|
| 30 | OT30F3-F | \$ 500 |
| 60 | OT60F3-F | 590 |
| 100 | OT100F3-F | 690 |

Flange handles – for use with OT30_, OT60_, OT100

| UL/ NEMA type | Marking | Defeatable | Padlockable | Catalog number | List price |
|--------------------|---------|------------|-------------|----------------|---------------|
| 1, 3R, 12 4, 4X | OFF/ON | Yes | Yes | DSFHN-HS12 | \$ 156 |
| | OFF/ON | Yes | Yes | DSFHN-HS4 | 240 |

Shafts

| For use with: | Maximum enclosure depth (inches) | Catalog number | List price |
|----------------|----------------------------------|----------------|--------------|
| OT30_ - OT100_ | 16 | OTFS-16 | \$ 25 |
| OT30_ - OT100_ | 24 | OTFS-24 | 30 |

Door hardware NEMA 12

| Item | Catalog number | List price |
|--|----------------|---------------|
| Safety door latch, 2 point, door less than 40" high | KDH2R | \$ 200 |
| Safety door latch, 2 point, door greater than 40" high | KDH3R | 225 |

Flange operated fusible and non-fusible disconnect switches

ABB's solution for complying with the new NFPA79 requirements is Flange Operated Fusible and Non-fusible Disconnect Switches.

New 2002 NFPA 79 changes requires main disconnecting means to be operable without the use of accessory tools or devices, independent of door position. This code also includes an interlocking provision to prevent the closing of disconnects while the enclosure door is open, unless an interlock is operated by a deliberate action.

The flange operated disconnect switches are available as ridged shaft or flexible cable operated versions. The cable operated version allows you to install the disconnect switch anywhere in the enclosure depending on the length of the cable. Cables are available in lengths up to 84 inches.

The designs are cost-effective NFPA 79 solutions offering quick and easy installation.

Discount schedule H1 [D1]: NF16A - 100A

Discount schedule H2 [D2]: NF125A - 800A

Discount schedule H6 [DH]: Handles, shafts, accessories and lug kits

Discount schedule SH [SH]: Door hardware kits

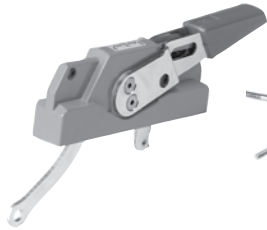
Special configurations

Cable operated flange

30A - 200A



Switch



Handle



Cable



Lug kit (as required)



Operating mechanism



OT100F3



OHF1C12



OXC1L36-
OXC1L84

Non-fusible

| UL general purpose amp rating | Catalog number | List price |
|-------------------------------|----------------|------------|
| 30 | OT30F3 | \$ 150 |
| 60 | OT60F3 | 175 |
| 100 | OT100F3 | 200 |
| 125 | OT160E3 | 420 |
| 200 | OT200U30 | 620 |

Flange handles – UL98; UL file #E101914

| For use with: | Environmental rating | Catalog number | List price |
|---------------------------------|------------------------------|-------------------|---------------|
| OT30 - 100F3, OT160E3, OT200U30 | NEMA 1, 3R, 12 NEMA 4, 4X | OHF1C12 OHF1C4 | \$ 213 243 |

Flexible cables

| For use with: | Cable length (inches) | Catalog number | List price |
|------------------------------------|-----------------------|----------------|------------|
| OT30 - 100F3, OT160E3, OT200U30 | 36 | OXC1L36 | \$ 114 |
| | 48 | OXC1L48 | 146 |
| | 60 | OXC1L60 | 160 |
| | 72 | OXC1L72 | 175 |
| | 84 | OXC1L84 | 204 |

Operating mechanisms

| For use with: | Catalog number | List price |
|---------------|----------------|------------|
| OT30 - 100F3 | MKCS1 | \$ 135 |
| OT160E3 | MKCS3 | 162 |
| OT200U30 | MKCS4 | 171 |

Terminal lug kits

| For use with | Wire size | Wire type | Description | Lugs per kit | Catalog number | List price |
|--------------|----------------|-----------|------------------|--------------|----------------|------------|
| OT200U30 | #4 - 300 kcmil | Cu/Al | — | 6 | OZXA-200 | \$ 80 |
| | #4 - 300 kcmil | Cu/Al | — | 3 | OZXA-200/3 | 40 |
| | (6) #4-6 AWG | Cu/Al | Distribution lug | 3 | OZXA-206S | 200 |

Door hardware – NEMA 12

| Item | Catalog number | List price |
|--|----------------|------------|
| Safety door latch, 2 point, door less than 40" high | KDH2R | \$ 200 |
| Safety door latch, 3 point, door greater than 40" high | KDH3R | 200 |

Special configurations

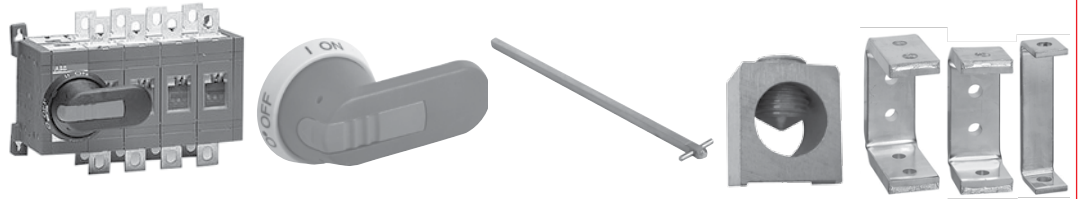
Double throw switches

16A - 600A

Disconnect
switches
Non-fusible

For a complete assembly,
please select one of each:

- 1 switch (pg. 18.15)
- 1 handle (pg. 18.16)
- 1 shaft (pg. 18.16)
- 1 terminal lug kit (pg. 18.15)
- 1 bridging bar (pg. 18.15)



(Lug kits only necessary on switches 200A and above)

OT200U04C

OHY_J6E011

OXS6X_

Lug kit (as required)

Bridging bars



OT63F3C



OHBS2AJE011



OHB_J6E011



OHY_J6E011



OXS6X_

| UL only | UL general purpose amp rating | IEC AC21 amp rating | 3 Pole | | 4 Pole ① | |
|---------|-------------------------------|---------------------|----------------|------------|----------------|------------|
| | | | Catalog number | List price | Catalog number | List price |
| UL508 | 20 | 16 | OT16F3C | \$ 258 | — | — |
| | 30 | 25 | OT25F3C | 270 | — | — |
| | 40 | 40 | OT40F3C | 288 | — | — |
| | 60 | 63 | OT63F3C | 328 | — | — |
| | 80 | 80 | OT80F3C | 368 | — | — |
| UL98 | 30 | 40 | OT30F3C | 428 | — | — |
| | 60 | 63 | OT60F3C | 478 | — | — |
| | 100 | 115 | OT100F3C | 514 | — | — |
| | 200 | 250 | OT200U03C | 1,850 | OT200U04C | \$ 2,100 |
| | | | OT200U30C | 1,850 | OT200U40C | 2,100 |
| | 400 | 630 | OT400U03C | 3,250 | OT400U04C | 3,550 |
| | | | OT400U30C | 3,250 | OT400U40C | 3,550 |
| | 600 | 800 | OT600U03C | 4,800 | OT600U04C | 5,500 |
| | | | OT600U30C | 4,800 | OT600U40C | 5,500 |

Bridging busbar kits — required for OT200_C through OT600_C ②

| Description | For Use On: | Catalog number | List price |
|-------------|-------------|----------------|------------|
| 3 Pole Kit | OT200_C | OTZC13 | \$ 80 |
| | OT400_C | OTZC23 | 160 |
| | OT600_C | OTZC33 | 240 |
| 4 Pole kit | OT200_C | OTZC14 | 110 |
| | OT400_C | OTZC24 | 220 |
| | OT600_C | OTZC34 | 330 |

Bridging bars are required on 200-600A double throw switches to operate as standard double throw switches. Otherwise, they will operate as two mechanically interlocked switches.

① A snap on power pole may be added to build a 4 pole 16-100A double throw switch. Reference pg. 18.9.
② For 16-100A double throw switches, jumpers are not provided.

Disconnect
switches
Non-fusible

Special configurations Handles & shafts for double throw switches

Recommended handles & shafts

| Switch | Shaft diameter | Recommended standard pistol handle length | Maximum recommended shaft length |
|-------------|-----------------------|---|----------------------------------|
| OT16 - 100 | 6x6 mm - .24 x .24" | 45 - 65 mm | 290 mm |
| OT200 | 6x6 mm - .24 x .24" | 65 - 80 mm | 290 mm |
| OT400 - 600 | 12x12 mm - .47 x .47" | 125 - 175 mm | 595 mm |

Shafts — for use with selector handles .24 x .24" (6x6mm)

| Shaft length (in/mm) | Mounting depth (inches) | | | | | Weight (Lbs.) | Catalog number | List price |
|-------------------------|-------------------------|-------|----------------|-------|----------------------------|------------------|-------------------|---------------|
| | OT16F3, OT25F3, OT40F3 | | OT63F3, OT80F3 | | OT30F3, OT60F3, OT100F3 | | | |
| | OH_1_ & OH_3_ | OH_2_ | OH_1_ & OH_3_ | OH_2_ | OH_2_ | | | |
| 3.3 / 85 | 5.0 | 4.3 | 5.6 | 5.0 | 5.0 | 0.07 | OXS6X85 | \$ 4 |
| 4.1 / 105 | 5.8 | 5.1 | 6.4 | 5.8 | 5.8 | 0.07 | OXS6X105 | 4 |
| 4.7 / 120 | 6.4 | 5.8 | 7.0 | 6.4 | 6.4 | 0.08 | OXS6X120 | 4 |
| 5.1 / 130 | 6.7 | 6.1 | 7.4 | 6.8 | 6.8 | 0.08 | OXS6X130 | 6 |
| 7.1 / 180 | 8.7 | 8.1 | 9.4 | 8.7 | 8.7 | 0.11 | OXS6X180 | 6 |
| 9.8 / 250 | 11.5 | 10.8 | 12.1 | 11.5 | 11.5 | 0.13 | OXS6X250 | 12 |
| 13 / 330 | 14.6 | 14.0 | 15.3 | 14.7 | 14.6 | 0.17 | OXS6X330 | 20 |

Shafts — for use with pistol handles .24 x .24" (6x6mm)

| Shaft length (in/mm) | Maximum mounting depth (inches) | | | | | Weight (Lbs.) | Catalog number | List price |
|----------------------|---------------------------------|---------------|----------------|---------|-------|------------------|-------------------|---------------|
| | OT16F3 - OT40F3 | OT63F3-OT80F3 | OT30F3-OT100F3 | OT160E3 | OT200 | | | |
| 5.2 / 130 | 5.9 | 6.4 | 6.7 | 6.0 | 6.5 | 0.08 | OXP6X130 | \$ 12 |
| 5.9 / 150 | 6.7 | 7.4 | 7.0 | 6.7 | 7.2 | 0.09 | OXP6X150 | 12 |
| 8.3 / 210 | 9.1 | 9.7 | 9.8 | 9.1 | 9.6 | 0.13 | OXP6X210 | 16 |
| 11.4 / 290 | 12.2 | 12.8 | 12.9 | 12.2 | 12.7 | 0.18 | OXP6X290 | 20 |
| 14.2 / 360 | 14.9 | 13.8 | 15.6 | 15.0 | 15.5 | 0.23 | OXP6X360 | 24 |
| 16.9 / 430 | 17.6 | 18.3 | 18.3 | 17.8 | 18.2 | 0.27 | OXP6X430 | 28 |

Shafts — for use with pistol handles .47 x .47" (12x12 mm)

| Shaft length (in/mm) | Maximum Mounting Depth (inches) | | | | Weight (Lbs.) | Catalog number | List price |
|----------------------|---------------------------------|-------|--------------------------|-------------------------|------------------|-------------------|---------------|
| | OT400 | OT600 | OETL-NF800 — OETL-NF3150 | OETL-NF1600-OETL-NF3150 | | | |
| 11.0 / 280 | 13.3 | 14.6 | 14.5 | — | 0.77 | OXP12X280 | \$ 36 |
| 12.8 / 325 | 15.0 | 16.4 | 16.3 | 20.9 | 0.90 | OXP12X325 | 40 |
| 15.6 / 395 | 20.5 | 19.1 | 19.1 | 23.6 | 1.10 | OXP12X395 | 44 |
| 18.3 / 465 | 20.9 | 21.8 | 21.9 | 26.3 | 1.32 | OXP12X465 | 48 |
| 21.1 / 535 | 22.8 | 24.6 | 24.6 | 29.1 | 1.54 | OXP12X535 | 52 |

3 Position selector handles — for use with .24 x .24" (6x6mm) shafts ①

| UL/NEMA Type | IEC Type | Markings | Color | Defeatable | Padlockable | Weight (Lbs.) | Catalog number | List price |
|--------------|----------|-------------------|-------|------------|-------------|------------------|-------------------|---------------|
| 1, 3R, 12 | IP65 | I/O/II, ON/OFF/ON | Black | Yes | Yes | 0.16 | OHBS2AJE011 | \$ 40 |

3 Position pistol handles — for use with .24 x .24" (6x6mm) shafts ①

| UL/NEMA Type | IEC Type | Markings | Color | Defeatable | Padlockable | Weight (Lbs.) | Catalog number | List price |
|------------------|----------|-------------------|-------|------------|-------------|------------------|-------------------|---------------|
| 1, 3R, 12 | IP65 | | Black | Yes | Yes | 0.29 | OHB65J6E011 | \$ 90 |
| 1, 3R, 12, 4, 4X | IP66 | I/O/II, ON/OFF/ON | Black | Yes | Yes | 0.29 | OHB65L6E011 | 130 |
| 1, 3R, 12 | IP65 | | Black | Yes | Yes | 0.3 | OHB80J6E011 | 120 |
| 1, 3R, 12, 4, 4X | IP66 | | Black | Yes | Yes | 0.3 | OHB80L6E011 | 155 |

3 Position pistol handles — for use with .47 x .47" (12x12mm) shafts ①

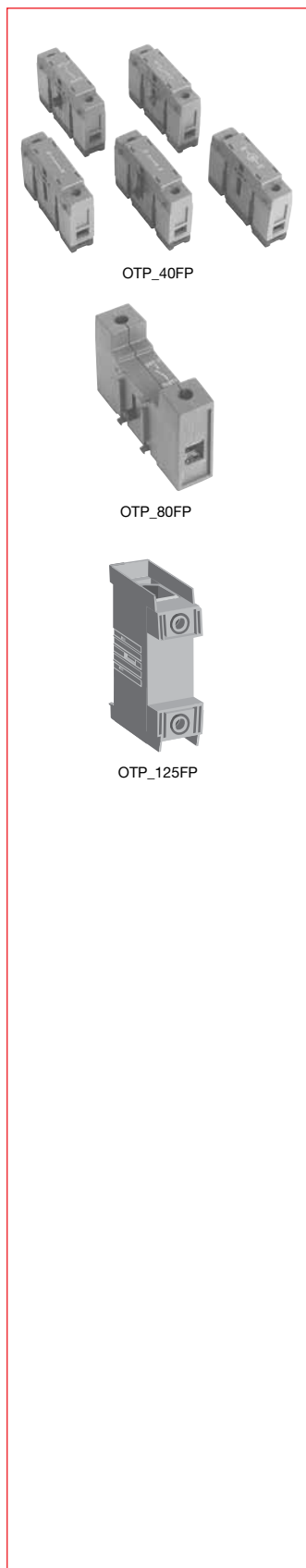
| UL/NEMA Type | IEC Type | Markings | Color | Defeatable | Padlockable | Weight (Lbs.) | Catalog number | List price |
|------------------|----------|-------------------|-------|------------|-------------|------------------|-------------------|---------------|
| 1, 3R, 12 | IP65 | | Black | Yes | Yes | 0.39 | OHB145J12E011 | \$ 130 |
| 1, 3R, 12, 4, 4X | IP66 | I/O/II, ON/OFF/ON | Black | Yes | Yes | 0.39 | OHB145L12E011 | 170 |
| 1, 3R, 12 | IP65 | | Black | Yes | Yes | 0.41 | OHB175J12E011 | 140 |
| 1, 3R, 12, 4, 4X | IP66 | | Black | Yes | Yes | 0.41 | OHB175L12E011 | 180 |

① Red/Yellow handles are available by substituting the OHB prefix with OHY. For other special handle configurations, consult factory.

Special configurations

Accessories for double throw switches

Disconnect
switches
Non-fusible



Additional poles

Power poles

Only one power pole per switch. Mounts on left or right side of switch (OTPS40FPN1 mounts to left side only).

| Description | For use on | Weight (Lbs.) | AC Thermal amp rating | AC rated voltage | Catalog number | List price |
|-----------------------|------------|---------------|-----------------------|------------------|----------------|--------------|
| Fourth Pole | OT16-OT40 | 0.07 | 40 | 600 | OTPS40FPN1 | \$ 36 |
| | OT30-OT60 | 0.13 | 60 | | OTPS60FP | 46 |
| | OT63-OT80 | 0.13 | 80 | | OTPS80FP | 44 |
| | OT100 | 0.31 | 100 | | OTPS125FP | 54 |
| Late-break/early-make | OT16-OT40 | 0.07 | 40 | 600 | OTPL40FP | 36 |
| | OT30-60 | 0.13 | 60 | | OTPL60FP | 46 |
| | OT63-OT80 | 0.13 | 80 | | OTPL80FP | 44 |
| | OT100 | 0.31 | 100 | | OTPL125FP | 54 |

Terminal poles

Switch accepts one terminal pole per side. Mounts on left or right side of switch.

| Description | For use on | Weight (Lbs.) | AC Thermal amp rating | AC rated voltage | Catalog number | List price |
|--------------------|------------|---------------|-----------------------|------------------|----------------|--------------|
| Solid neutral | OT16-OT40 | 0.07 | 40 | 600 | OTPN40FP | \$ 20 |
| | OT63-OT80 | 0.13 | 80 | | OTPN80FP | 36 |
| | OT30-OT100 | 0.31 | 100 | | OTPN125FP | 50 |
| Detachable Neutral | OT16-OT40 | 0.07 | 40 | 600 | OTPD40FP | 28 |
| | OT30-OT60 | 0.13 | 60 | | OTPD60FP | 38 |
| | OT63-OT80 | 0.13 | 80 | | OTPD80FP | 36 |
| | OT100 | 0.31 | 60 | | OTPD125FP | 50 |
| Ground Terminal | OT16-OT40 | 0.07 | 40 | 600 | OTPE40FP | 20 |
| | OT30-OT60 | 0.13 | 60 | | OTPE60FP | 38 |
| | OT63-OT80 | 0.13 | 80 | | OTPE80FP | 36 |
| | OT100 | 0.31 | 100 | | OTPE125FP | 50 |

Terminal lug kits

| For Use On | Wire Size | Wire Type | Lugs/Kit | Weight (Lbs) | Catalog number | List price |
|------------|-------------------|-----------|----------|--------------|----------------|--------------|
| OT200_C | #4 - 300kcmil | Cu/Al | 6 | 0.5 | OZXA-200 | \$ 80 |
| | #4 - 300kcmil | | 3 | 0.25 | OZXA-200/3 | 40 |
| | (6) 14-6 AWG | | 3 | 0.25 | OZXA-206T | 200 |
| OT400_C | #2 - 600kcmil | Cu/Al | 6 | 0.5 | OZXA-400 | 190 |
| | #2 - 600kcmil | | 3 | 0.25 | OZXA-400/3P | 100 |
| | (2) #4 - 300kcmil | | 6 | 0.5 | OZXA-402 | 210 |
| | (6) #14 - 6 AWG | | 3 | 0.5 | OZXA-406 | 270 |
| OT600_C | (2) #2 - 600kcmil | Cu/Al | 6 | 0.5 | OZXA-800 | 360 |
| | (2) #2 - 600kcmil | | 3 | 0.5 | OZXA-800/3 | 180 |

Auxiliary contacts — snap-on mounting

| Description | For Use On | Weight (Lbs.) | AC Thermal amp rating | AC rated voltage | Catalog number | List price |
|-------------|-------------|---------------|-----------------------|------------------|----------------|--------------|
| 1 N.O. | OT16-100_C | 0.7 | 10 | 600 | OA7G10 | \$ 20 |
| 1 N.C. | OT16-600_C | 0.7 | 10 | 600 | OA3G01 | 20 |
| 1 N.O. | OT200-600_C | 0.7 | 10 | 600 | OA1G10 | 20 |

Mounting & installation considerations

| | |
|----------|---|
| OT16-100 | OA1G10 (1 N.O.) mounts on right side of switch only OA1G01 (1 N.C.) mounts on left side of switch only OA2G11 (1 N.O. & 1 N.C.) mounts on left or right side of switch Maximum two contacts on each side of switch |
|----------|---|

18

**Disconnect
switches**
Non-fusible

OT800 - 1200A

OT800 - 1200A

| UL general purpose amp rating | IEC AC21 amp rating | 2 Pole | | 3 Pole | | 4 Pole | |
|----------------------------------|------------------------|-------------------|----------------|-------------------------------------|----------------|-------------------------------------|----------------|
| | | Catalog number | List price | Catalog number | List price | Catalog number | List price |
| 800 | 1250 | OT800U02 | \$ 2600 | OT800U03 OT800U12 OT800U30 | \$ 4200 | OT800U04 OT800U40 OT800U22 | \$ 5200 |
| 1200 | 1600 | OT1200U02 | 6200 | OT1200U03 OT1200U12 OT1200U30 | 6800 | OT1200U04 OT1200U40 OT1200U22 | 8600 |

T-Style handles — for use with .47 x .47" (12x12mm) shafts

| UL/NEMA Type | IEC Type | Color | Marking | Length | Defeatable | Padlockable | Catalog number | List price |
|--------------|----------|-------|--------------|---------|------------|-------------|-------------------|---------------|
| 1, 3R, 12 | IP65 | Black | O/I & Off/On | 2 x 200 | Yes | Yes | OHB200J12P | \$ 140 |

Shafts for use with T-Style handles — .47 x .47" (12x12mm)

| Shaft length | Maximum mounting depth | Weight (Lbs.) | Catalog number | List price |
|-----------------|---------------------------|------------------|-------------------|---------------|
| 11.0 / 280 | 15.2 | 0.77 | OX12X280 | \$ 36 |
| 12.8 / 325 | 17.0 | 0.90 | OX12X325 | 40 |
| 15.6 / 395 | 19.7 | 1.10 | OX12X395 | 44 |
| 18.3 / 465 | 22.4 | 1.32 | OX12X465 | 48 |
| 21.1 / 535 | 25.2 | 1.54 | OX12X535 | 52 |

Terminal lugs

| For use on | Wire size | Wire type | Lugs per kit | Catalog number | List price |
|--------------|------------------|--------------|-----------------|-------------------|---------------|
| OT800 - 1200 | (4) #2-600 kcmil | Cu | 6 | OZXA-1200 | \$ 700 |

Auxiliary contacts

| Description | For use on | AC thermal amp rating | AC rated voltage | Catalog number | List price |
|------------------------|--------------|--------------------------|---------------------|-------------------|---------------|
| 1 NO | OT800 - 1200 | 10 | 600 | OA1G10 | \$ 20 |
| 1 NC | | | | OA3G01 | 20 |
| Module for contacts | | | | OEA28 | 50 |

Fusible Disconnect switches



Fusible disconnect switches
30A – 800A, 600V

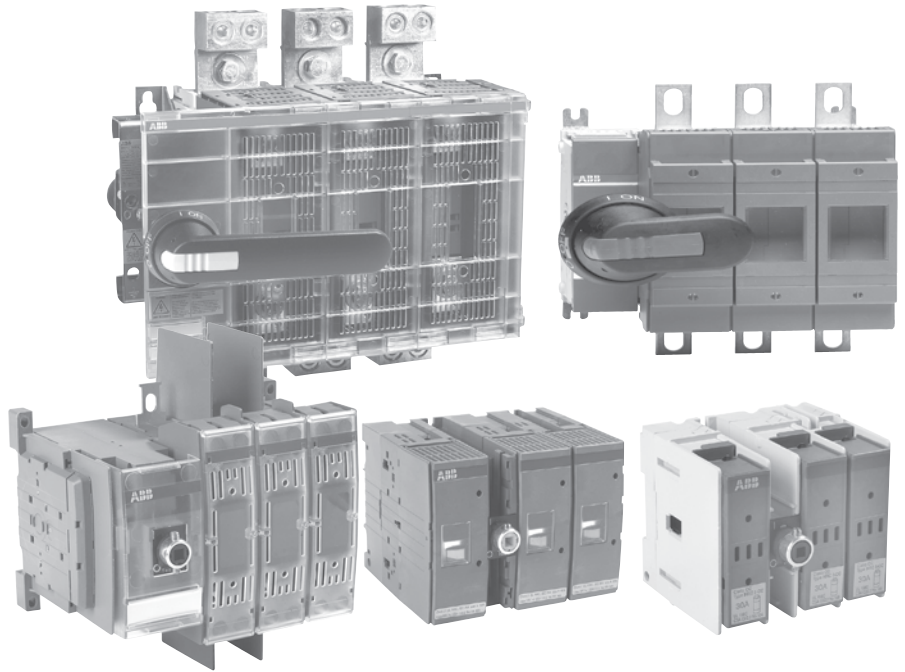


ABB PowerLine includes seven different amperage sizes from 30A to 800A. All ABB fusible switches are designed to meet customer requirements in terms of high interrupting capacity and long electrical life while occupying little more panel space than the appropriate fuses. The basic construction provides flexibility and high performance in an extremely compact size. ABB PowerLine switches are a perfect choice to withstand the heat and humidity of the tropics, the extreme cold of the arctic and any rugged industrial environment you may have.

International acceptance

ABB fusible switches are available with a wide range of fuse clip options:

| | | | |
|-----|--------|-------------|----------------|
| UL | USA | CSA | Canada |
| DIN | Europe | BS | United Kingdom |
| NFC | France | Ultra-rapid | |

As well as the corresponding approvals: UL listed, CSA approved, IEC rated, CE marked, and most other international standards.

UL98 (CSA 22.2 No.4) – UL File # E101914, CSA File #LR58077
For 30A – 800A switches, OH_ pistol grip handles

Suitable for use as motor disconnects or industrial control panel disconnects on service entrance equipment, panelboards, switchboards, industrial control equipment, motor control centers, etc. and are horsepower rated and ampere rated.

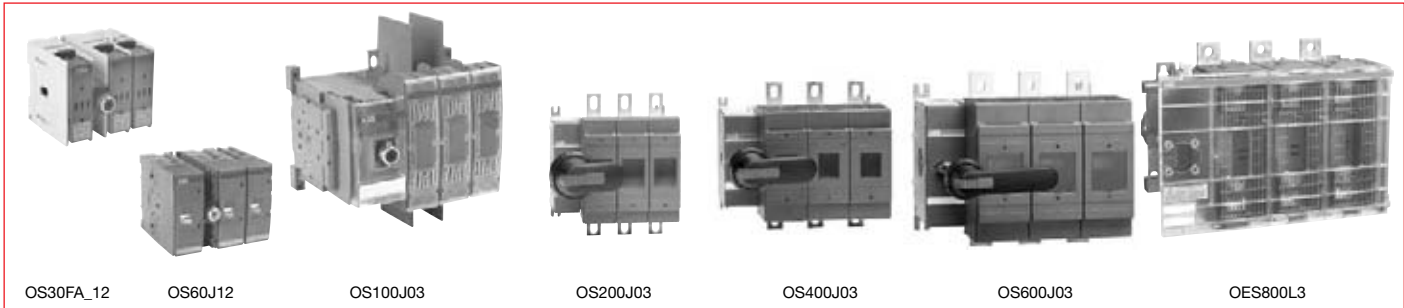
IEC

Tested in accordance to IEC 947-1 and 3, IEC 664, IEC 269, and IEC 204

CE

Compliance with the European Machine Directive IEC 204 (EN 60204)

Selection guide OS30FACC12 – OES800L3



| Catalog number 3 pole | | | OS30FACC12 | OS30FAJ12 | OS60J12 | OS100J03 | OS200J03 | OS400J03 | OS600J03 | OES800L3 | |
|---|-----------------------|----|------------|--------------|--------------|--------------|------------|------------|-------------|-------------|-------------|
| General purpose amp rating | | | A | 30 | 30 | 60 | 100 | 200 | 400 | 600 | 800 |
| Catalog reference | | | Page # | 18.79 | 18.79 | 18.83 | 18.83 | 18.83 | 18.87 | 18.87 | 18.87 |
| Approvals ① | | | | | | | | | | | |
| | 2 pole | | N/A | N/A | N/A | UL98 & IEC | UL98 & IEC | UL98 & IEC | UL98 & IEC | UL98 & IEC | UL98 & IEC |
| | 3 pole | | UL98 & IEC | UL98 & IEC | UL98 & IEC | UL98 & IEC | UL98 & IEC | UL98 & IEC | UL98 & IEC | UL98 & IEC | UL98 & IEC |
| | 4 pole | | UL98 & IEC | UL98 & IEC | UL98 & IEC | UL98 & IEC | UL98 & IEC | UL98 & IEC | UL98 & IEC | UL98 & IEC | |
| Technical ratings (UL, CSA) | | | | | | | | | | | |
| Max operating voltage | | | V | 600 | 600 | 600 | 600 | 600 | 600 | 600 | 600 |
| Max horsepower rating | | | | | | | | | | | |
| | Three phase | | | | | | | | | | |
| | 240V | HP | 7.5 | 7.5 | 15 | 30 | 60 | 125 | 200 | 250 | |
| | 480V | HP | 15 | 15 | 30 | 60 | 125 | 250 | 400 | 500 | |
| | 600V | HP | 20 | 20 | 50 | 75 | 150 | 350 | 500 | 600 | |
| | Single phase | | | | | | | | | | |
| | 120V | HP | 2 | 2 | — | — | — | — | — | — | |
| | 240V | HP | 3 | 3 | — | — | — | — | — | — | |
| UL fuse class | | | | CC | J | J | J | J | J | J | L |
| Technical ratings (IEC) | | | | | | | | | | | |
| Rated insulation and operational voltage, AC20 and DC20 | | | V | 1000 | 1000 | 1000 | 1000 | 1000 | 1000 | 1000 | 1000 |
| Rated thermal current, I _n | | | | | | | | | | | |
| | AC 20/DC 20 open | | A | 32 | 32 | 63 | 160 | 200 | 400 | 630 | 800 |
| | AC 20/DC 20 enclosed | | A | 32 | 32 | 63 | 160 | 200 | 400 | 600 | 720 |
| | AC 21A ≤500V | | A | 32 | 32 | 63 | 160 | 200 | 400 | 630 | 800 |
| | ≤690V | | A | 32 | 32 | 63 | 160 | 200 | 400 | 630 | 800 |
| Rated operational power AC23 | | | | | | | | | | | |
| | 400/415V | | kW | 14/15 | 14/15 | 30 | 80/90 | 110 | 220/230 | 355 | 350/380 |
| | 690V | | kW | 25 | 25 | 60 | 132 | 200 | 400 | 560 | 600 |
| Physical characteristics | | | | | | | | | | | |
| Weight | | | | | | | | | | | |
| | 3 pole switch | | lb | 1.54 | 1.54 | 2.86 | 3.30 | 5.9 | 12.56 | 28.66 | 37.44 |
| | 4 pole | | lb | 1.98 | 1.98 | 3.52 | 3.96 | 7.5 | 15.21 | 37.48 | 46.26 |
| Dimension | | | | | | | | | | | |
| | 3 pole | | | | | | | | | | |
| | | H | in | 3.66 | 3.60 | 3.94 | 5.67 | 6.5 | 9.29 | 12.04 | 10.10 |
| | | W | in | 4.15 | 4.15 | 5.63 | 7.07 | 7.1 | 10.04 | 13.50 | 14.80 |
| | | D | in | 4.10 | 4.10 | 5.04 | 5.10 | 5.2 | 6.93 | 9.17 | 9.17 |
| Accessories | | | | | | | | | | | |
| Double break contacts | | | | S | S | S | S | S | S | S | S |
| Fuse cover | | | | S | S | S | S | S | S | S | S |
| Terminal lug kit | | | | Integral | Integral | Integral | OZXA-24 | OZXA-200 | OZXA-400 | OZXA-800 | OZXA-27 |
| Terminal shroud | | | | Not required | Not required | Not required | • | • | • | • | • |
| Auxiliary contact | | | | • | • | • | • | • | • | • | • |
| Shaft/handle diameter | | | | 6mm | 6mm | 6mm | 6mm | 6mm | 12mm | 12mm | 12mm |
| | | | | .24 x .24" | .24 x .24" | .24 x .24" | .24 x .24" | .24 x .24" | .47 x .47" | .47 x .47" | .47 x .47" |
| Handle UL/NEMA type | | | | | | | | | | | |
| | Type 1, 3R, 12 | | | • | • | • | • | • | • | • | • |
| | Type 1, 3R, 4, 4X, 12 | | | • | • | • | • | • | • | • | • |
| Recommended pistol handle length | | | | 45 - 65mm | 45 - 65mm | 45 - 65mm | 45 - 65mm | 65 - 80mm | 125 - 175mm | 125 - 175mm | 125 - 175mm |
| Maximum recommended shaft length | | | | 290mm | 290mm | 290mm | 290mm | 290mm | 595mm | 595mm | 595mm |
| Electrical interlock | | | | — | — | — | — | — | • | • | • |

S = Standard
• = Available
— = Not available

① UL listed switches are also CSA approved.

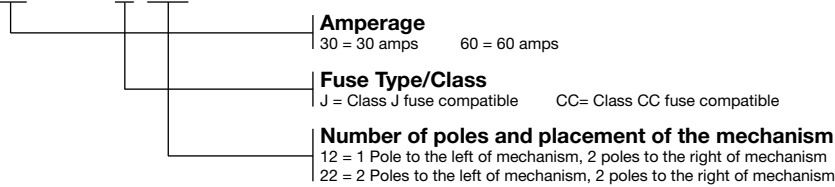
Selection information

Disconnect
switches
Fusible

Standard part number designation ①

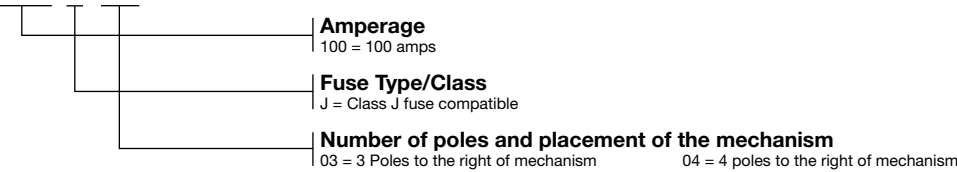
Fusible OS Switches (30 to 60A)

OS 30 F A J 22 F



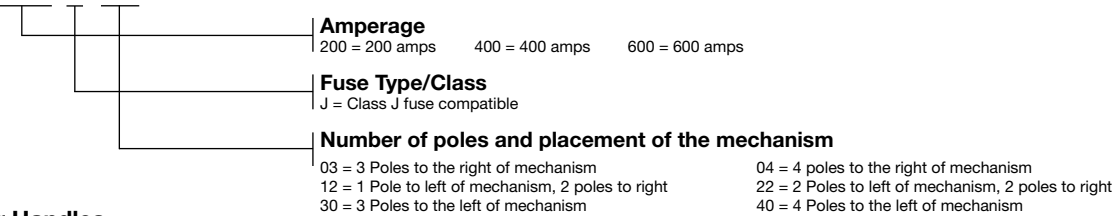
Fusible OS Switches (100A)

OS 100 J 03



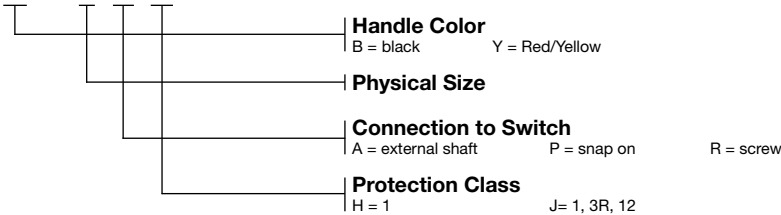
Fusible OS Switches (200A and above)

OS 200 J 04 F



Selector Handles

OHB S 1 P H



Pistol Handles

O H B 65 J 6 E011



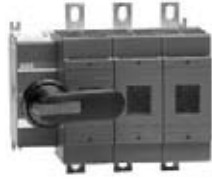
① Part designation keys are provided for reference only. Not all variations or configurations are available.

Base & DIN rail mounted 30 – 800A

For a complete assembly, please select one of each:

- 1 switch (pg. 18.22)
- 1 handle (pg.18.23)
- 1 shaft (pg. 18.24)
- 1 terminal lug kit (pg. 18.25)

(Only required for 100A & above.)



OS400J03



OXP12X280



OHB145J12



OZXA-24

| | UL general purpose amp rating | UL Fuse Type 600V | 2 Pole | | 3 Pole | | 4 Pole | |
|-------|-------------------------------|-------------------|----------------|------------|----------------------------------|-------------------------|-------------------------------------|-------------------------|
| | | | Catalog number | List price | Catalog number | List price | Catalog number | List price |
| UL 98 | 30 | J CC ① | — | — | OS30FAJ12 OS30FACC12 | \$ 280 280 | OS30FAJ22F OS30FACC22F | \$ 350 350 |
| | 60 | J | — | — | OS60J12 | 380 | OS60J22F | 490 |
| | 100 | J | — | — | OS100J03 | 520 | OS100J04F | 660 |
| | 200 | J | OS200J02 | \$ 1,240 | OS200J03 OS200J30 OS200J12 | 1,380 1,380 1,380 | OS200J04F OS200J13F OS200J22F | 1,725 1,725 1,725 |
| | 400 | J | OS400J02 | 1,680 | OS400J03 OS400J30 OS400J12 | 1,860 1,860 1,860 | OS400J04F | 2,320 |
| | 600 | J | OS600J02 | 2,600 | OS600J03 OS600J30 OS600J12 | 4,613 4,613 4,613 | OS600J04F | 5,536 |
| | 800 | L | OES800L2 | 4,280 | OES800L3 | 4,760 | OES800L4 | 5,950 |

① Rejection style fuses only.

Standard handles & shafts

Disconnect
switches
Fusible



Recommended handles & shafts

| Switch | Shaft diameter | Recommended standard pistol handle length | Maximum recommended shaft length |
|-----------------------|-----------------------|---|----------------------------------|
| OS30 - 100 OS200 | 6x6 mm - .24 x .24" | 45 - 65 mm | 290 mm |
| OS400 - 600 OES800 | 12x12 mm - .47 x .47" | 125 - 175 mm | 595 mm |

Selector handles — for use with .24 x .24" (6mm) OXS6X shafts ② ③

| UL/NEMA Type | IEC type | Color | Marking | Defeatable | Padlockable | Weight (lbs) | Catalog number | List price |
|--------------|----------|-------|--------------|------------|-------------|--------------|----------------|--------------|
| 1, 3R, 12 | IP65 | Black | O/I & Off/On | — | Yes | 0.16 | OHBS2AJ1 | \$ 28 |
| | | | | Yes | Yes | 0.16 | OHBS2AJ | 30 |

NOTE: Selector handles are not recommended for use with fusible switches over 30A.

Pistol handles — for use with .24 x .24" (6mm) OXP6X shafts ② ③

| UL/NEMA Type | IEC type | Color | Marking | Length in/mm | Defeatable | Padlockable | Weight (lbs) | Catalog number | List price |
|------------------|----------|-------------------------|--------------|--------------|------------|-------------|--------------|----------------|--------------|
| 1, 3R, 12 | IP65 | Black | O/I & Off/On | 2.6/65 | Yes | Yes | 0.29 | OHB65J6 | \$ 80 |
| 1, 3R, 12 | IP65 | Black | Off/On/Test | 2.6/65 | Yes | Yes | 0.29 | OHB65J6T ① | 100 |
| 1, 3R, 12 | IP65 | Black | O/I & Off/On | 3.1/80 | Yes | Yes | 0.30 | OHB80J6 | 90 |
| 1, 3R, 12, 4, 4X | IP66 | Black | O/I & Off/On | 3.1/80 | Yes | Yes | 0.30 | OHB80L6 | 130 |
| 1, 3R, 12, 4, 4X | IP66 | Stainless Steel | O/I & Off/On | 2.6/65 | Yes | Yes | 1.60 | OHM65L6 | 750 |
| 1, 3R, 12 | IP65 | Black w/ stainless hasp | O/I & Off/On | 2.6/65 | Yes | Yes | 0.31 | OHB65J6EH | 250 |
| 1, 3R, 12, 4, 4X | IP66 | Black w/ stainless hasp | O/I & Off/On | 2.6/65 | Yes | Yes | 0.31 | OHB65L6EH | 290 |

Pistol handles — for use with .47 x .47" (12mm) OXP12X shafts ② ③

| UL/NEMA Type | IEC type | Color | Marking | Length in/mm | Defeatable | Padlockable | Weight (lbs) | Catalog number | List price |
|------------------|----------|-------------------------|--------------|--------------|------------|-------------|--------------|----------------|--------------|
| 1, 3R, 12 | IP65 | Black | O/I & Off/On | 4.9/125 | Yes | Yes | 0.39 | OHB125J12 | \$ 90 |
| | | | | 5.7/145 | Yes | Yes | 0.39 | OHB145J12 | 90 |
| | | | | 6.9/175 | Yes | Yes | 0.41 | OHB175J12 | 100 |
| 1, 3R, 12, 4, 4X | IP66 | Black | O/I & Off/On | 5.7/145 | Yes | Yes | 0.39 | OHB145L12 | 130 |
| | | | | 6.9/175 | Yes | Yes | 0.41 | OHB175L12 | 140 |
| 1, 3R, 12, 4, 4X | IP65 | Metal | Off/On | 8.7/220 | -- | Yes | 1.50 | YASDA-8 | 190 |
| 1, 3R, 12, 4, 4X | IP66 | Stainless Steel | O/I & Off/On | 4.9/125 | Yes | Yes | 1.70 | OHM125L12 | 900 |
| | | | | 6.9/175 | Yes | Yes | 1.80 | OHM175L12 | 1,100 |
| | | | | 275 | Yes | Yes | 2.10 | OHM275L12 | 1,200 |
| 1, 3R, 12 | IP65 | Black w/ stainless hasp | O/I & Off/On | 4.9/125 | Yes | Yes | 0.44 | OHB125J12EH | 280 |
| | | | | 6.9/175 | Yes | Yes | 0.76 | OHB175J12EH | 330 |
| 1, 3R, 12, 4, 4X | IP66 | Black w/ stainless hasp | O/I & Off/On | 4.9/125 | Yes | Yes | 0.44 | OHB125L12EH | 330 |
| | | | | 6.9/175 | Yes | Yes | 0.76 | OHB175L12EH | 390 |

Direct mount handle ② ③

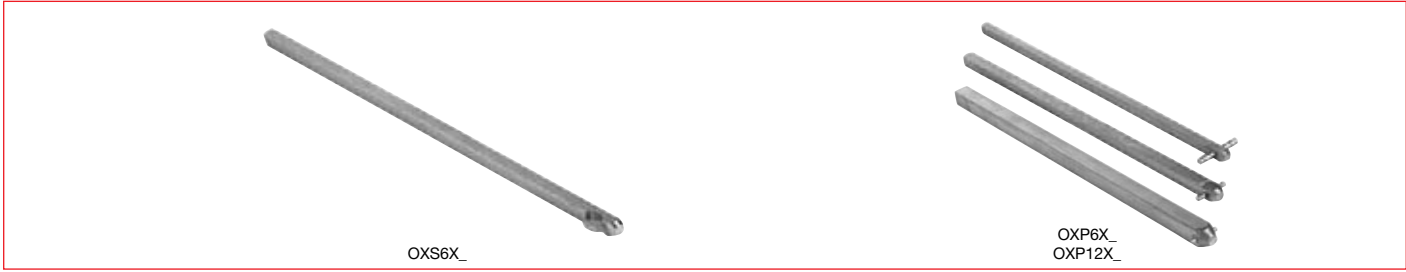
| For use on | Description | Marking | Color | Padlockable | Weight | Catalog number | List price |
|-------------------|----------------------|----------|-------|-------------|--------|----------------|--------------|
| OS30 | No shaft required | O/I/Test | Black | Yes | 0.10 | OHBS5 | \$ 60 |
| OS60-100 | No shaft required | O/I | Black | Yes | 0.10 | OHB4 | 60 |
| OS200 | No shaft required | O/I | Black | Yes | 0.30 | OSV200BK | 134 |
| OS400 | No shaft required | O/I | Black | Yes | 0.30 | OSV400BK | 173 |
| OS600 | No shaft required | O/I | Black | Yes | 0.30 | OSV800BK | 212 |
| OS400-600, OES800 | Mounts on 12mm shaft | — | Metal | No | 0.78 | YASDA-33 | 155 |

① The OS30_ switch has a TEST position, accessed by rotating the mechanism 45 degrees counterclockwise from the OFF position. In the TEST position, optional auxiliary contacts, OA4B1C, are actuated but the main switch contacts are not.

② Red/Yellow handles are available by substituting the OHB prefix with OHY.

③ All handles are plastic unless otherwise noted as metal or stainless steel.

Standard handles & shafts



Shafts — for use with OH selector handles .24 x .24" (6x6 mm)

| Shaft length (in/mm) | Maximum mounting depth (inches) | Weight (Lbs.) | Catalog number | List price |
|----------------------|---------------------------------|---------------|----------------|-------------|
| 5.1 / 130 | 5.6 | 0.08 | OXS6X130 | \$ 6 |
| 7.1 / 180 | 6.1 | 0.11 | OXS6X180 | 6 |
| 9.8 / 250 | 10.3 | 0.13 | OXS6X250 | 12 |
| 13 / 330 | 13.4 | 0.17 | OXS6X330 | 20 |

NOTE: Selector handles and shafts are not recommended for use with fusible switches over 30A

Shafts — for use with pistol handles .24 x .24" (6x6 mm)

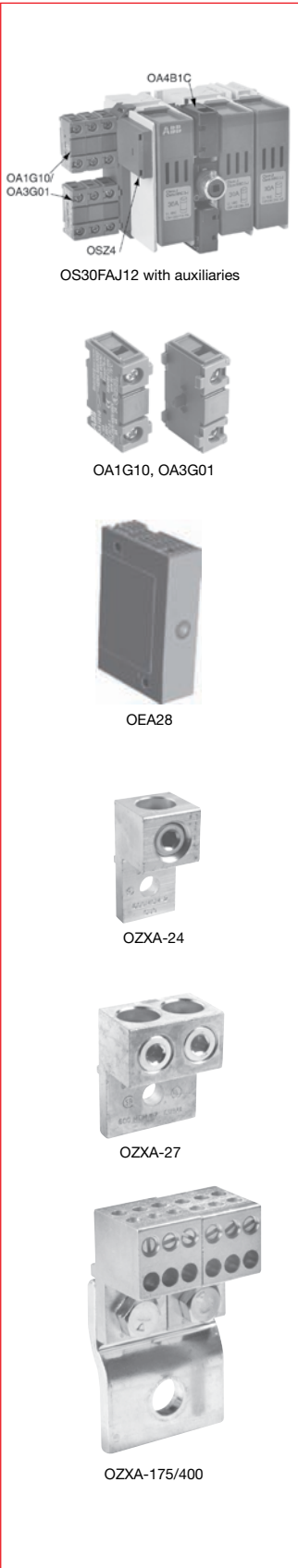
| Shaft length (in/mm) | Maximum mounting depth (inches) | | | | Weight (Lbs.) | Catalog number | List price |
|----------------------|---------------------------------|------|-------|-------|---------------|----------------|--------------|
| | OS30 | OS60 | OS100 | OS200 | | | |
| 5.9 / 150 | 8.9 | 9.7 | 9.8 | — | 0.09 | OXP6X150 | \$ 12 |
| 8.3 / 210 | 9.7 | 12.1 | 12.2 | 9.9 | 0.13 | OXP6X210 | 16 |
| 11.4 / 290 | 13.4 | 15.2 | 15.3 | 13.0 | 0.18 | OXP6X290 | 20 |
| 14.2 / 360 | 18.7 | 12.9 | 18.0 | — | 0.23 | OXP6X360 | 24 |
| 16.9 / 430 | 22.6 | 20.6 | 20.7 | — | 0.27 | OXP6X430 | 28 |

Shafts — for use with pistol handles .47 x .47" (12x12 mm)

| Shaft length (in/mm) | Maximum mounting depth (inches) | | Weight (Lbs.) | Catalog number | List price |
|----------------------|---------------------------------|---------------|---------------|----------------|--------------|
| | OS400 | OS600, OES800 | | | |
| 11.0 / 280 | 13.8 | 14.9 | 0.77 | OXP12X280 | \$ 36 |
| 12.8 / 325 | 15.6 | 16.7 | 0.9 | OXP12X325 | 40 |
| 15.6 / 395 | 18.3 | 19.4 | 1.1 | OXP12X395 | 44 |
| 18.3 / 465 | 21.0 | 22.1 | 1.32 | OXP12X465 | 48 |
| 21.1 / 535 | 23.8 | 24.8 | 1.54 | OXP12X535 | 52 |

Standard fusible accessories Base & DIN rail mounted switches

Disconnect
switches
Fusible



Auxiliary contacts — snap-on mounting

| Description | For Use On | Weight (Lbs.) | AC Thermal amp rating | AC rated voltage | Catalog number | List price |
|-------------------------------|---------------|---------------|-----------------------|------------------|----------------|------------|
| Form C 1 N.O. & 1 N.C. | OS30 | 0.04 | 6 | 250 | OA4B1C | \$ 40 |
| 1 N.O. | OS30 - OS600 | 0.07 | 10 | 600 | OA1G10 | 20 |
| 1 N.C. | OS30 - OS600 | 0.07 | 10 | 600 | OA3G01 | 20 |
| Module for auxiliary contacts | OS30 | 0.09 | — | — | OSZ4 | 20 |
| | OS200 - OS600 | 0.10 | — | — | OEA28 | 50 |

Auxiliary contacts — front mounting

| Description | For Use On | Weight (Lbs.) | AC Thermal amp rating | AC rated voltage | Catalog number | List price |
|-----------------|------------|---------------|-----------------------|------------------|----------------|------------|
| 1 N.O. + 1 N.C. | OES800 | 0.20 | 10 | 600 | OZXK-1 | \$ 100 |
| 2 N.O. + 2 N.C. | | 0.26 | 10 | 600 | OZXK-2 | 170 |
| 4 N.O. + 4 N.C. | | 0.40 | 10 | 600 | OZXK-3 | 340 |
| 2 N.O. | OES800 | 0.18 | 10 | 600 | OZXK-4 | 100 |
| 4 N.O. | | 0.25 | 10 | 600 | OZXK-5 | 170 |
| 8 N.O. | | 0.4 | 10 | 600 | OZXK-6 | 340 |
| | | | | | | |

Mounting & installation considerations

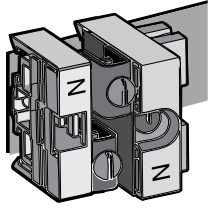
| | |
|------------|--|
| OS30 | Form C contacts mount directly to switch Maximum two Form C contacts OA1G10 (1 N.O.) + OA3G01 (1 N.C.) require mounting base Maximum 6 OA1G10 + OA3G01 contacts with mounting base OSZ4 |
| OS60 - 600 | Mounting to left side of switch with OEA28 module: Maximum 8 contact blocks Mounting under mechanism cover: Maximum 4 contact blocks |

Terminal lugs

| For Use On | Wire Size | Wire Type | Lugs/Kit | Catalog number | List price |
|------------|--|-----------|----------|----------------|------------|
| OS100 | #14 - 2/0 | Cu/Al | 6 | OZXA-24 ① | \$ 24 |
| OS200 | #4 - 300 kcmil (6) 14-6 AWG | Cu/Al | 6 | OZXA-200 | 80 |
| | | | 3 | OZXA-200/3 | 40 |
| | | | 3 | OZXA-206/S | 200 |
| OS400 | #2 - 600 kcmil (2) #2 - 300 kcmil (2) #2 - 500 kcmil | Cu/Al | 6 | OZXA-400 | 190 |
| | | | 6 | OZXA-402 | 210 |
| | | | 6 | OZXA-33 | 375 |
| OS600 | (2) #2 - 600 kcmil (2) - 600 kcmil | Cu/Al | 6 | OZXA-800 | 360 |
| | | | 3 | OZXA-800/3 | 180 |
| OES800 | (12) #14 - 6 kcmil (2) #2 - 600 kcmil (2) #2 - 600 kcmil | Cu/Al | 3 | OZXA-175/400 | 270 |
| | | | 6 | OZXA-27 | 380 |
| | | | 3 | OZXA-27/3P | 190 |

① Not suitable for use on cable operated flange version of OS100.

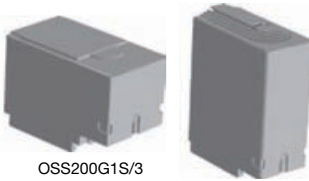
Standard fusible accessories Base & DIN rail mounted switches



OESA-ZX171

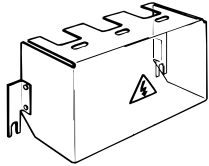


OSS160T3



OSS200G1S/3

OSS200G1L/3



OESA-ZX70
OESA-ZX123
OESA-ZX125



OFM_



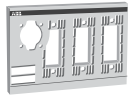
OSC60J_



CXBY68362



OESA-ZX271
OESA-ZX216



OESA-ZX272
OESA-ZX196



OESA-ZX273
OESA-ZX197

Additional poles

| Description | For use on | Weight (Lbs.) | AC Thermal amp rating | AC rated voltage | Catalog number | List price |
|---|------------|---------------|-----------------------|------------------|----------------|------------|
| Detachable neutral mounts on side of switch or DIN rail | OS30 | 0.45 | 30 | 600 | OESA-ZX171 | \$ 40 |
| | OS60 | 0.13 | 63 | 600 | OSZ1 | 50 |
| | OS100 | 0.31 | 125 | 600 | OSZ2 | 50 |
| | OES800 | 1.19 | 800 | 600 | OESA-ZX88 | 160 |

Terminal shrouds ①

| Description | For Use On | Weight (Lbs.) | Catalog number | List price |
|--|------------|---------------|----------------|------------|
| Terminal shroud for one pole | OS100 | 0.04 | OSS160T1 | \$ 20 |
| Terminal shroud for 3 poles | OS100 | 0.04 | OSS160T3 | 60 |
| 3 pole long type shrouds | OS200 | 0.20 | OSS200G1L/3 | 50 |
| 3 pole short type shrouds | OS200 | 0.13 | OSS200G1S/3 | 50 |
| 4 Pole long type shrouds | OS200 | 0.26 | OSS200G1L/4 | 65 |
| 4 pole Short type shrouds | OS200 | 0.18 | OSS200G1S/4 | 61 |
| 3 Pole includes one shroud for line or load side ② | OS400 | 0.13 | OSS403 | 190 |
| | OS600 | 0.11 | OSS603 | 220 |
| | OES800 | 0.11 | OESA-ZX125 | 160 |

Fuse monitors

Blown fuse indicators/monitors

| For Use With | Rated Voltage | Weight (lbs) | Catalog number | List price |
|---------------------|---------------|--------------|----------------|------------|
| OS30-600 and OES800 | 100-240 | 0.31 | OFM240 | \$ 290 |
| | 380-600 | 0.31 | OFM600 | 290 |

Suitable for 1 or 3 phase circuits. Includes 1 N.O. and 1 N.C. auxiliary contacts and red & green LED lights for indication.

Fuse Monitor Mounting Accessories

| For Use With | Crimp Terminal size (mm) | Catalog number | List price |
|---|--------------------------|----------------|------------|
| OS30-200 | 2.8-0.8 | OFMZX2 | \$ 20 |
| OS400-600, OES800 Includes 6 crimp terminals | 6.3-0.8 | OFMZX4 | 70 |

Fuse carriers/covers

| Description | For Use on | Catalog number | List price |
|--|------------|----------------|------------|
| CC fuse carrier (Qty. 1) | OS30AFCC_ | OESAZD48 | \$ 50 |
| J fuse carrier (Qty. 1) | OS30AFJ_ | OESAZD28 | 50 |
| Solid link carrier (Qty. 1) | OS30_ | OESAZD55 | 50 |
| Removable fuse carrier (Qty. 3) | OS60J12 | OSC60J3 | 60 |
| Removable fuse carrier (Qty. 4) | OS60J22F | OSC60J4 | 200 |
| Transparent fuse cover | OS100 | CXBY68362 | 20 |
| Fuse Cover | OS200 | CXBY68674 | 20 |
| 2 pole fuse cover | OES800 | OESA-ZX216 | 180 |
| 3 pole fuse cover | | OESA-ZX196 | 260 |
| 4 pole fuse cover | | OESA-ZX197 | 350 |
| Fuse Cover Interlock - prevents fuse cover from being opened when the switch is in the ON position | OES800 | OESA-ZX204 | 90 |

① ABB switches are IP20 touchsafe as standard. Terminal shrouds provide an extra degree of protection.

② For 4 pole shrouds, please consult factory.

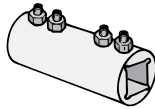
Standard fusible accessories

Base & DIN rail mounted switches

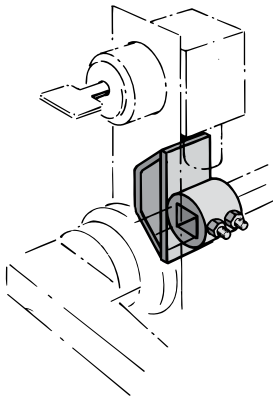
Disconnect
switches
Fusible



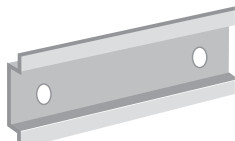
OHZX10



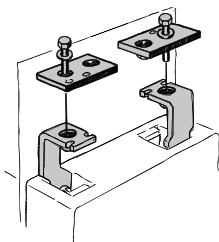
OETL-ZX95



OETL-ZW16



DIN rail



OESA-ZX1-J1T6

Miscellaneous accessories & replacement parts

Shaft accessories

| Accessory Type | Description | For Use On | Weight | Catalog number | List price |
|-------------------------|---|---------------------------|--------------|-------------------------|-------------------------|
| Shaft Adapter | Adapts one end of a 6m shaft to 12mm (use with shaft extension coupler) | 6mm shafts | 0.2 | OETL-ZK19 | \$ 40 |
| Shaft Extension Coupler | Joins two shafts together for applications where extended length is required | 6mm shafts 12mm shafts | 0.26 0.26 | OESA-ZX167 OETL-ZX95 | 56 100 |
| Shaft Guide | Fits all pistol grip handles, mounts on the inside of the enclosure door with provided hardware | pistol handles | - | OHZX10 | 12 |

Locking accessories

| Accessory Type | Description | For Use On | Weight | Catalog number | List price |
|----------------------|--|---------------------------|--------------|----------------------------|-----------------------------|
| Cam Attachment | for Kirk Key, Castell, Low & Fletcher and Ronis interlock. For adapting to the interlock system. The interlock is not included. | OS60-OS200 OS400-OS600 | 0.25 0.29 | OETL-ZW16 OETL-ZW5 | \$ 190 190 |
| Electrical Interlock | Closed circuit principle for interlocking the switch movement. When the coil circuit is dead, A-types cannot be operate to O-position and L-types cannot be operated to ON- or OFF-position. Coil voltages 110VAC, 220 VAC, 24VDC, 48VDC, 60VDC, 110VDC, 220VDC, P - 15W U = 0.7 - 1.1 Un (U = coil voltage, Un = nominal voltage) | OES800 | 2.42 | OETL-ZT80AΔ OETL-ZT80LΔ | 1280 1220 |

Δ = Coil Voltage

Shorting bars

| Description | For Use On | AC thermal amp rating | AC rated voltage | Catalog number | List price |
|--------------------------|------------|-----------------------|------------------|----------------|--------------|
| Dummy Fuse | OS60 | 60 | 600 | OESA-ZD54 | \$ 50 |
| Solid links: metal strap | OS100 | 100 | 600 | OESA-ZS36 | 24 |
| | OS200 | 400 | 600 | OESA-ZK98 | 23 |

T type fuse adapter kit

| For Use on | For Use with | AC thermal amp rating | AC rated voltage | Poles | Catalog number | List price |
|------------|-------------------------|-----------------------|------------------|-------|----------------|---------------|
| OES800 | 300 & 600V Class T fuse | 800 | 600 | 3 | OESA-ZX1-L8T6 | \$ 280 |

Replacement parts

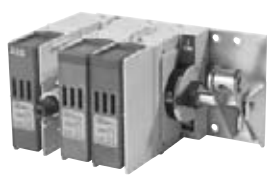
| Item | Description | For use on | Catalog number | List price |
|-----------------|------------------------------------|------------|----------------|--------------|
| Terminal cover | Covers terminal below fuse carrier | OS30_ | CXBY67121 | \$ 10 |
| Phase Barrier | - | OS200 | CXBY68794 | 15 |
| Shaft Set Screw | - | OS30_ | FLSWM5X8AX | 2 |

Special configurations

Shaft operated flange

30A - 100A

For a complete assembly, please select one of each.



Switch



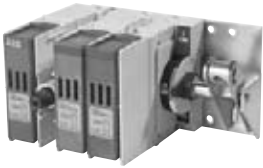
Handle



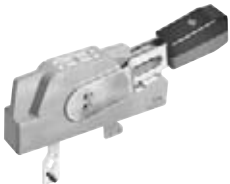
Shaft



Lug kit (as required)



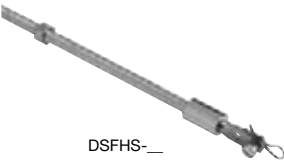
OS30FAJF30



DSFHN-HS_



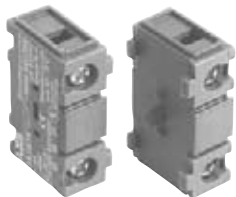
DSFHS_



OZXA-24



OZXA-24



OA1G_

30A -100A Flange operated fusible switches (Shaft) – 3 pole

| UL general purpose amp rating A | UL fuse type 600V | Maximum horsepower rating | | | Catalog number | List price |
|------------------------------------|----------------------|---------------------------|------|------|----------------|------------|
| | | Three phase | | | | |
| | | 240V | 480V | 600V | | |
| 30 | J | 7.5 | 15 | 20 | OS30FAJF30 | \$ 500 |
| 30 | CC | 7.5 | 15 | 20 | OS30FACCF30 | 500 |
| 60 | J | 15 | 30 | 50 | OS60JF30 | 590 |
| 100 | J | 30 | 60 | 75 | OS100JF30 | 690 |

Flange handles

| UL/ NEMA type | Marking | Defeatable | Padlockable | Catalog number | List price |
|---------------|---------|------------|-------------|----------------|------------|
| 1, 3R, 12 | OFF/ON | Yes | Yes | DSFHN-HS12 | \$ 156 |
| 4, 4X | OFF/ON | Yes | Yes | DSFHN-HS4 | 240 |

Shafts

| For use with: | Maximum enclosure depth (inches) | Catalog number | List price |
|----------------|----------------------------------|----------------|------------|
| OS30_ - OS100_ | 16 | DSFHS-12 | \$ 28 |
| | 21 | DSFHS-17 | 40 |
| | 26.5 | DSFHS-22 | 52 |

Terminal lug kits and accessories

| For use on: | Description | Wire size | Wire type | Qty. | Catalog number | List price |
|----------------|--------------|--|-----------|------|----------------|------------|
| OS30_ | Lug | #18 - #8 | Cu | -- | Integral | — |
| OS60_ | Lug | #14 - #4 | Cu | -- | Integral | — |
| OS100_ | Lug | #14 - 2/0 | Cu/Al | 6 | OZXA-24 | \$ 24 |
| OS30_ - OS100_ | Aux. Contact | 1 NO | | 1 | OA1G10 | 20 |
| | Aux. Contact | 1 NC | | 1 | OA3G01 | 20 |
| OS30_ | Adapter | Needed for mounting aux. Contacts on OS30_ | | 1 | OSZ4 | 20 |
| OS100_ | Shroud | Includes one set of 3 for use on line or load side | | 1 | OSS160T3 | 60 |

Door hardware NEMA 12

| Item | Catalog number | List price |
|--|----------------|------------|
| Safety door latch, 2 point, door less than 40" high | KDH2R | \$ 200 |
| Safety door latch, 3 point, door greater than 40" high | KDH3R | 225 |

Flange operated fusible and non-fusible disconnect switches

ABB's solution for complying with the new NFPA79 requirements is Flange Operated Fusible and Non-fusible Disconnect Switches.

New 2002 NFPA 79 changes requires main disconnecting means to be operable without the use of accessory tools or devices, independent of door position. This code also includes an interlocking provision to prevent the closing of disconnects while the enclosure door is open, unless an interlock is operated by a deliberate action.

The flange operated disconnect switches are available as ridged shaft or flexible cable operated versions. The cable operated version allows you to install the disconnect switch anywhere in the enclosure depending on the length of the cable. Cables are available in lengths up to 84 inches.

The designs are cost-effective NFPA 79 solutions offering quick and easy installation.

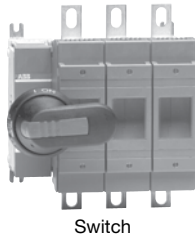
Special configurations

Cable operated flange

30A - 200A

Disconnect
switches
Fusible

For a complete assembly, please select one each of the following:



Switch



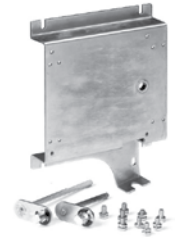
Handle



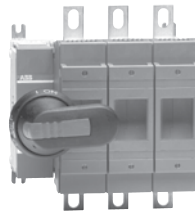
Cable



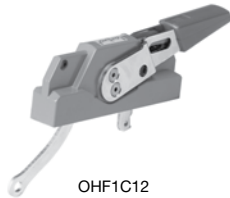
Lug kit (as required)



Operating mechanism



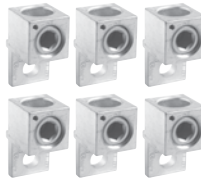
OS200J03



OHF1C12



OXC1L36-
OXC1L84



Lug Kit



OZXA-200

Fusible

| UL general purpose amp rating | UL fuse type 600V | Maximum horsepower rating | | | Catalog number | List price |
|-------------------------------|-------------------|---------------------------|------|------|----------------|------------|
| | | Three phase | | | | |
| | | 240V | 480V | 600V | | |
| 30 | J | 7.5 | 15 | 20 | OS30FAJ12 | \$ 280 |
| 30 | CC | 7.5 | 15 | 20 | OS30FACC12 | 280 |
| 60 | J | 15 | 30 | 50 | OS60J12 | 380 |
| 100 | J | 30 | 60 | 75 | OS100AJ30 | 920 |
| 200 | J | 60 | 125 | 150 | OS200J30 | 1,380 |

Flange handles – UL98; File #E101914

| For use with: | Environmental rating | Catalog number | List price |
|---------------------------------------|----------------------|----------------|------------|
| OS30_12, OS60J12, OS100AJ30, OS200J30 | NEMA 1, 3R, 12 | OHF1C12 | \$ 213 |
| | NEMA 4, 4X | OHF1C4 | 243 |

Flexible cables

| For use with: | Cable length (inches) | Catalog number | List price |
|---------------------------------------|-----------------------|----------------|------------|
| OS30_12, OS60J12, OS100AJ30, OS200J30 | 36 | OXC1L36 | \$ 114 |
| | 48 | OXC1L48 | 146 |
| | 60 | OXC1L60 | 160 |
| | 72 | OXC1L72 | 175 |
| | 84 | OXC1L84 | 204 |

Operating mechanisms

| For use with: | Catalog number | List price |
|-----------------------|----------------|------------|
| OS30AFJ12, OS30AFCC12 | MKCS2 | \$ 135 |
| OS60J12 | MKCS3 | 162 |
| OS100AJ30, OS200J30 | MKCS4 | 171 |

Terminal lug kits

| For use with | Wire size | Wire type | Description | Lugs per kit | Catalog number | List price |
|-----------------------|----------------|-----------|------------------|--------------|----------------|------------|
| OS100AJ30 OS200J30 | #4 – 300 Kcmil | Cu/Al | — | 6 | OZXA-200 | \$ 80 |
| | #4 – 300 Kcmil | Cu/Al | — | 3 | OZXA-200/3 | 40 |
| | (6) #4-6 AWG | Cu/Al | Distribution lug | 3 | OZXA-206/S | 200 |

Door hardware NEMA 12

| Item | Catalog number | List price |
|--|----------------|------------|
| Safety door latch, 2 point, door less than 40" high | KDH2R | \$ 200 |
| Safety door latch, 3 point, door greater than 40" high | KDH3R | 225 |

Discount schedule H3 [D3]: Fusible 30A - 100A
 Discount schedule H6 [DH]: Handles, shafts, accessories and lug kits
 Discount schedule H5 [D5]: Fusible 200A - 800A
 Discount schedule SH [SH]: Door hardware kits

Other configurations

High speed fuse pattern

Special type fuses

For a complete assembly,
please select one of each:

- 1 switch body
- 1 adapter kit
- 1 shaft
- 1 handle



Selecting switch bodies and adapter kits

Please select switch body and adapter kit according to your fuses. Switch body alone can not be used — an adapter kit is always needed.

Switch bodies — 200A through 800A

| UL general purpose amp rating | Maximum horsepower rating | | | Max. allowed fuse power dissipation at rated current | Weight (lbs) | Catalog number | List price |
|-------------------------------------|---------------------------|------|------|---|-----------------|-------------------|---------------|
| | Three phase | | | | | | |
| | 240V | 480V | 600V | | | | |
| 3 pole | | | | | | | |
| 200 | 60 | 125 | 150 | 22W | 15.21 | OES200R03 | ① |
| 400 | 125 | 250 | 350 | 45W | 17.20 | OES400R03 | |
| 600 | 200 | 400 | 500 | 60W | 37.48 | OES600R03 | |
| 800 | 250 | 500 | 600 | 65W | 37.48 | OES800R03 | |
| 4 pole | | | | | | | |
| 200 | 60 | 125 | 150 | 22W | 17.4 | OES200R04 | ① |
| 400 | 125 | 250 | 350 | 45W | 19.4 | OES400R04 | |
| 600 | 200 | 400 | 500 | 60W | 46.3 | OES600R04 | |
| 800 | 250 | 500 | 600 | 65W | 46.3 | OES800R04 | |

Fuse adapter kits — for switches OES200 – OES400

| Fuse standard | For 3 pole switch | | For 4 pole switch | |
|--|--|---------------|--|---------------|
| | Catalog number | List price | Catalog number | List price |
| American standard | OESAZX1-S4 OESAZX1-S5 | ① | OESAZX1-S4/4 OESAZX1-S5/4 | ① |
| DIN80 (DIN43653) DIN80 sizes 00 and 000 (DIN 43653) DIN110 (DIN43653) DIN140 (DIN43653) | OESAZX1-S7 OESAZX1-S9 OESAZX1-S2 OESAZX1-S6 | | OESAZX1-S7/4 OESAZX1-S9/4 OESAZX1-S2/4 OESAZX1-S6/4 | |
| Flush-end, 70mm body Flush-end, 50mm body | OESAZX1-S8 OESAZX1-S3 | | OESAZX1-S8/4 OESAZX1-S3/4 | |
| French French with micro switches | OESAZX1-S10 OESAZX1-S11 | | OESAZX1-S10/4 OESAZX1-S11/4 | |

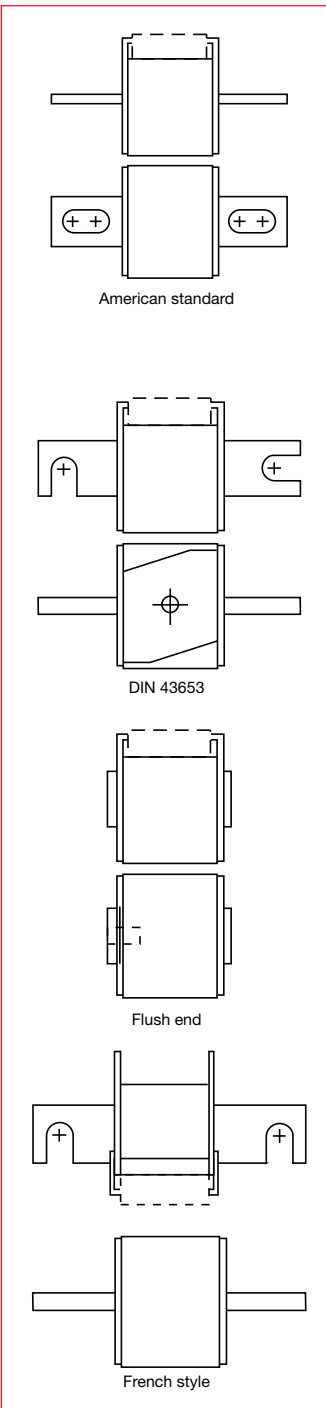
Fuse adapter kits — for switches OES600 – OES800

| Fuse standard | For 3 pole switch | | For 4 pole switch | |
|--|--|---------------|--|---------------|
| | Catalog number | List price | Catalog number | List price |
| American standard DIN80, DIN 110, DIN 140 (DIN43653) Flush-end, 50mm and 70mm body French French with micro switches | OESAZX2-S4 OESAZX2-S2 OESAZX2-S3 OESAZX2-S5 OESAZX2-S6 | ① | OESAZX2-S4/4 OESAZX2-S2/4 OESAZX2-S3/4 OESAZX2-S5/4 OESAZX2-S6/4 | ① |

Handles and shafts — see pages 18.87 – 18.88.

Selecting the right fusible disconnect for HSF fuses may be difficult. Due to UL restrictions it is not possible to give a general fuse selection table for your use. Therefore we ask you to contact ABB Inc., Wichita Falls, in application issues. Information needed is nominal current of the application and catalog number of the fuse.

① Consult Factory.



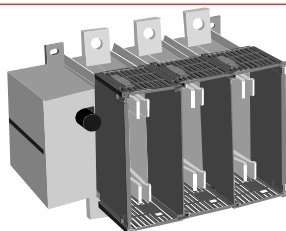
Other configurations

High speed fuse pattern

Standard switches

Disconnect
switches
Fusible

For a complete assembly, please select one switch catalog number which includes:



Switch body



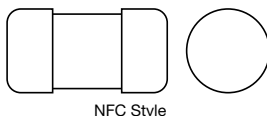
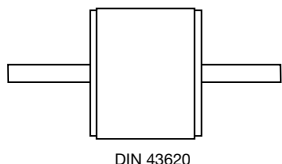
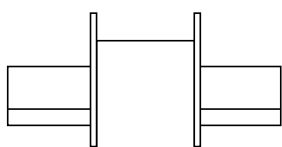
shaft



handle

Selecting switch bodies

There are some HSF fuses that fit in standard pattern fusible disconnects, no adapter kits needed.



DIN-style fusible disconnects — 32A through 800A^①

| UL general purpose amp rating | AC23A rated operational power in kW | | | | Fuse type | Weight (lbs.) | Catalog number | List price |
|-------------------------------------|-------------------------------------|------|------|------|-------------------|------------------|-------------------|---------------|
| | 230V | 400V | 500V | 690V | | | | |
| 3 pole | | | | | | | | |
| 30 | 9 | 15 | 22 | 30 | DIN 000, 00 | 2.9 | OS32RD12 | ③ |
| 60 | 18.5 | 30 | 37 | 60 | DIN 000, 00 | 2.9 | OS63RD12 | |
| 100 | 45 | 80 | 110 | 132 | DIN 000, 00 | 3.3 | OS160RD03 | |
| 100 | 45 | 80 | 110 | 132 | DIN 43653: 000/80 | 3.3 | OS160RD0380 | |
| 200 | 70 | 132 | 170 | 230 | DIN 0, 1 | 16.1 | OESA250RD3 | |
| 400 | 110 | 210 | 280 | 330 | DIN 0, 1, 2 | 18.3 | OESA400RD3 | |
| 600 | 180 | 315 | 400 | 540 | DIN 3 | 35.2 | OESA630RD3 | |
| 800 | 200 | 350 | 470 | 600 | DIN 3 | 39.6 | OESA800RD3 | |
| 4 pole | | | | | | | | |
| 30 | 9 | 15 | 22 | 30 | DIN 000, 00 | 3.5 | OS32RD22 | ③ |
| 60 | 18.5 | 30 | 37 | 60 | DIN 000, 00 | 3.5 | OS63RD22 | |
| 100 | 45 | 80 | 110 | 132 | DIN 000, 00 | 4.0 | OS160RD04 | |
| 100 | 45 | 80 | 110 | 132 | DIN 43653: 000/80 | 4.0 | OS160RD0480 | |
| 200 | 70 | 132 | 170 | 230 | DIN 0, 1 | 18.1 | OESA250RD4 | |
| 400 | 110 | 210 | 280 | 330 | DIN 0, 1, 2 | 20.7 | OESA400RD4 | |
| 600 | 180 | 315 | 400 | 540 | DIN 3 | 46.3 | OESA630RD4 | |
| 800 | 200 | 350 | 470 | 600 | DIN 3 | 52.9 | OESA800RD4 | |

NFC-style fusible disconnects — 25A through 125A^②

| UL general purpose amp rating | AC23A rated operational power in kW | | | | Fuse type | Weight (lbs.) | Catalog number | List price |
|-------------------------------------|-------------------------------------|------|------|------|--------------|------------------|-------------------|---------------|
| | 230V | 400V | 500V | 690V | | | | |
| 3 pole | | | | | | | | |
| 30 | 6 | 11 | 14 | 22 | NFC 10x38 | 1.54 | OS25FRF1210 | ③ |
| 30 | 8 | 14 | 18 | 25 | NFC 14x51 | 1.54 | OS32RF1214 | |
| 60 | 18.5 | 30 | 37 | 60 | NFC 14x51 | 2.90 | OS63RF1214 | |
| 100 | 37 | 60 | 80 | 110 | NFC 22x58 | 3.30 | OS125RF0322 | |
| 100 | 45 | 80 | 110 | 132 | NFC 27x60 | 3.30 | OS160RF0327 | |
| 4 pole | | | | | | | | |
| 30 | 6 | 11 | 14 | 22 | NFC 10x38 | 2.00 | OS25FRF2210 | ③ |
| 30 | 8 | 14 | 18 | 25 | NFC 14x51 | 2.00 | OS32RF2214 | |
| 60 | 18.5 | 30 | 37 | 60 | NFC 14x51 | 3.50 | OS63RF2214 | |
| 100 | 37 | 60 | 80 | 110 | NFC 22x58 | 4.00 | OS125RF0422 | |
| 100 | 45 | 80 | 110 | 132 | NFC 27x60 | 4.00 | OS160RF0427 | |

Selecting the right fusible disconnect for HSF fuses may be difficult. Due to UL restrictions it is not possible to give a general fuse selection table for your use. Therefore we ask you to contact ABB Control Inc., Wichita Falls, regarding application issues.

① OS32 – OS160 include handle OHB65J6 and shaft OXP6X161.
OESA250 – OESA400 include handle OHB125J12 and shaft OXP12X250.
OESA630 – OESA800 include handle OHB145J12 and shaft OXP12X250.

② OS25 – OS125 include handle OHB65J6 and shaft OXP6X161.

③ Consult factory.

Other configurations

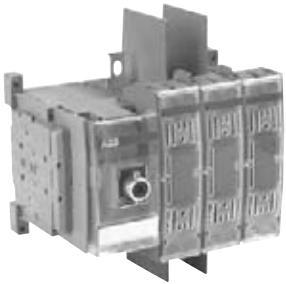
BS fuse pattern ① 20A – 800A



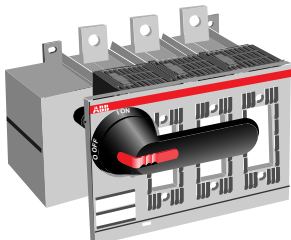
OS32B12A1



OS63B12



OS160



OS200B3

BS fuse pattern switches (20A – 32A) Handle and shaft included

| Catalog number | number of poles | Rated op. current/ Rated op. power | | Fuse type and size | Fuse standard |
|---|---------------------------------|---------------------------------------|--------------|--------------------|------------------------|
| | | 415V | 690V | | |
| OS20FB12A1 OS20FB22A1N1 OS20FB22A1F | 3 3 + non-fused neutral 4 | 20 A 10 kW | 20A 15 kW | A1 20 A | BS 88-2 IEC 269-2-1 |
| OS32B12A1 OS32B22A1N1 OS32B22A1F | 3 3 + non-fused neutral 4 | 32 A 15 kW | 32A 25 kW | A1 32 A | |
| OS32B12A2 OS32B22A2N1 | 3 3 + non-fused neutral | 32 A 15 kW | 32A 25 kW | A2 32 A | |
| OS32B12F1 OS32B22F1N1 | 3 3 + non-fused neutral | 32 A 15 kW | 32A 25 kW | F1 32 A | BS 88-6 |

BS pattern switches (32A – 800A) Handle and shaft included Fuse covers included for 200A – 800A

| Catalog number | number of poles | Rated operational voltage AC23/[V] | I _{th} (open) [A] | Rated operational current/ Rated operational power in category AC23A, IEC947 [A/kW] | | | | | Weight with package [kg] |
|--|-------------------------------|------------------------------------|----------------------------|--|---------|---------|---------|---------|-----------------------------|
| | | | | 230V | 400V | 415V | 500V | 690V | |
| OS32B12 OS32B22N1 | 3 4 ^② | 500 | 32 | 32/7.5 | 32/11 | 32/15 | 32/15 | — | 1.3 1.6 |
| OS63B12 OS63B22N1 | 3 4 ^② | 690 | 63 | 63/15 | 63/30 | 63/30 | 63/30 | 401/30 | 1.3 1.6 |
| OS100B12 OS100B13 OS100B01 OS100B11 | 3 4 ^② 1 2 | 690 | 125 | 100/30 | 100/55 | 100/55 | 100/70 | 501/45 | 1.5 1.8 0.9 1.9 |
| OS160B12 OS160B13 OS160B01 OS160B11 | 3 4 1 2 | 690 | 160 | 100/30 | 100/55 | 100/55 | 100/70 | 500/45 | 1.5 1.8 0.9 1.2 |
| OS200B3 OS200B4 OS200B1 OS200B2 | 3 4 ^② 1 2 | 690 | 200 | 200/57 | 200/100 | 200/110 | 200/140 | 200/180 | 7.1 8.2 5.1 6.1 |
| OS250B3 OS250B4 | 3 4 ^② | 690 | 250 | 250/70 | 250/132 | 250/140 | 250/170 | 250/230 | 7.1 8.2 |
| OS315B3 OS315B4 OS315B1 OS315B2 | 3 4 ^② 1 2 | 690 | 315 | 315/90 | 315/100 | 315/100 | 315/220 | 315/290 | 7.9 8.9 5.9 6.9 |
| OS400B3 OS400B4 OS400B1 OS400B2 | 3 4 ^② 1 2 | 690 | 400 | 400/110 | 400/210 | 400/230 | 400/280 | 400/330 | 8.3 9.4 6.3 7.3 |
| OS630B3 OS630B4 OS630B1 OS630B2 | 3 4 ^② 1 2 | 690 | 630 | 630/180 | 630/315 | 630/340 | 630/400 | 630/540 | 16.0 21.0 6.5 11.0 |
| OS800B3 OS800B4 OS800B1 OS800B2 | 3 4 ^② 1 2 | 690 | 800 | 800/200 | 800/350 | 800/380 | 720/470 | 720/600 | 18.0 24.0 6.7 12.3 |



BS fuses are widely used in UK, South-Africa, Australia and Hong Kong

① Please consult factory for additional information.
② The fourth pole is provided with a solid link which can be replaced with a fuse.

Other configurations

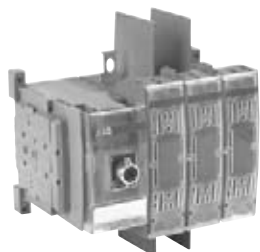
DIN fuse pattern ①

32A – 800A

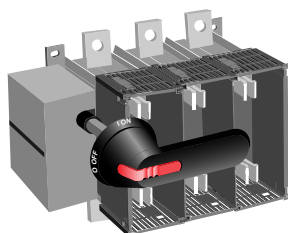
Disconnect
switches
Fusible



OS63D12



OS160



OS250P3P

DIN pattern switches (32A – 800A)

Handle and shaft included

| Catalog number | Number of poles | Operational AC23[V] | I _{th} (open) [A] | Rated operational current/ Rated operational power in category AC23A, IEC947 [A/kW] | | | | | Weight with package [kg] |
|---|---|---------------------|----------------------------|---|---------|---------|---------|---------|-------------------------------------|
| | | | | 230V | 400V | 415V | 550V | 690V | |
| OS32D12 OS32D22N1 OS32D22F | 3 3 + non-fused neutral 4 | 690 | 32 | 32/7.5 | 32/11 | 32/15 | 32/15 | – | 1.3 1.6 1.6 |
| OS63D12 OS63D22N1 OS63D22F | 3 3 + non-fused neutral 4 | 690 | 63 | 63/15 | 63/30 | 63/30 | 63/30 | 40/30 | 1.3 1.6 1.6 |
| OS125D12 OS125D22N1 OS125D22F OS125D01 OS125D11 | 3 3 + non-fused neutral 4 1 2 | 690 | 125 | 100/30 | 100/55 | 100/55 | 100/70 | 50/45 | 1.5 1.8 1.8 0.9 1.2 |
| OS160D12 OS160D22N1 OS160D22F OS160D01 OS160D11 | 3 3 + non-fused neutral 4 1 2 | 690 | 160 | 100/30 | 100/55 | 100/55 | 100/70 | 50/45 | 1.5 1.8 1.8 0.9 1.2 |
| OS250D3P OS250D4P OS250DF4P OS250D1P OS250D2P | 3 3 + non-fused neutral 4 1 2 | 690 | 250 | 250/70 | 250/132 | 250/140 | 250/170 | 250/230 | 7.3 8.2 8.2 5.5 6.4 |
| OS400D3P OS400D4P OS400DF4P OS400D1P OS400D2P | 3 3 + non-fused neutral 4 1 2 | 690 | 400 | 400/110 | 400/210 | 400/230 | 400/280 | 400/330 | 8.3 9.4 9.4 6.3 7.3 |
| OS630D3P OS630D4P OS630DF4P OS630D1P OS630D2P | 3 3 + non-fused neutral 4 1 2 | 690 | 630 | 630/180 | 630/315 | 630/340 | 630/400 | 630/540 | 16.0 21.0 21.0 6.5 11.0 |
| OS800D3P OS800D4P OS800DF4P OS800D1P OS800D2P | 3 3 + non-fused neutral 4 1 2 | 690 | 800 | 800/200 | 800/350 | 800/380 | 720/470 | 720/600 | 18.0 24.0 24.0 8.5 13.0 |



DIN fuses are mainly used in continental Europe (excluding France below 125A), Asia, Africa and South-America

① Please consult factory for additional information.

Other configurations

NFC fuse pattern

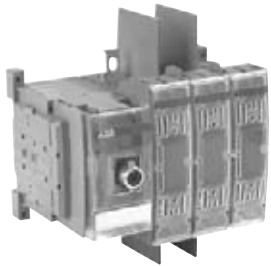
63A – 125A, 14x51 & 22x58



OS32FF1214



OS63F12



OS125F03

NFC fuse pattern switches (cylinder) (10x38) (14x51)

Handle and shaft included

| Catalog number | number of poles | Rated operational current/ Rated operational power | | Fuse type and size | Fuse standard |
|---|---------------------------------|---|--------------|--------------------|---------------|
| | | 415V | 690V | | |
| OS25FF1210 OS25FF2210N1 OS25FF2210F | 3 3 + non-fused neutral 4 | 25 A 12 kW | 25A 22 kW | 10 x 38 25 A | IEC 269-2-1 |
| OS32FF1214 OS32FF2214N1 OS32FF2214F | 3 3 + non-fused neutral 4 | 32 A 15 kW | 32A 25 kW | 14 x 51 32 A | IEC 269-2-1 |

NFC fuse pattern (cylinder fuse links), (14x51 & 22x58)

Handle and shaft included

| Catalog number | number of poles | Rated operational voltage AC23/[V] | I _{th} (open) [A] | Rated operational power in category AC23A, IEC947 [A/kW] | | | | | Weight with pack- age [kg] |
|-------------------------------------|--------------------------|---------------------------------------|----------------------------------|---|--------|--------|--------|---------|-------------------------------------|
| | | | | 230V | 400V | 415V | 550V | 690V | |
| OS50F12 OS50F22F | 3 4 | 690 | 50 | 50/15 | 50/25 | 50/25 | 50/33 | 50/45 | 1.3 1.6 |
| OS63F12 OS63F22F | 3 4 | 690 | 63 | 63/18.5 | 63/30 | 63/30 | 63/37 | 63/60 | 1.3 1.6 |
| OS100F03 OS100F04F OS100F04N1 | 3 4 3 + non-fuse N | 690 | 125 | 100/30 | 100/45 | 100/55 | 100/60 | 100/90 | 2.2 2.8 2.8 |
| OS125F03 OS125F04F OS125F04N1 | 3 4 3 + non-fuse N | 690 | 125 | 125/37 | 125/60 | 125/60 | 125/80 | 125/110 | 1.3 1.6 1.6 |



NFC fuses are used in France and in French speaking Africa

① Please consult factory for additional information.

OS800

Disconnect
switches
Fusible

OS800

| UL general purpose amp rating | UL Fuse type 600 V | 2 Pole | | 3 Pole | | 4 Pole | |
|----------------------------------|--------------------------|----------------|----------------|----------------------------------|----------------|----------------|----------------|
| | | Catalog number | List price | Catalog number | List price | Catalog number | List price |
| 800 | L | OS800L02 | \$ 3605 | OS800L03 OS800L30 OS800L12 | \$ 4760 | OS800L04F | \$ 5950 |
| 1200 | L | OS1200L02 | 4280 | OS1200L03 | 12,200 | OS1200L04F | 14,640 |

T-Style handles — for use with .47 x .47" (12x12mm) shafts ①

| UL/NEMA Type | IEC Type | Color | Marking | Length | Defeatable | Padlockable | Catalog number | List price |
|--------------|----------|-------|--------------|---------|------------|-------------|-------------------|---------------|
| 1, 3R, 12 | IP65 | Black | O/I & Off/On | 2 x 200 | Yes | Yes | OHB200J12P | \$ 140 |

Shafts for use with T-Style handles — .47 x .47" (12x12mm)

| Shaft length | Maximum mounting depth | Weight (Lbs.) | Catalog number | List price |
|-----------------|---------------------------|------------------|-------------------|---------------|
| 11.0 / 280 | 15.2 | 0.77 | OX P12X280 | \$ 36 |
| 12.8 / 325 | 17.0 | 0.90 | OX P12X325 | 40 |
| 15.6 / 395 | 19.7 | 1.10 | OX P12X395 | 44 |
| 18.3 / 465 | 22.4 | 1.32 | OX P12X465 | 48 |
| 21.1 / 535 | 25.2 | 1.54 | OX P12X535 | 52 |

Terminal lugs

| For use on | Wire size | Wire type | Lugs per kit | Catalog number | List price |
|------------|--------------------|--------------|-----------------|-------------------|---------------|
| OS1200 | (4) #2-600 kcmil | Cu/Al | 6 | OZXA-1200 | \$ 700 |
| OS800 | (2) #2 - 600 kcmil | Cu/Al | 6 | OZXA-800 | 360 |
| | (2) - 600 kcmil | Cu/Al | 3 | OZXA-800/3 | 180 |

Auxiliary contacts

| Description | For use on | AC thermal amp rating | AC rated voltage | Catalog number | List price |
|---------------------|--------------|--------------------------|---------------------|-------------------|---------------|
| 1 NO | OS800 - 1200 | 10 | 600 | OA1G10 | \$ 20 |
| 1 NC | | | | OA3G01 | 20 |
| Module for contacts | | | | OEA28 | 50 |

Enclosed Disconnect switches



Enclosed disconnect switches

16A – 3150A Non-fusible

30A – 800A Fusible



SafeLine enclosed disconnect switches are designed to meet customer requirements in terms of safety, ease of installation, space savings and operational convenience. They are available in a wide range of amperage ratings, are UL approved and NEMA rated to satisfy rugged industrial environments.

eOT UL508 Enclosed switches

The eOT series of enclosed manual motor controllers are rotary operated, 3 pole, 600V Hp rated switches, housed in thermoplastic/polycarbonate enclosures suitable for wet and corrosive environments.



EOT16U3P3-S



EOT16U3P4-P

NEMA 3R/12

| Handle type | Handle color | Amp rating | Auxiliary contacts | Catalog number | List price |
|-------------|--------------|------------|--------------------|----------------|------------|
| Selector | Black | 16 | -- | EOT16U3P3-S | \$ 250 |
| Selector | Black | 40 | -- | EOT32U3P3-S | 300 |
| Selector | Black | 60 | -- | EOT45U3P3-S | 325 |
| Pistol | Black | 80 | -- | EOT63U3P3-P | 355 |
| Selector | Black | 16 | 1 NO | EOT16U3P3-1S | 305 |
| Selector | Black | 40 | 1 NO | EOT32U3P3-1S | 370 |
| Selector | Black | 60 | 1 NO | EOT45U3P3-1S | 405 |
| Pistol | Black | 80 | 1 NO | EOT63U3P3-1P | 435 |
| Selector | Red/Yellow | 16 | -- | EOT16U3P3-S1 | 250 |
| Selector | Red/Yellow | 40 | -- | EOT32U3P3-S1 | 300 |
| Selector | Red/Yellow | 60 | -- | EOT45U3P3-S1 | 325 |
| Pistol | Red/Yellow | 80 | -- | EOT63U3P3-P1 | 385 |
| Selector | Red/Yellow | 16 | 1 NO | EOT16U3P3-1S1 | 305 |
| Selector | Red/Yellow | 40 | 1 NO | EOT32U3P3-1S1 | 370 |
| Selector | Red/Yellow | 60 | 1 NO | EOT45U3P3-1S1 | 405 |
| Pistol | Red/Yellow | 80 | 1 NO | EOT63U3P3-1P1 | 435 |

NEMA 4/4X

| | | | | | |
|--------|------------|----|------|---------------|--------|
| Pistol | Black | 16 | -- | EOT16U3P4-P | \$ 270 |
| Pistol | Black | 40 | -- | EOT32U3P4-P | 325 |
| Pistol | Black | 60 | -- | EOT45U3P4-P | 365 |
| Pistol | Black | 80 | -- | EOT63U3P4-P | 385 |
| Pistol | Black | 16 | 1 NO | EOT16U3P4-1P | 335 |
| Pistol | Black | 40 | 1 NO | EOT32U3P4-1P | 400 |
| Pistol | Black | 60 | 1 NO | EOT45U3P4-1P | 445 |
| Pistol | Black | 80 | 1 NO | EOT63U3P4-1P | 475 |
| Pistol | Red/Yellow | 16 | -- | EOT16U3P4-P1 | 270 |
| Pistol | Red/Yellow | 40 | -- | EOT32U3P4-P1 | 325 |
| Pistol | Red/Yellow | 60 | -- | EOT45U3P4-P1 | 365 |
| Pistol | Red/Yellow | 80 | -- | EOT63U3P4-P1 | 385 |
| Pistol | Red/Yellow | 16 | 1 NO | EOT16U3P4-1P1 | 335 |
| Pistol | Red/Yellow | 40 | 1 NO | EOT32U3P4-1P1 | 400 |
| Pistol | Red/Yellow | 60 | 1 NO | EOT45U3P4-1P1 | 445 |
| Pistol | Red/Yellow | 80 | 1 NO | EOT63U3P4-1P1 | 475 |

Accessories for eOT16 – eOT63

| Description | For use on | AC thermal amp rating | AC rated voltage | Catalog number | List price |
|---|------------|-----------------------|------------------|----------------|------------|
| Auxiliary contacts ② | | | | | |
| NO, mounts on right side of the switch only | eOT16 - 63 | 10 | 600 | OA1G10 | \$ 20 |
| NC, mounts on left side of the switch only | | 10 | 600 | OA1G01 | 20 |
| 4th pole ③ | | | | | |
| 4th pole | eOT16 & | 40 | 600 | OTPS40FPN1 | 36 |
| 4th pole, late-break / early-make function | eOT32 | 40 | 600 | OTPL40FP | 36 |
| 4th pole | eOT45 & | 80 | 600 | OTPS80FP | 44 |
| 4th pole, late-break / early-make function | eOT63 | 80 | 600 | OTPL80FP | 44 |

① Due to torque requirements, the eOT63 is equipped with a pistol handle for both 3X/12 & 4/4X versions.

② Maximum number of auxiliary contacts: 2NO + 1NC.

③ Only one additional pole per switch.

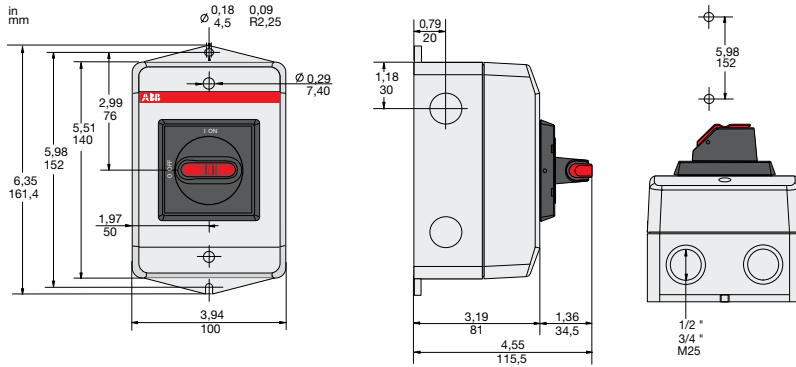
eOT Enclosed switches

Approximate dimensions

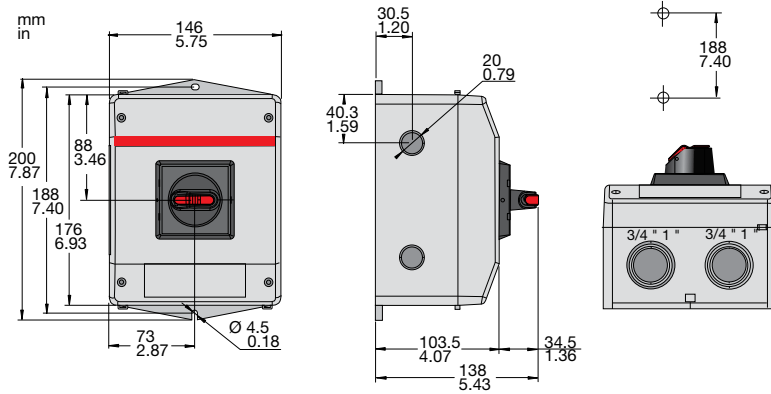
eOT16_ - eOT45U

Disconnect
switches
Non-fusible
Enclosed

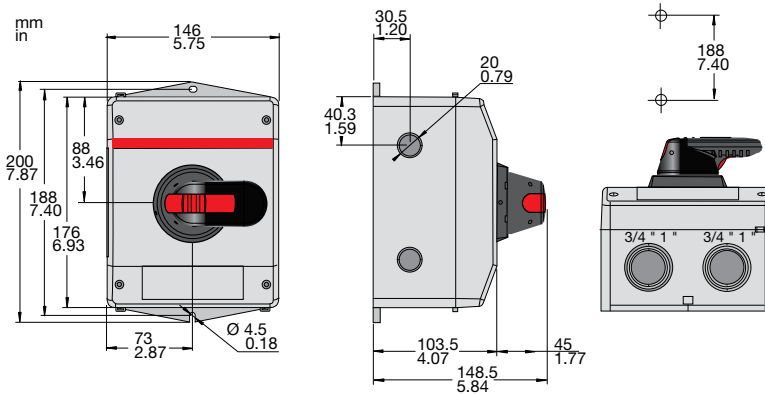
eOT16_, eOT32_ (enclosure size 1)



eOT45U_ (enclosure size 2 with selector handle)



eOT45U_ (enclosure size 2 with pistol grip handle)

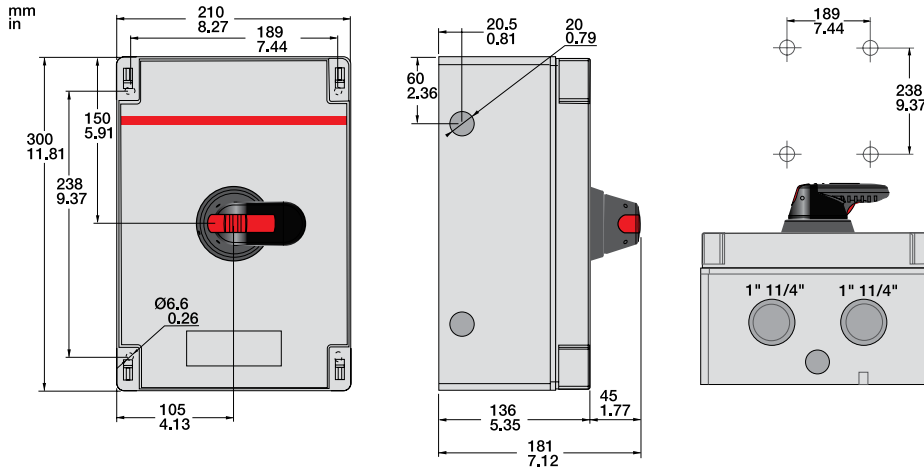


Disconnect
switches
Non-fusible
Enclosed

eOT Enclosed manual motor controllers

Approximate dimensions
eOT63_

eOT63_ (enclosure size 3 with pistol grip handle)



General information

Non-fusible, fusible & lockable

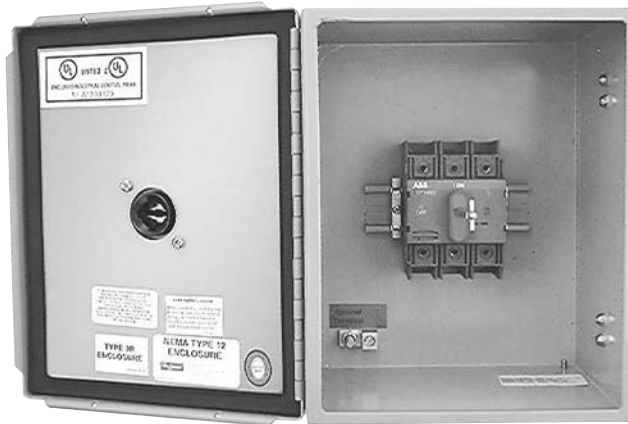
Disconnect
switches
Non-fusible
Enclosed

Non-Fusible

UL Listed to UL 508 and UL 98.
CSA approved
IEC rated
CE marked

Snap on accessories include additional poles, auxiliary contacts, etc.

Enclosures available in plastic, metal, or stainless steel in NEMA 1, 3R, 12, 4X, 7 & 9 environmental categories



Modern appearance

Quick make, quick brake mechanism

Heavy duty disconnect, 600VAC

Extremely compact size

Finger-proof construction. No hazardous exposed parts

3/4/6/8 pole constructions; transfer switches and by-pass switches available

Fusible

UL Listed to UL 98 standards.
CSA approved
IEC rated
CE marked

Snap on accessories include fuse monitors, auxiliary contacts, etc.

Enclosures available in plastic, metal, or stainless steel in NEMA 1, 3R, 12, 4X, 7 & 9 environmental categories

Fuse carriers available for US standards, BS, DIN, NFC standard and for various high speed fuse patterns



Modern appearance

Quick make, quick brake mechanism

Heavy duty disconnect, 600VAC, 200kA, I_{SC}

Extreme compact size as fuse carriers are decked above contacts

Double contacts enabling feed from any direction and preventing back feed

Finger-proof construction. No hazardous exposed parts

3/4/6/8 pole constructions; transfer switches and by-pass switches available

Lockable

Clear position indications:
I-ON
O-OFF

Door interlocked when handle padlocked to OFF position

Handle padlockable with up to three padlocks



Door interlocked when handle is in ON position. Door interlock can be defeated by authorized personnel.

Pilot devices can be added

**Disconnect
switches**
Non-fusible
Enclosed

General information

Non-fusible, 16A - 3150A

Switch ratings, 16 – 3150 Amps, 600V

| UL General purpose amp rating | Maximum horsepower rating | | | | | | | Wire size for terminal lugs | For wire type | Approval |
|---|---------------------------|------|------|-------------|------|------|--------------------|-----------------------------|---------------|----------|
| | Single phase | | | Three phase | | | | | | |
| | 120V | 200V | 240V | 200V – 208V | 240V | 480V | 600V | | | |
| UL 508 ↑ 16 25 40 | 1 | 2 | 2 | 3 | 5 | 10 | 10 | #18 – 8 | Cu | CSA, UL |
| | 1.5 | 3 | 3 | 7.5 | 7.5 | 15 | 20 | #18 – 8 | Cu | CSA, UL |
| | 2 | 5 | 5 | 10 | 10 | 20 | 25 | #18 – 8 | Cu | CSA, UL |
| UL 98 ↑ 60 80 30 60 100 125 200 400 600 800 1200 1600 2000 3150 ① ↓ | 2 | 5 | 5 | 15 | 15 | 30 | 30 | #14 – 1 | Cu | CSA, UL |
| | 2 | 5 | 5 | 20 | 20 | 40 | 40 | #14 – 1 | Cu | CSA, UL |
| | 2 | 5 | 5 | 10 | 10 | 20 | 30 | #14 – 4 | Cu | CSA, UL |
| | 3 | 7.5 | 7.5 | 20 | 20 | 40 | 40 | #14 – 4 | Cu | CSA, UL |
| | 5 | 15 | 15 | 25 | 30 | 50 | 50 | #8 – 1/0 | Cu | CSA, UL |
| | 7.5 | 20 | 20 | 30 | 30 | 75 | 100 | #8 – 1/0 | Cu | CSA, UL |
| | — | — | — | 60 | 75 | 150 | 200 | #6 – 300 kcmil | Cu | CSA, UL |
| | — | — | — | 100 | 125 | 250 | 350 | #2 – 600 kcmil | Cu | CSA, UL |
| | — | — | — | 150 | 200 | 400 | 500 | (2) #2 – 600 kcmil | Cu | CSA, UL |
| | — | — | — | 200 | 250 | 500 | 600 | (2) #2 – 600 kcmil | Cu/Al | CSA, UL |
| | — | — | — | — | — | — | — | (4) #2 – 600 kcmil | Cu/Al | CSA, UL |
| | — | — | — | — | — | — | — | (4) #2 – 600 kcmil | Cu/Al | CSA, UL |
| — | — | — | — | — | — | — | (8) #2 – 600 kcmil | Cu/Al | CSA, UL | |
| — | — | — | — | — | — | — | (8) #2 – 600 kcmil | Cu/Al | IEC | |

Handle ratings, 16 – 3150 Amps, 600V

| Amperage range | Style type | NEMA | Color | Marking | Defeatable | Padlockable | Catalog number suffix | Catalog number | |
|----------------|------------|--------------|---------|--------------|------------|-------------|-----------------------|----------------|----------|
| 16 – 100 | Selector | 1,3R,12 | Black | O/I & OFF/ON | Yes | Yes | BJ | OHBS2AJ | |
| | Selector | 1,3R,12 | Red/Yel | | | | YJ | OHYS2AJ | |
| | Pistol | 1,3R,12 | Black | | | | B6 | OHBS65J6 | |
| | Pistol | 1,3R,12 | Red/Yel | | | | Y6 | OHYS65J6 | |
| | Pistol | 1,3R,4,4X,12 | Black | | | | B6 | OHBS65L6 | |
| | Pistol | 1,3R,4,4X,12 | Red/Yel | | | | Y6 | OHYS65L6 | |
| 125 - 200 | Pistol | 1,3R,12 | Black | O/I & OFF/ON | Yes | Yes | B6 | OHB65J6 | |
| | | 1,3R,12 | Red/Yel | | | | Y6 | OHY65J6 | |
| | | 1,3R,4,4X,12 | Black | | | | B8 | OHB80L6 | |
| | | 1,3R,4,4X,12 | Red/Yel | | | | Y8 | OHY80L6 | |
| 400 – 3150 | Pistol | 1,3R,12 | Black | O/I & OFF/ON | Yes | Yes | B4 | OHB145J12 | |
| | | 1,3R,12 | Red/Yel | | | | Y4 | OHY145J12 | |
| | | 1,3R,12 | Black | | | | B7 | OHB175J12 | |
| | | 1,3R,12 | Red/Yel | | | | Y7 | OHY175J12 | |
| | | 1,3R,4,4X,12 | Black | | | | B4 | OHB145L12 | |
| | | 1,3R,4,4X,12 | Red/Yel | | | | Y4 | OHY145L12 | |
| | | 1,3R,4,4X,12 | Black | | | | B7 | OHB175L12 | |
| | | 1,3R,4,4X,12 | Red/Yel | | | | Y7 | OHY175L12 | |
| 1,3R,4,4X,12 | Metal | 8 | YASDA-8 | | | | | | |
| 16 – 200 | Pistol | 1,3R,12 | Black | I/O/II | Yes | Yes | B8 | OHB80J6E011 | |
| | | 1,3R,4,4X,12 | | | | | | OHB80L6E011 | |
| 400 | Pistol | 1,3R,12 | Black | I/O/II | Yes | Yes | B4 | OHB145J12E011 | |
| | | 1,3R,4,4X,12 | | | | | | OHB145L12E011 | |
| 400 – 3150 | Pistol | 1,3R,12 | Black | I/O/II | Yes | Yes | B7 | OHB175J12E011 | |
| | Pistol | 1,3R,4,4X,12 | | | | | | OHB175L12E011 | |
| | Metallic | 1,3R,4,4X,12 | | | | | | 21 | YASDA-21 |
| | Metallic | 1,3R,4,4X,12 | | | | | | 6 | YASDA-6 |

① IEC rated only.

General information

Fusible, 30A – 800A

Disconnect
switches
Fusible
Enclosed

Switch ratings

| UL general purpose amp rating | Maximum horsepower rating | | | | | | | | Wire size for terminal lugs | For wire type | Approval ① |
|-------------------------------|---------------------------|------|------|------|-------------|------|------|------|-----------------------------|---------------|------------|
| | Single phase | | | | Three phase | | | | | | |
| | 120V | 200V | 240V | 200V | 208V | 240V | 480V | 600V | | | |
| 30 | 2 | 3 | 5 | 5 | 7.5 | 7.5 | 15 | 20 | #18 – 8 | Cu | CSA, UL |
| 60 | 3 | 7.5 | 10 | 15 | 15 | 15 | 30 | 50 | #14 – 4 | Cu | CSA, UL |
| 100 | 5 | 10 | 15 | 25 | 25 | 30 | 60 | 75 | #14 – 2/0 | Cu/Al | CSA, UL |
| 200 | — | — | — | 50 | 50 | 60 | 125 | 150 | #6 – 300 kcmil | Cu/Al | CSA, UL |
| 400 | — | — | — | 100 | 125 | 125 | 250 | 350 | #2 – 600 kcmil | Cu/Al | CSA, UL |
| 600 | — | — | — | 150 | 150 | 200 | 400 | 500 | (2) #2 – 600 kcmil | Cu/Al | CSA, UL |
| 800 | — | — | — | 200 | 200 | 250 | 500 | 600 | (2) #2 – 600 kcmil | Cu/Al | CSA, UL |

Handle ratings

| Amperage range | Style type | NEMA | Color | Marking | Defeatable | Padlockable | Catalog number suffix | Catalog number | |
|----------------|------------|--------------|---------|--------------|------------|-------------|-----------------------|----------------|----------------|
| 30 | Selector | 1,3R,12 | Black | O/I & OFF/ON | Yes | Yes | BJ | OHBS2AJ | |
| | Selector | 1,3R,12 | Red/Yel | | | | YJ | OHYS2AJ | |
| | Pistol | 1,3R,12 | Black | | | | B6 | OHBS65J6 | |
| | Pistol | 1,3R,12 | Red/Yel | | | | Y6 | OHYS65J6 | |
| | Pistol | 1,3R,4,4X,12 | Black | | | | B6 | OHBS65L6 | |
| | Pistol | 1,3R,4,4X,12 | Red/Yel | | | | Y6 | OHYS65L6 | |
| 60 – 200 | Pistol | 1,3R,12 | Black | O/I & OFF/ON | Yes | Yes | B6 | OHBS65J6 | |
| | | 1,3R,12 | Red/Yel | | | | Y6 | OHYS65J6 | |
| | | 1,3R,12 | Black | | | | B8 | OHBS80J6 | |
| | | 1,3R,12 | Red/Yel | | | | Y8 | OHBS80J6 | |
| | | 1,3R,4,4X,12 | Black | | | | B8 | OHBS80L6 | |
| | | 1,3R,4,4X,12 | Red/Yel | | | | Y8 | OHYS80L6 | |
| 400 – 800 | Pistol | 1,3R,12 | Black | O/I & OFF/ON | Yes | Yes | B4 | OHBS145J12 | |
| | | 1,3R,12 | Red/Yel | | Yes | | Y4 | OHYS145J12 | |
| | | 1,3R,12 | Black | | Yes | | B7 | OHBS175J12 | |
| | | 1,3R,12 | Red/Yel | | Yes | | Y7 | OHYS175J12 | |
| | | 1,3R 4,4X,12 | Black | | Yes | | B4 | OHBS145L12 | |
| | | 1,3R,4,4X,12 | Red/Yel | | Yes | | Y4 | OHYS145L12 | |
| | | 1,3R 4,4X,12 | Black | | Yes | | B7 | OHBS175L12 | |
| | | 1,3R,4,4X,12 | Red/Yel | | Yes | | Y7 | OHYS175L12 | |
| | | 1,3R,4,4X,12 | Metal | | No | | 8 | YASDA-8 | |
| 30 | Pistol | 1,3R,12 | Black | I/O/II | Yes | Yes | B6 | OHBS65J6E011 | |
| | | 1,3R,4,4X,12 | | | | | | OHBS65L6E011 | |
| 60 – 200 | Pistol | 1,3R,12 | Black | I/O/II | Yes | Yes | B8 | OHBS80J6E011 | |
| | | 1,3R,4,4X,12 | | | | | | OHBS80L6E011 | |
| 400 – 800 | Pistol | 1,3R,12 | Black | I/O/II | Yes | Yes | B4 | OHBS145J12E011 | |
| | Pistol | 1,3R,4,4X,12 | Black | | Yes | | | B4 | OHBS145L12E011 |
| | Pistol | 1,3R,12 | Black | | Yes | | | B7 | OHBS175J12E011 |
| | Pistol | 1,3R,4,4X,12 | Black | | Yes | | | B7 | OHBS175L12E011 |
| | Metallic | 1,3R,4,4X,12 | Metal | | No | | | 21 | YASDA-21 |
| | Metallic | 1,3R,4,4X,12 | Metal | | No | | | 6 | YASDA-6 |

① Fusible switches are UL listed to the UL98 standard.

**Disconnect
switches**
Non-fusible
Enclosed

3 pole
16A – 3150A



NF32X-3PB6C



NF63X-3PB6A

3 Pole, 600V, 16A – 80A
Selector handle

| | | NEMA Enclosure type | | | | | | | |
|-------------------------------|--|---------------------|-------------|----------------|-------------|----------------|------------------------------------|------------------------------------|------------|
| | | 1 | | 3R | | 4 | | 4X Stainless | |
| UL general purpose amp rating | | Catalog number | List price | Catalog number | List price | Catalog number | List price | Catalog number | List price |
| UL 508 | | 16 | NF161-3PBJC | \$ 185 | NF163-3PBJC | \$ 259 | Not available with selector handle | Not available with selector handle | |
| | | 25 | NF251-3PBJC | 190 | NF253-3PBJC | 264 | | | |
| | | 40 | NF321-3PBJC | 205 | NF323-3PBJC | 279 | | | |
| | | 60 | NF451-3PBJB | 245 | NF453-3PBJB | 320 | | | |
| | | 80 | NF631-3PBJA | 280 | NF633-3PBJA | 354 | | | |

3 Pole, 600V, 16A – 3150A
Pistol handle

| | | NEMA Enclosure type | | | | | | | | |
|-------------------------------|--------------|---------------------|---------------|----------------|---------------|----------------|---------------|----------------|---------------|--------|
| | | 1 | | 3R | | 4 | | 4X Stainless | | |
| UL general purpose amp rating | | Catalog number | List price | Catalog number | List price | Catalog number | List price | Catalog number | List price | |
| UL 508 | | 16 | NF161-3PB6C | \$ 235 | NF163-3PB6C | \$ 309 | NF164-3PB6A | \$ 475 | NF16X-3PB6C ② | \$ 585 |
| | | 25 | NF251-3PB6C | 240 | NF253-3PB6C | 314 | NF254-3PB6A | 480 | NF25X-3PB6C ② | 590 |
| | | 40 | NF321-3PB6C | 255 | NF323-3PB6C | 329 | NF324-3PB6A | 495 | NF32X-3PB6C ② | 605 |
| | | 60 | NF451-3PB6B | 295 | NF453-3PB6B | 370 | NF454-3PB6B | 525 | NF45X-3PB6B | 635 |
| | | 80 | NF631-3PB6A | 330 | NF633-3PB6A | 404 | NF634-3PB6A | 550 | NF63X-3PB6A | 660 |
| UL 98 | | 30 | NF301-3PB6C | 510 | NF303-3PB6C | 780 | NF304-3PB6C | 1,090 | NF30X-3PB6C | 1,200 |
| | | 60 | NF601-3PB6C | 560 | NF603-3PB6C | 830 | NF604-3PB6C | 1,140 | NF60X-3PB6C | 1,250 |
| | | 100 | NF1001-3PB6B | 610 | NF1003-3PB6B | 880 | NF1004-3PB6B | 1,190 | NF100X-3PB6B | 1,300 |
| | | 125 | NF1251-3PB6A | 1,100 | NF1253-3PB6A | 1,400 | NF1254-3PB8A | 2,800 | NF125X-3PB8A | 3,500 |
| | | 200 | NF2001-3PB8B | 1,300 | NF2003-3PB8B | 1,650 | NF2004-3PB8B | 3,520 | NF200X-3PB8B | 4,400 |
| | | 400 | NF4001-3PB4B | 2,600 | NF4003-3PB4B | 2,800 | NF4004-3PB4B | 6,400 | NF400X-3PB4B | 8,000 |
| | | 600 | NF6001-3PB7B | 4,800 | NF6003-3PB7B | 5,000 | NF6004-3PB7B | 9,600 | NF600X-3PB7B | 12,000 |
| | | 800 | NF8001-3PB4A | 8,000 | NF8003-3PB4A | 9,400 | NF8004-3PB4A | 15,200 | NF800X-3PB4A | 19,000 |
| | | 1200 | NF12001-3PB4A | 10,000 | NF12003-3PB4A | 11,800 | NF12004-3PB4A | 18,000 | NF1200X-3PB4A | 22,500 |
| | | 1600 | NF16001-3P8A | 19,000 | NF16003-3P8A | 20,800 | NF16004-3P8A | 30,400 | NF1600X-3P8A | 38,000 |
| 2000 | NF20001-3P8A | 23,000 | NF20003-3P8A | 25,000 | NF20004-3P8A | 35,200 | NF2000X-3P8A | 44,000 | | |
| 3150 ① | NF31501-3P8A | 28,000 | NF31503-3P8A | 30,000 | NF31504-3P8A | 39,200 | NF3150X-3P8A | 49,000 | | |

NOTE: All enclosed switches are provided with a black handle; however, most handles can be substituted with a red and yellow handle if desired. Please substitute the handle suffix code (2nd and 3rd from last characters) with the red/yellow handle catalog number suffix from page 18.130. There is no additional price adder for changing to a red/yellow handle of equal ratings and style.

EXAMPLE: A red/yellow selector handle for an NF161-3PBJA can be substituted for the black selector handle by using the "YJ" suffix instead of the "BJ" suffix, new catalog #NF161-3PYJA.

① IEC rated only.
② New Washdown.

3 pole 16A – 3150A

Disconnect
switches
Non-fusible
Enclosed



NF25P-3PY6A

3 Pole, 600V, 16A – 80A Selector handle

| UL general purpose amp rating | | NEMA Enclosure type | | | | | |
|----------------------------------|---------------|---------------------|------------|----------------|------------|----------------|------------|
| | | 12 Plastic | | 12 | | 7 & 9 | |
| | | Catalog number | List price | Catalog number | List price | Catalog number | List price |
| UL 508 | 16 | NF16P-3PBJA | \$ 295 | NF162-3PBJC | \$ 259 | — | — |
| | 16, oversized | — | — | — | — | — | — |
| | 25 | NF25P-3PBJA | 300 | NF252-3PBJC | 264 | — | — |
| | 25, oversized | — | — | — | — | — | — |
| | 40 | NF32P-3PBJA | 315 | NF322-3PBJC | 279 | — | — |
| | 40, oversized | — | — | — | — | — | — |
| | 60 | NF45P-3PBJB | 350 | NF452-3PBJB | 320 | — | — |
| | 80 | NF63P-3PBJA | 380 | NF632-3PBJA | 354 | — | — |

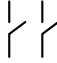
3 Pole, 600V, 16A – 3150A Pistol handle

| UL general purpose amp rating | | NEMA Enclosure type | | | | | |
|----------------------------------|------|---------------------|------------|----------------|------------|----------------|------------|
| | | 4X Plastic | | 12 | | 7 & 9 | |
| | | Catalog number | List price | Catalog number | List price | Catalog number | List price |
| UL 508 | 16 | NF16P-3PB6A | \$ 345 | NF162-3PB6C | \$ 309 | NF167-3P | \$ 1,900 |
| | 25 | NF25P-3PB6A | 350 | NF252-3PB6C | 314 | NF257-3P | 1,925 |
| | 40 | NF32P-3PB6A | 365 | NF322-3PB6C | 329 | NF327-3P | 1,950 |
| | 60 | NF45P-3PB6B | 400 | NF452-3PB6B | 370 | NF457-3P | 3,600 |
| | 80 | NF63P-3PB6A | 430 | NF632-3PB6A | 400 | NF637-3P | 3,630 |
| UL 98 | 30 | NF30P-3PB6B | 875 | NF302-3PB6B | 780 | NF307-3P | 4,150 |
| | 60 | NF60P-3PB6B | 925 | NF602-3PB6C | 830 | NF607-3P | 4,200 |
| | 100 | NF100P-3PB6B | 975 | NF1002-3PB6B | 880 | NF1007-3P | 4,250 |
| | 125 | NF125P-3PB8A | 3,000 | NF1252-3PB6A | 1,400 | — | — |
| | 200 | NF200P-3PB8B | 4,000 | NF2002-3PB8B | 1,600 | — | — |
| | 400 | NF400P-3PB4B | 6,000 | NF4002-3PB4B | 2,900 | — | — |
| | 600 | NF600P-3PB7B | 10,000 | NF6002-3PB7B | 5,100 | — | — |
| | 800 | NF800P-3PB4A | 16,000 | NF8002-3PB4A | 8,400 | — | — |
| | 1200 | NF1200P-3PB4A | 19,000 | NF12002-3PB4A | 10,400 | — | — |
| | 1600 | — | — | NF16002-3P8A | 19,400 | — | — |
| | 2000 | — | — | NF20002-3P8A | 23,400 | — | — |
| | 3150 | — | — | NF31502-3P8A | 28,400 | — | — |

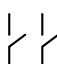
**Disconnect
switches**
Non-fusible
Enclosed

2 pole ① 125A – 3150A

2 Pole, 600V, 125A – 3150A

| | | NEMA Enclosure type | | | | | | | | |
|-------------------------------|---|---------------------|---------------|----------------|---------------|----------------|---------------|----------------|---------------|----------|
| | | 1 | | 3R | | 4 | | 4X Stainless | | |
| UL general purpose amp rating | | Catalog number | List price | Catalog number | List price | Catalog number | List price | Catalog number | List price | |
| UL 98 |  | 125 | NF1251-2PB6A | \$ 825 | NF1253-2PB6A | \$ 1,050 | NF1254-2PB8A | \$ 2,100 | NF125X-2PB8A | \$ 2,625 |
| | | 200 | NF2001-2PB8C | 1,170 | NF2003-2PB8C | 1,485 | NF2004-2PB8C | 3,170 | NF200X-2PB8C | 3,960 |
| | | 400 | NF4001-2PB4C | 2,340 | NF4003-2PB4C | 2,520 | NF4004-2PB4C | 5,750 | NF400X-2PB4C | 7,200 |
| | | 600 | NF6001-2PB7B | 4,320 | NF6003-2PB7B | 4,500 | NF6004-2PB7B | 8,640 | NF600X-2PB7B | 10,800 |
| | | 800 | NF8001-2PB4A | 7,200 | NF8003-2PB4A | 8,460 | NF8004-2PB4A | 13,680 | NF800X-2PB4A | 17,100 |
| | | 1200 | NF12001-2PB4A | 9,000 | NF12003-2PB4A | 10,620 | NF12004-2PB4A | 16,200 | NF1200X-2PB4A | 20,250 |
| | | 1600 | NF16001-2P8A | 17,100 | NF16003-2P8A | 18,720 | NF16004-2P8A | 27,360 | NF1600X-2P8A | 34,200 |
| | | 2000 | NF20001-2P8A | 20,700 | NF20003-2P8A | 22,500 | NF20004-2P8A | 31,680 | NF2000X-2P8A | 39,600 |
| | | 3150 | NF31501-2P8A | 25,200 | NF31503-2P8A | 27,000 | NF31504-2P8A | 35,280 | NF3150X-2P8A | 44,100 |

2 Pole, 600V, 125A – 3150A

| | | NEMA Enclosure type | | | | |
|-------------------------------|---|---------------------|---------------|----------------|---------------|----------|
| | | 4X Plastic | | 12 | | |
| UL general purpose amp rating | | Catalog number | List price | Catalog number | List price | |
| UL 98 |  | 125 | NF125P-2PB8A | \$ 2,250 | NF1252-2PB6A | \$ 1,050 |
| | | 200 | NF200P-2PB8C | 3,600 | NF2002-2PB8C | 1,440 |
| | | 400 | NF400P-2PB4C | 5,400 | NF4002-2PB4C | 2,610 |
| | | 600 | NF600P-2PB7B | 9,000 | NF6002-2PB7B | 4,590 |
| | | 800 | NF800P-2PB4A | 14,400 | NF8002-2PB4A | 7,560 |
| | | 1200 | NF1200P-2PB4A | 17,100 | NF12002-2PB4A | 9,360 |
| | | 1600 | — | — | NF16002-2P8A | 17,460 |
| | | 2000 | — | — | NF20002-2P8A | 21,060 |
| | | 3150 ① | — | — | NF31502-2P8A | 25,560 |

① 16A – 100A switches are not available in 2 pole versions; use 3 pole.

4 pole 16A – 3150A

Disconnect
switches
Non-fusible
Enclosed

4 Pole, 600V, 16A – 3150A

| UL general purpose amp rating | | NEMA Enclosure type | | | | | | | | |
|----------------------------------|--|---------------------|---------------|----------------|---------------|----------------|---------------|----------------|---------------|--------|
| | | 1 | | 3R | | 4 | | 4X Stainless | | |
| | | Catalog number | List price | Catalog number | List price | Catalog number | List price | Catalog number | List price | |
| UL508 | | 16 | NF161-4PB6C | \$ 295 | NF163-4PB6C | \$ 369 | NF164-4PB6A | \$ 530 | NF16X-4PB6C | \$ 665 |
| | | 25 | NF251-4PB6C | 300 | NF253-4PB6C | 374 | NF254-4PB6A | 535 | NF25X-4PB6C | 670 |
| | | 40 | NF321-4PB6C | 321 | NF323-4PB6C | 384 | NF324-4PB6A | 545 | NF32X-4PB6C | 680 |
| UL98 | | 60 | NF451-4PB6B | 360 | NF453-4PB6B | 434 | NF454-4PB6B | 570 | NF45X-4PB6B | 700 |
| | | 80 | NF631-4PB6A | 410 | NF633-4PB6A | 484 | NF634-4PB6A | 595 | NF63X-4PB6A | 740 |
| | | 30 | NF301-4PB6B | 650 | NF303-4PB6B | 988 | NF304-4PB6B | 1,200 | NF30X-4PB6B | 1,525 |
| | | 60 | NF601-4PB6B | 700 | NF603-4PB6B | 1,038 | NF604-4PB6B | 1,250 | NF60X-4PB6B | 1,575 |
| | | 100 | NF1001-4PB6B | 750 | NF1003-4PB6B | 1,088 | NF1004-4PB6B | 1,300 | NF100X-4PB6B | 1,625 |
| | | 125 | NF1251-4PB6A | 1,375 | NF1253-4PB6A | 1,675 | NF1254-4PB6A | 3,500 | NF125X-4PB8A | 4,375 |
| | | 200 | NF2001-4PB8B | 1,625 | NF2003-4PB8B | 2,063 | NF2004-4PB8B | 4,400 | NF200X-4PB8B | 5,500 |
| | | 400 | NF4001-4PB4B | 3,250 | NF4003-4PB4B | 3,500 | NF4004-4PB4B | 8,000 | NF400X-4PB4B | 10,000 |
| | | 600 | NF6001-4PB7B | 6,000 | NF6003-4PB7B | 6,250 | NF6004-4PB7B | 12,000 | NF600X-4PB7B | 15,000 |
| | | 800 | NF8001-4PB4A | 10,000 | NF8003-4PB4A | 11,750 | NF8004-4PB4A | 19,000 | NF800X-4PB4A | 23,750 |
| | | 1200 | NF12001-4PB4A | 12,500 | NF12003-4PB4A | 14,750 | NF12004-4PB4A | 22,500 | NF1200X-4PB4A | 28,125 |
| | | 1600 | NF16001-4P8A | 23,750 | NF16003-4P8A | 26,000 | NF16004-4P8A | 38,800 | NF1600X-4P8A | 47,500 |
| | | 2000 | NF20001-4P8A | 28,750 | NF20003-4P8A | 31,250 | NF20004-4P8A | 44,000 | NF2000X-4P8A | 55,000 |
| | | 3150 ① | NF31501-4P8A | 35,000 | NF31503-4P8A | 37,500 | NF31504-4P8A | 49,000 | NF3150X-4P8A | 61,250 |

4 Pole, 600V, 16A – 3150A

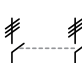

| UL general purpose amp rating | | NEMA Enclosure type | | | | | | |
|----------------------------------|--|---------------------|---------------|----------------|---------------|----------------|------------|----------|
| | | 4X Plastic | | 12 | | 7 & 9 | | |
| | | Catalog number | List price | Catalog number | List price | Catalog number | List price | |
| UL508 | | 16 | NF16P-4PB6A | \$ 405 | NF162-4PB6C | \$ 369 | NF167-4P | \$ 2,025 |
| | | 25 | NF25P-4PB6A | 410 | NF252-4PB6C | 374 | NF257-4P | 2,050 |
| | | 40 | NF32P-4PB6A | 420 | NF322-4PB6C | 384 | NF327-4P | 2,075 |
| UL98 | | 60 | NF45P-4PB6B | 465 | NF452-4PB6B | 434 | NF457-4P | 3,700 |
| | | 80 | NF63P-4PB6A | 510 | NF632-4PB6A | 484 | NF637-4P | 3,730 |
| | | 30 | NF30P-4PB6B | 1,100 | NF302-4PB6B | 925 | NF307-4P | 4,300 |
| | | 60 | NF60P-4PB6B | 1,150 | NF602-4PB6B | 975 | NF607-4P | 4,350 |
| | | 100 | NF100P-4PB6B | 1,200 | NF1002-4PB6B | 1,025 | NF1007-4P | 4,400 |
| | | 125 | NF125P-4PB8A | 3,750 | NF1252-4PB6A | 1,750 | — | — |
| | | 200 | NF200P-4PB8B | 5,000 | NF2002-4PB8B | 2,000 | — | — |
| | | 400 | NF400P-4PB4B | 7,500 | NF4002-4PB4B | 3,625 | — | — |
| | | 600 | NF600P-4PB7B | 12,500 | NF6002-4PB7B | 6,375 | — | — |
| | | 800 | NF800P-4PB4A | 20,000 | NF8002-4PB4A | 10,500 | — | — |
| | | 1200 | NF1200P-4PB4A | 23,750 | NF12002-4PB4A | 13,000 | — | — |
| | | 1600 | — | — | NF16002-4P8A | 24,250 | — | — |
| | | 2000 | — | — | NF20002-4P8A | 29,240 | — | — |
| | | 3150 | — | — | NF31502-4P8A | 35,500 | — | — |

① IEC rated only.

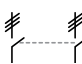
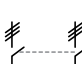
**Disconnect
switches
Non-fusible
Enclosed**

6 pole 16A – 1200A

6 Pole, 600V, 16A – 1200A

| UL general purpose amp rating ① | | NEMA Enclosure type | | | | | | | |
|--|--------------|---------------------|---------------|----------------|--------------|----------------|--------------|----------------|------------|
| | | 1 | | 3R | | 4 | | 4X Stainless | |
| | | Catalog number | List price | Catalog number | List price | Catalog number | List price | Catalog number | List price |
| UL508  | 16 | NF161-6PB6C | \$ 580 | NF163-6PB6C | \$ 728 | NF164-6PB6A | \$ 1,080 | NF16X-6PB6C | \$ 1,350 |
| | 25 | NF251-6PB6C | 590 | NF253-6PB6C | 738 | NF254-6PB6A | 1,090 | NF25X-6PB6C | 1,360 |
| | 40 | NF321-6PB6C | 610 | NF323-6PB6C | 758 | NF324-6PB6A | 1,110 | NF32X-6PB6C | 1,380 |
| UL98  | 60 | NF451-6PB6B | 690 | NF453-6PB6B | 838 | NF454-6PB6B | 1,140 | NF45X-6PB6B | 1,430 |
| | 80 | NF631-6PB6A | 770 | NF633-6PB6A | 918 | NF634-6PB6A | 1,185 | NF63X-6PB6A | 1,480 |
| | 30 | NF301-6PB6B | 1,230 | NF303-6PB6B | 1,770 | NF304-6PB6B | 2,110 | NF30X-6PB6B | 2,660 |
| | 60 | NF601-6PB6C | 850 | NF603-6PB6B | 1,820 | NF604-6PB6B | 2,160 | NF60X-6PB6B | 2,710 |
| | 100 | NF1001-6PB6B | 1,330 | NF1003-6PB6B | 1,870 | NF1004-6PB6B | 2,210 | NF100X-6PB6B | 2,760 |
| | 125 | NF1251-6PB2A | 2,200 | NF1253-6PB2A | 3,280 | NF1254-6PB4A | 5,600 | NF125X-6PB4A | 7,000 |
| | 200 | NF2001-6PB4B | 2,950 | NF2003-6PB4B | 3,650 | NF2004-6PB4B | 7,320 | NF200X-6PB4B | 9,150 |
| | 400 | NF4001-6PB8B | 5,860 | NF4003-6PB8B | 5,960 | NF4004-6PB8B | 13,090 | NF400X-6P8B | 16,360 |
| | 600 | NF6001-6PB8B | 9,960 | NF6003-6PB8B | 10,360 | NF6004-6PB8B | 19,490 | NF600X-6P8B | 16,360 |
| | 800 | NF8001-6PB8A | 16,360 | NF8003-6PB4A | 19,800 | NF8004-6PB4A | 30,690 | NF800X-6P8A | 38,360 |
| 1200 | NF12001-6P8A | 20,360 | NF12003-6PB4A | 23,960 | NF12004-6P8A | 36,290 | NF1200X-6P8A | 45,360 | |

6 Pole, 600V, 16A – 1200A

| UL general purpose amp rating | | NEMA Enclosure type | | | | | | | |
|--|--------------|---------------------|--------------|----------------|------------|----------------|------------|----------------|------------|
| | | 4X Plastic | | 12 | | 7 & 9 | | IP65 Plastic | |
| | | Catalog number | List price | Catalog number | List price | Catalog number | List price | Catalog number | List price |
| UL508  | 16 | NF16P-6PB6A | \$ 800 | NF162-6PB6C | \$ 728 | NF167-6P | \$ 3,750 | NF16E-6PB6B | \$ 410 |
| | 25 | NF25P-6PB6A | 810 | NF252-6PB6C | 738 | NF257-6P | 3,775 | NF25E-6PB6B | 420 |
| | 40 | NF32P-6PB6A | 830 | NF322-6PB6C | 758 | NF327-6P | 3,800 | NF32E-6PB6B | 450 |
| UL98  | 60 | NF45P-6PB6B | 930 | NF452-6PB6B | 838 | NF457-6P | 4,275 | NF45E-6PB6B | 520 |
| | 80 | NF63P-6PB6A | 1,030 | NF632-6PB6A | 918 | NF637-6P | 4,325 | NF63E-6PB6B | 770 |
| | 30 | NF30P-6PB6B | 1,900 | NF302-6PB6B | 1,670 | — | — | NF30E-6PB6B | 1,230 |
| | 60 | NF60P-6PB6B | 1,950 | NF602-6PB6B | 1,720 | — | — | NF60E-6PB6B | 1,280 |
| | 100 | NF100P-6PB6B | 2,000 | NF1002-6PB6B | 1,770 | — | — | NF100E-6PB6B | 1,330 |
| | 125 | NF125P-6PB4A | 6,000 | NF1252-6PB4A | 2,800 | — | — | — | — |
| | 200 | NF200P-6PB4B | 8,350 | NF2002-6PB4B | 3,550 | — | — | — | — |
| | 400 | NF400P-6P8B | 12,360 | NF4002-6P8B | 6,160 | — | — | — | — |
| | 600 | NF600P-6P8B | 20,360 | NF6002-6P8B | 10,560 | — | — | — | — |
| | 800 | NF800P-6P8A | 32,360 | NF8002-6P8A | 17,800 | — | — | — | — |
| 1200 | NF1200P-6P8A | 38,360 | NF12002-6P8A | 21,800 | — | — | — | — | |

①  = Three poles

3 pole double throw 16A – 1200A

Disconnect
switches
Non-fusible
Enclosed

3 Pole, 600V, 16A – 1200A

| | | NEMA Enclosure type | | | | | | | | |
|-------------------------------|---------------|---------------------|---------------|----------------|---------------|----------------|---------------|----------------|--------------|----------|
| | | 1 | | 3R | | 4 | | 4X Stainless | | |
| UL general purpose amp rating | | Catalog number | List price | Catalog number | List price | Catalog number | List price | Catalog number | List price | |
| UL508 | | 16 | NF161-3TB8C | \$ 760 | NF163-3TB8C | \$ 908 | NF164-3TB8C | \$ 1,200 | NF16X-3TB8C | \$ 1,850 |
| | | 25 | NF251-3TB8C | 770 | NF253-3TB8C | 918 | NF254-3TB8C | 1,230 | NF25X-3TB8C | 1,880 |
| | | 40 | NF321-3TB8C | 790 | NF323-3TB8C | 954 | NF324-3TB8C | 1,260 | NF32X-3TB8C | 1,950 |
| UL98 | | 60 | NF451-3TB8B | 870 | NF453-3TB8B | 1,018 | NF454-3TB8B | 1,340 | NF45X-3TB8B | 3,500 |
| | | 80 | NF631-3TB8A | 950 | NF633-3TB8A | 1,098 | NF634-3TB8A | 1,420 | NF63X-3TB8A | 3,600 |
| | | 30 | NF301-3TB8B | 1,410 | NF303-3TB8B | 1,830 | NF304-3TB8B | 2,400 | NF30X-3TB8B | 3,900 |
| | | 60 | NF601-3TB8B | 1,460 | NF603-3TB8B | 1,880 | NF604-3TB8B | 2,450 | NF60X-3TB8B | 3,950 |
| | | 100 | NF1001-3TB8B | 1,510 | NF1003-3TB8B | 1,930 | NF1004-3TB8B | 2,500 | NF100X-3TB8B | 4,000 |
| | | 125 | NF1251-3TB8A | 2,380 | NF1253-3TB8A | 2,980 | NF1254-3TB8A | 3,500 | NF125X-3TB8A | 5,000 |
| | | 200 | NF2001-3TB4B | 3,150 | NF2003-3TB4B | 3,850 | NF2004-3TB4B | 7,480 | NF200X-3TB4B | 9,350 |
| | | 400 | NF4001-3TB4B | 5,960 | NF4003-3TB4B | 6,160 | NF4004-3TB4B | 13,250 | NF400X-3TB4B | 16,560 |
| | | 600 | NF6001-3TB4A | 10,260 | NF6003-3TB4B | 10,660 | NF6004-3TB4A | 19,730 | NF600X-3TB4A | 24,660 |
| | | 800 | NF8001-3TB4A | 16,660 | NF8003-3TB4A | 19,460 | NF8004-3TB4A | 30,920 | NF800X-3TB4A | 38,660 |
| 1200 | NF12001-3TB4A | 20,660 | NF12003-3TB4A | 24,260 | NF12004-3TB4A | 36,530 | NF1200X-3TB4A | 45,660 | | |

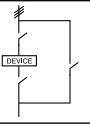
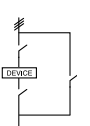
3 Pole, 600V, 16A – 1200A

| | | NEMA Enclosure type | | | | |
|-------------------------------|---------------|---------------------|---------------|----------------|--------------|--------|
| | | 4X Plastic | | 12 | | |
| UL general purpose amp rating | | Catalog number | List price | Catalog number | List price | |
| UL508 | | 16 | NF16P-3TB8A | \$ 1,000 | NF162-3TB8C | \$ 908 |
| | | 25 | NF25P-3TB8A | 1,040 | NF252-3TB8C | 918 |
| | | 40 | NF32P-3TB8A | 1,100 | NF322-3TB8C | 938 |
| UL98 | | 60 | NF45P-3TB8B | 1,180 | NF452-3TB8B | 1,018 |
| | | 80 | NF63P-3TB8A | 1,260 | NF632-3TB8A | 1,098 |
| | | 30 | NF30P-3TB8B | 2,000 | NF302-3TB8B | 1,730 |
| | | 60 | NF60P-3TB8B | 2,050 | NF602-3TB8B | 1,830 |
| | | 100 | NF100P-3TB8B | 2,100 | NF1002-3TB8B | 1,930 |
| | | 125 | NF125P-3TB8A | 3,200 | NF1252-3TB8A | 2,980 |
| | | 200 | NF200P-3TB4B | 8,550 | NF2002-3TB4B | 3,750 |
| | | 400 | NF400P-3TB4B | 12,560 | NF4002-3TB4B | 6,460 |
| | | 600 | NF600P-3TB4A | 20,660 | NF6002-3TB4A | 10,760 |
| | | 800 | NF800P-3TB4A | 32,660 | NF8002-3TB4A | 17,460 |
| 1200 | NF1200P-3TB4A | 38,660 | NF12002-3TB4A | 21,460 | | |

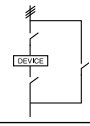
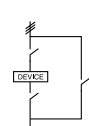
**Disconnect
switches**
Non-fusible
Enclosed

3 pole bypass 16A – 1200A

3 Pole, 600V, 16A – 1200A

| | | NEMA Enclosure type | | | | | | | | |
|-------------------------------|---|---------------------|--------------|----------------|--------------|----------------|--------------|----------------|--------------|----------|
| | | 1 | | 3R | | 4 | | 4X Stainless | | |
| UL general purpose amp rating | | Catalog number | List price | Catalog number | List price | Catalog number | List price | Catalog number | List price | |
| UL508 |  | 16 | NF161-3BB8A | \$ 1,045 | NF163-3BB8A | \$ 1,267 | NF164-3BB8A | \$ 1,480 | NF16X-3BB8A | \$ 3,740 |
| | | 25 | NF251-3BB8A | 1,060 | NF253-3BB8A | 1,282 | NF254-3BB8A | 1,540 | NF25X-3BB8A | 3,820 |
| | | 40 | NF321-3BB8A | 1,090 | NF323-3BB8A | 1,297 | NF324-3BB8A | 1,600 | NF32X-3BB8A | 3,900 |
| | | 60 | NF451-3BB8B | 1,215 | NF453-3BB8B | 1,312 | NF454-3BB8B | 1,750 | NF45X-3BB8B | 4,050 |
| UL98 |  | 80 | NF631-3BB8A | 1,340 | NF633-3BB8A | 1,432 | NF634-3BB8A | 1,850 | NF63X-3BB8A | 4,150 |
| | | 30 | NF301-3BB8B | 1,970 | NF303-3BB8B | 2,300 | NF304-3BB8B | 2,800 | NF30X-3BB8B | 4,800 |
| | | 60 | NF601-3BB8B | 2,070 | NF603-3BB8B | 2,400 | NF604-3BB8B | 2,900 | NF60X-3BB8B | 4,900 |
| | | 100 | NF1001-3BB8B | 2,170 | NF1003-3BB8B | 2,500 | NF1004-3BB8B | 3,000 | NF100X-3BB8B | 5,000 |
| | | 125 | — | — | — | — | — | — | — | — |
| | | 200 | — | — | — | — | — | — | — | — |
| | | 400 | NF4001-3B6B | 8,460 | NF4003-3B6B | 9,060 | NF4004-3B6B | 19,750 | NF400X-3B6B | 24,660 |
| | | 600 | NF6001-3B6B | 15,060 | NF6003-3B6B | 15,660 | NF6004-3B6B | 29,330 | NF600X-3B6B | 36,660 |
| | | 800 | NF8001-3B6A | 24,660 | NF8003-3B6A | 28,860 | NF8004-3B6A | 46,130 | NF800X-3B6A | 57,660 |
| | | 1200 | NF12001-3B6A | 30,660 | NF12003-3B6A | 30,060 | NF12004-3B6A | 55,040 | NF1200X-3B6A | 68,800 |

3 Pole, 600V, 16A – 1200A

| | | NEMA Enclosure type | | | | |
|-------------------------------|---|---------------------|--------------|----------------|--------------|----------|
| | | 4X Plastic | | 12 | | |
| UL general purpose amp rating | | Catalog number | List price | Catalog number | List price | |
| UL508 |  | 16 | NF16P-3BB8A | \$ 1,300 | NF162-3BB8A | \$ 1,267 |
| | | 25 | NF25P-3BB8A | 1,325 | NF252-3BB8A | 1,282 |
| | | 40 | NF32P-3BB8A | 1,350 | NF322-3BB8A | 1,297 |
| | | 60 | NF45P-3BB8B | 1,420 | NF452-3BB8B | 1,312 |
| UL98 |  | 80 | NF63P-3BB8A | 1,550 | NF632-3BB8A | 1,432 |
| | | 30 | NF30P-3BB8B | 2,400 | NF302-3BB8B | 2,300 |
| | | 60 | NF60P-3BB8B | 2,500 | NF602-3BB8B | 2,400 |
| | | 100 | NF100P-3BB8B | 2,600 | NF1002-3BB8B | 2,500 |
| | | 125 | — | — | — | — |
| | | 200 | — | — | — | — |
| | | 400 | NF400P-3B6B | 18,660 | NF4002-3B6B | 9,360 |
| | | 600 | NF600P-3B6B | 30,660 | NF6002-3B6B | 15,960 |
| | | 800 | NF800P-3B6A | 48,660 | NF8002-3B6A | 25,860 |
| | | 1200 | NF1200P-3B6A | 57,660 | NF12002-3B6A | 31,860 |

3 pole mechanically interlocked 16A – 1200A

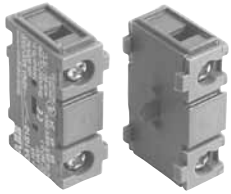
Disconnect
switches
Non-fusible
Enclosed

3 Pole, 600V, 16A – 1200A

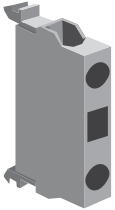
| | | NEMA Enclosure type | | | | | | | | |
|-------------------------------|---------------|---------------------|---------------|----------------|---------------|----------------|---------------|----------------|--------------|----------|
| | | 1 | | 3R | | 4 | | 4X Stainless | | |
| UL general purpose amp rating | | Catalog number | List price | Catalog number | List price | Catalog number | List price | Catalog number | List price | |
| UL508 | | 16 | NF161-3MB6A | \$ 640 | NF163-3MB6A | \$ 788 | NF164-3MB6A | \$ 1,120 | NF16X-3MB6A | \$ 1,410 |
| | | 25 | NF251-3MB6A | 650 | NF253-3MB6A | 798 | NF254-3MB6A | 1,160 | NF25X-3MB6A | 1,420 |
| | | 40 | NF321-3MB6A | 670 | NF323-3MB6A | 818 | NF324-3MB6A | 1,170 | NF32X-3MB6A | 1,440 |
| UL98 | | 60 | NF451-3MB6B | 750 | NF453-3MB6B | 908 | NF454-3MB6B | 1,200 | NF45X-3MB6B | 1,490 |
| | | 80 | NF631-3MB6A | 830 | NF633-3MB6A | 978 | NF634-3MB6A | 1,245 | NF63X-3MB6A | 1,540 |
| | | 30 | NF301-3MB6B | 1,290 | NF303-3MB6B | 1,830 | NF304-3MB6B | 2,170 | NF30X-3MB6B | 2,700 |
| | | 60 | NF601-3MB6B | 1,340 | NF603-3MB6B | 1,880 | NF604-3MB6B | 2,210 | NF60X-3MB6B | 2,770 |
| | | 100 | NF1001-3MB6B | 1,390 | NF1003-3MB6B | 1,930 | NF1004-3MB6B | 2,270 | NF100X-3MB6B | 2,800 |
| | | 125 | NF1251-3MB6A | 2,260 | NF1253-3MB6A | 2,860 | NF1254-3MB8A | 5,660 | NF125X-3MB8A | 7,060 |
| | | 200 | NF2001-3MB8B | 3,010 | NF2003-3MB8B | 3,710 | NF2004-3MB8B | 7,380 | NF200X-3MB8B | 9,210 |
| | | 400 | NF4001-3MB4B | 5,920 | NF4003-3MB4B | 6,030 | NF4004-3MB4B | 13,150 | NF400X-3MB4B | 16,420 |
| | | 600 | NF6001-3MB4B | 10,020 | NF6003-3MB4B | 10,420 | NF6004-3MB4B | 19,550 | NF600X-3MB4B | 24,420 |
| | | 800 | NF8001-3MB4A | 16,420 | NF8003-3MB4A | 19,860 | NF8004-3MB4A | 30,750 | NF800X-3MB4A | 38,420 |
| 1200 | NF12001-3MB4A | 20,420 | NF12003-3MB4A | 24,020 | NF12004-3MB4A | 36,350 | NF1200X-3MB4A | 45,420 | | |

3 Pole, 600V, 16A – 1200A

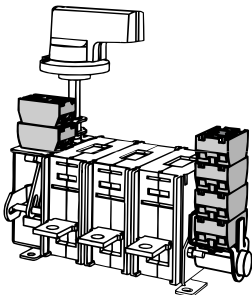
| | | NEMA Enclosure type | | | | |
|-------------------------------|---------------|---------------------|---------------|----------------|--------------|--------|
| | | 4X Plastic | | 12 | | |
| UL general purpose amp rating | | Catalog number | List price | Catalog number | List price | |
| UL508 | | 16 | NF16P-3MB6A | \$ 860 | NF162-3MB6A | \$ 788 |
| | | 25 | NF25P-3MB6A | 870 | NF252-3MB6A | 798 |
| | | 40 | NF32P-3MB6A | 890 | NF322-3MB6A | 818 |
| UL98 | | 60 | NF45P-3MB6B | 990 | NF452-3MB6B | 908 |
| | | 80 | NF63P-3MB6A | 1,090 | NF632-3MB6A | 978 |
| | | 30 | NF30P-3MB6B | 1,900 | NF302-3MB6B | 1,830 |
| | | 60 | NF60P-3MB6B | 1,950 | NF602-3MB6B | 1,880 |
| | | 100 | NF100P-3MB6B | 2,000 | NF1002-3MB6B | 1,930 |
| | | 125 | NF125P-3MB8A | 6,000 | NF1252-6PB6A | 2,860 |
| | | 200 | NF200P-3MB8B | 8,350 | NF2002-3MB8B | 3,710 |
| | | 400 | NF400P-3MB4B | 12,360 | NF4002-3MB4B | 6,030 |
| | | 600 | NF600P-3MB4B | 20,360 | NF6002-3MB4B | 10,420 |
| | | 800 | NF800P-3MB4A | 32,360 | NF8002-3MB4A | 19,860 |
| 1200 | NF1200P-3MB4A | 38,360 | NF12002-3MB4A | 24,020 | | |



OA1G_



OBEA_



OZ XK_



3 Position selector switch



Pilot light

Auxiliary contacts

| For use on: | Contact configuration | Catalog number | Installation suffix | Installed list price adder |
|--------------|-----------------------|----------------|---------------------|----------------------------|
| 16A – 100A | 1 N.O. | OA1G10 | add "10" suffix | \$ 30 |
| | 1 N.C. | OA1G01 | add "01" suffix | 30 |
| | 1 N.O. & 1 N.C. | OA2G11 | add "11" suffix | 60 |
| 125A | 1 N.O. | OBEA-10 | add "10" suffix | 50 |
| | 1 N.C. | OBEA-01 | add "01" suffix | 50 |
| 200A – 600A | 1 N.O. | OA1G10 | add "10" suffix | 30 |
| | 1 N.C. | OA3G01 | add "01" suffix | 30 |
| 800A – 3150A | 1 N.O. & 1 N.C. | OZ XK-1 | add "11" suffix | 130 |
| | 2 N.O. & 2 N.C. | OZ XK-2 | add "22" suffix | 200 |

Accessories ①

| For use on: | Description | Installation suffix | Installed list price adder |
|---|----------------------------------|---------------------|----------------------------|
| OT16, 25,32 OT45, 63 OT30, 60, 100 OT160 | Neutral or isolated ground block | N or G | \$ 30 |
| | Neutral or isolated ground block | N or G | 54 |
| | Neutral or isolated ground block | N or G | 75 |
| | Neutral or isolated ground block | N or G | 150 |
| | Neutral block | N | 210 |
| 200A – 1200A 1600A – 3150A | Neutral block | N | 350 |
| | Neutral block | N | 350 |
| 30A – 1200A 30A – 1200A | Service entrance, 3 wire | U | 100 |
| | Service entrance, 4 wire | V | 200 |
| 16A – 3150A | Start/stop pushbuttons | A | 68 |
| | 2 position selector switch | C | 68 |
| | 3 position selector switch | D | 78 |
| | Pilot light "red/run" | E | 110 |
| | Ammeter 1 phase ② | AM | 940 |
| | Voltmeter ② | VM | 2300 |

① Please consult factory for special customer requirements.

② Current transformers included.

3 Pole 30A – 800A

Disconnect
switches
Fusible
Enclosed



FJ30X-3PB6B

3 Pole, 600V, 30A – 800A ①

NEMA Enclosure type

| UL general purpose amp rating | Fuse type | 1 | | 3R | | 4 | | 4X Stainless | | |
|-------------------------------------|--------------|-------------------|---------------|-------------------|---------------|-------------------|---------------|-------------------|---------------|-----------------|
| | | Catalog number | List price | Catalog number | List price | Catalog number | List price | Catalog number | List price | |
| | 30 | J | FJ301-3PB6B | \$ 560 | FJ303-3PB6B | \$ 600 | FJ304-3PB6B | \$ 1,100 | FJ30X-3PB6B | \$ 1,400 |
| | 30 | CC | FC301-3PB6B | | FC303-3PB6B | | FC304-3PB6B | | FC30X-3PB6B | |
| | 60 | J [Ⓜ] | FJ601-3PB6B | 660 | FJ603-3PB6B | 860 | FJ604-3PB6B | 1,300 | FJ60X-3PB6B | 1,800 |
| | 100 | J [Ⓜ] | FJ1001-3PB8B | 960 | FJ1003-3PB8B | 1,140 | FJ1004-3PB8B | 2,800 | FJ100X-3PB8B | 3,800 |
| | 200 | J [Ⓜ] | FJ2001-3PB8C | 2,200 | FJ2003-3PB8C | 2,400 | FJ2004-3PB8C | 3,900 | FJ200X-3PB8C | 5,000 |
| | 400 | J [Ⓜ] | FJ4001-3PB4C | 3,800 | FJ4003-3PB4C | 4,200 | FJ4004-3PB4C | 7,700 | FJ400X-3PB4B | 10,800 |
| | 600 | J [Ⓜ] | FJ6001-3PB7C | 5,300 | FJ6003-3PB7C | 6,800 | FJ6004-3PB7C | 11,000 | FJ600X-3PB7C | 16,000 |
| | 800 | L | FL8001-3PB4B | 9,500 | FL8003-3PB4B | 11,200 | FL8004-3PB4B | 16,000 | FL800X-3PB4B | 21,000 |

3 Pole, 600V, 30A – 800A ①

NEMA Enclosure type

| UL general purpose amp rating | Fuse type | 4X Plastic | | 12 | | |
|-------------------------------------|--------------|-------------------|---------------|-------------------|---------------|---------------|
| | | Catalog number | List price | Catalog number | List price | |
| | 30 | J | FJ30P-3PB6B | \$ 1,040 | FJ302-3PB6B | \$ 600 |
| | 30 | CC | FC30P-3PB6B | | FC302-3PB6B | |
| | 60 | J [Ⓜ] | FJ60P-3PB8B | 1,300 | FJ602-3PB6B | 860 |
| | 100 | J [Ⓜ] | FJ100P-3PB8B | 2,800 | FJ1002-3PB8B | 1,140 |
| | 200 | J [Ⓜ] | FJ200P-3PB8C | 4,400 | FJ2002-3PB8C | 2,400 |
| | 400 | J [Ⓜ] | FJ400P-3PB4C | 8,400 | FJ4002-3PB4C | 4,200 |
| | 600 | J [Ⓜ] | FJ600P-3PB7C | 13,600 | FJ6002-3PB7C | 6,200 |
| | 800 | L | FL800P-3PB4B | 17,400 | FL8002-3PB4B | 9,800 |

NOTE: All enclosed switches are provided with a black handle; however, most handles can be substituted with a red / yellow handle if desired. Please substitute the handle suffix code (2nd and 3rd from last characters) with the red/yellow handle catalog number suffix from page 18.130. There is no additional price adder for changing to a red/yellow handle of equal ratings and style.


EXAMPLE: A red/yellow pistol handle for an FJ301-3PB6B can be substituted for the black pistol handle by using the "Y6" suffix instead of the "B6" suffix, new catalog number: FJ301-3PY6B.


① Fusible switches are UL listed to the UL98 standard.

Disconnect
switches
Fusible
Enclosed

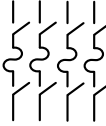
2 & 4 Pole 30A – 800A

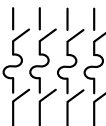
2 Pole, 600V, 30A – 800A

| UL general purpose amp rating | | Fuse type | NEMA Enclosure type | | | | | | | |
|---|-----|-----------|---------------------|------------|----------------|------------|----------------|------------|----------------|------------|
| | | | 1 | | 3R | | 4 | | 4X Stainless | |
| | | | Catalog number | List price | Catalog number | List price | Catalog number | List price | Catalog number | List price |
|  | 30 | J | — | — | — | — | — | — | — | — |
| | 30 | CC | — | — | — | — | — | — | — | — |
| | 60 | J | — | — | — | — | — | — | — | — |
| | 100 | J | FJ1001-2PB8B | \$ 864 | FJ1003-2PB8B | \$ 1,026 | FJ1004-2PB8B | \$ 2,735 | FJ100X-2PB8B | \$ 3,420 |
| | 200 | J | FJ2001-2PB8C | 1,980 | FJ2003-2PB8C | 2,160 | FJ2004-2PB8C | 3,600 | FJ200X-2PB8C | 4,500 |
| | 400 | J | FJ4001-2PB4C | 3,420 | FJ4003-2PB4C | 3,780 | FJ4004-2PB4C | 7,775 | FJ400X-2PB4C | 9,720 |
| | 600 | J | FJ6001-2PB7C | 4,770 | FJ6003-2PB7C | 6,120 | FJ6004-2PB7C | 11,520 | FJ600X-2PB7C | 14,400 |
| | 800 | L | FL8001-2PB4B | 8,550 | FL8003-2PB4B | 10,080 | FL8004-2PB4B | 15,120 | FL800X-2PB4B | 18,900 |

| UL general purpose amp rating | | Fuse type | NEMA Enclosure type | | | |
|---|-----|-----------|---------------------|------------|----------------|------------|
| | | | 4X Plastic | | 12 | |
| | | | Catalog number | List price | Catalog number | List price |
|  | 30 | J | — | — | — | — |
| | 30 | CC | — | — | — | — |
| | 60 | J | — | — | — | — |
| | 100 | J | FJ100P-2PB8B | \$ 2,520 | FJ1002-2PB8B | \$ 1,026 |
| | 200 | J | FJ200P-2PB8C | 3,960 | FJ2002-2PB8C | 2,160 |
| | 400 | J | FJ400P-2PB4C | 7,560 | FJ4002-2PB4C | 3,780 |
| | 600 | J | FJ600P-2PB7C | 12,240 | FJ6002-2PB7C | 5,580 |
| | 800 | L | FL800P-2PB4B | 15,660 | FL8002-2PB4B | 8,820 |

4 Pole, 600V, 30A – 800A

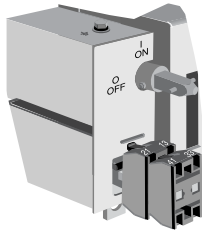
| UL general purpose amp rating | | Fuse type | NEMA Enclosure type | | | | | | | |
|---|-----|-----------|---------------------|------------|----------------|------------|----------------|------------|----------------|------------|
| | | | 1 | | 3R | | 4 | | 4X Stainless | |
| | | | Catalog number | List price | Catalog number | List price | Catalog number | List price | Catalog number | List price |
|  | 30 | J | FJ301-4PB6B | \$ 700 | FJ303-4PB6B | \$ 750 | FJ304-4PB6B | \$ 1,375 | FJ30X-4PB6B | \$ 1,750 |
| | 30 | CC | FC301-4PB6B | — | FC303-4PB6B | — | FC304-4PB6B | — | FC30X-4PB6B | — |
| | 60 | J | FJ601-4PB6B | 825 | FJ603-4PB6B | 1,075 | FJ604-4PB8B | 1,800 | FJ60X-4PB8B | 2,250 |
| | 100 | J | FJ1001-4PB8B | 1,200 | FJ1003-4PB8B | 1,425 | FJ1004-4PB8B | 3,800 | FJ100X-4PB8B | 4,750 |
| | 200 | J | FJ2001-4PB8C | 2,750 | FJ2003-4PB8C | 3,000 | FJ2004-4PB8C | 5,000 | FJ200X-4PB8C | 6,250 |
| | 400 | J | FJ4001-4PB4C | 4,750 | FJ4003-4PB4C | 5,250 | FJ4004-4PB4C | 10,800 | FJ400X-4PB4C | 13,500 |
| | 600 | J | FJ6001-4PB7C | 6,625 | FJ6003-4PB7C | 8,500 | FJ6004-4PB7C | 16,000 | FJ600X-4PB7C | 20,000 |
| | 800 | L | FL8001-4PB4B | 11,875 | FL8003-4PB4B | 14,000 | FL8004-4PB4B | 21,000 | FL800X-4PB4B | 26,250 |

| UL general purpose amp rating | | Fuse type | NEMA Enclosure type | | | |
|---|-----|-----------|---------------------|------------|----------------|------------|
| | | | 4X Plastic | | 12 | |
| | | | Catalog number | List price | Catalog number | List price |
|  | 30 | J | FJ30P-4PB6B | \$ 1,300 | FJ302-4PB6B | \$ 750 |
| | 30 | CC | FC30P-4PB6B | — | FC302-4PB6B | — |
| | 60 | J | FJ60P-4PB8B | 1,625 | FJ602-4PB6B | 1,075 |
| | 100 | J | FJ100P-4PB8B | 3,500 | FJ1002-4PB8B | 1,425 |
| | 200 | J | FJ200P-4PB8C | 5,500 | FJ2002-4PB8C | 3,000 |
| | 400 | J | FJ400P-4PB4C | 10,500 | FJ4002-4PB4C | 5,250 |
| | 600 | J | FJ600P-4PB7C | 17,000 | FJ6002-4PB7C | 7,750 |
| | 800 | L | FL800P-4PB4B | 21,750 | FL8002-4PB4B | 12,250 |

18



OESA-ZX157



OZXK-1
OZXK-2



3 Position selection switch



Pilot light

Auxiliary contacts

| For use on: | Contact configuration | Catalog number | Installation suffix | Installed list price adder |
|-------------|-------------------------------------|------------------|------------------------------------|----------------------------|
| 30A | 1 N.O. + 1 N. C. 2 N.O. + 2 N.C. | OA4B1C | add "11" suffix add "22" suffix | \$ 40 40 |
| 60A – 600A | 1 N.O. 1 N.C. | OA1G10 OA3G01 | add "10" suffix add "01" suffix | 20 |
| 800A | 1 N.O. & 1 N.C. 2 N.O. & 2 N.C. | OZXK-1 OZXK-2 | add "11" suffix add "22" suffix | 100 170 |

Accessories ①②

| For use on: | Description | Installation suffix | Installed list price adder |
|-------------|---|------------------------------|--|
| 30A | Neutral block | N | \$ 40 |
| 60A – 100A | Neutral block | N | 50 |
| 200A – 400A | Neutral block | N | 150 |
| 600A – 800A | Neutral block | N | 160 |
| 30A – 200A | Service entrance, 3 wire Service entrance, 4 wire | U V | 75 125 |
| 400A – 800A | Service entrance, 3 wire Service entrance, 4 wire | U V | 150 200 |
| 30A – 800A | Start/stop pushbuttons 2 position selector switch 3 position selector switch Pilot light "red/run" Ammeter 1 phase ③ Voltmeter ③ | A C D E AM VM | 68 68 78 110 940 2300 |

① Additional accessories can be found on pages 18.83 – 18.95.

② Please consult factory for special customer requirements.

③ Current transformers included.

Selecting switches per NEC

Selecting switches per NEC

Article 430 of the US National Electric Code includes two methods for properly sizing disconnect switches:

1. Single motor application

A properly sized disconnect switch for a single motor will:

- have an ampere rating greater than or equal to 115 percent of the rated motor full load current; or,
- have a HP rating greater than or equal to the rated motor HP (at applied voltage) if the disconnect switch under consideration is HP rated.

2. Combination load application

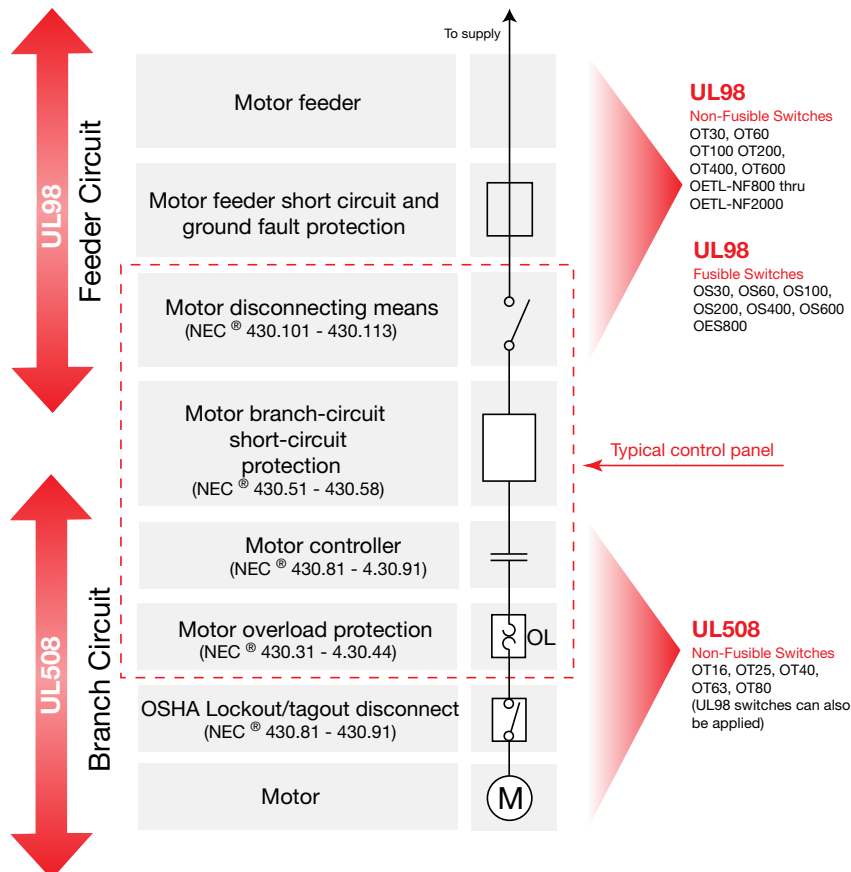
A properly sized disconnect switch for a combination load will be selected by adding all the simultaneous individual loads in the circuit under consideration.

Using motor nameplate information, load information, and tables from section 430 of the NEC, determine one equivalent full load current and one equivalent locked rotor current. The equivalent locked rotor current can be used with table 430-151 to determine an equivalent HP rating. Select a disconnect switch:

- greater than or equal to 115 percent of the equivalent full load current; and,
- greater than or equal to the equivalent HP rating.

Use of UL98 & UL508 Disconnects

According to *NEC*® Article 430



Technical data

OT16F3 – OT100F3

UL & CSA

UL & CSA

| Catalog number | 3 pole | OT16F3 | OT25F3 | OT40F3 | OT63F3 | OT80F3 | OT30F3 | OT60F3 | OT100F3 |
|---|----------------------------|-----------------------------------|-----------------------------------|-----------------------------------|-----------------------------------|-----------------------------------|---------------------------------|---------------------------------|---------------------------------|
| Approvals ^① | 2 pole 3 pole 4 pole | N/A UL508 & IEC UL508 & IEC | N/A UL508 & IEC UL508 & IEC | N/A UL508 & IEC UL508 & IEC | N/A UL508 & IEC UL508 & IEC | N/A UL508 & IEC UL508 & IEC | N/A UL98 & IEC UL98 & IEC | N/A UL98 & IEC UL98 & IEC | N/A UL98 & IEC UL98 & IEC |
| General purpose amp rating -40° to 40°C pf = 0.7 – 0.8 | A | 20 | 30 | 40 | 60 | 80 | 30 | 60 | 100 |
| Max. operating voltage | V | 600 | 600 | 600 | 600 | 600 | 600 | 600 | 600 |
| Max. horsepower rating/motor FLA current, pf = 0.4 – 0.5 Three phase | | | | | | | | | |
| 240V | HP/A | 5/15.2 | 7.5/22.0 | 10/28.0 | 15/42.0 | 20/54.0 | 10/28.0 | 20/54.0 | 30/80.0 |
| 480V | HP/A | 10/14.0 | 15/21.0 | 20/27.0 | 30/40.0 | 40/52.0 | 20/27.0 | 40/52.0 | 50/65.0 |
| 600V | HP/A | 10/11.0 | 20/22.0 | 25/27.0 | 30/32.0 | 40/41.0 | 30/32.0 | 40/41.0 | 50/52.0 |
| Single phase | | | | | | | | | |
| 120V | HP/A | 1/16 | 1.5/20 | 3/24 | 2/24.0 | 2/24.0 | 2/24.0 | 3/34.0 | 5/56.0 |
| 240V | HP/A | 2/13.2 | 3/18.7 | 5/30.8 | 7.5/40.0 | 10/57.5 | 5/28.0 | 7.5/40.0 | 15/68.0 |
| Short circuit rating with fuse | | | | | | | | | |
| Fuse type CC | kA | 10 | 10 | 10 | 100 | 100 | 50 | 50 | 50 |
| Fuse type J | kA | 10 | 10 | 10 | 100 | 100 | 50 | 50 | 50 |
| Fuse type T | kA | 10 | 10 | 10 | 100 | 100 | 50 | 50 | 50 |
| Fuse type RK1 | kA | 10 | 10 | 10 | 10 | 10 | 10 | 10 | 10 |
| Fuse type RK5 | kA | 5 | 5 | 5 | 10 | 10 | 5 | 5 | 5 |
| Fuse type L | kA | — | — | — | — | — | — | — | — |
| Fuse type H | kA | — | — | — | — | 5 | 5 | — | — |
| Maximum fuse size | A | 30 | 60 ^④ | 30 | 60 ^④ | 100 | 150 | 60 | 150 |
| 3 cycle short circuit current withstand rating ^③ | kA | — | — | — | — | — | — | — | — |
| Endurances | | | | | | | | | |
| Min. Electrical endurance, pf = 0.75 – 0.80 | operation cycles | 6000 | 6000 | 6000 | 6000 | 6000 | 6000 | 6000 | 6000 |
| Min. Electrical endurance, pf = 0.40 – 0.50 | operation cycles | 1000 | 1000 | 1000 | 1000 | 1000 | ② | ② | ② |
| Mechanical endurance | operations | 20,000 | 20,000 | 20,000 | 20,000 | 20,000 | 20,000 | 20,000 | 20,000 |
| Physical characteristics | | | | | | | | | |
| Weight, switches | 3 pole | lb | 0.24 | 0.24 | 0.24 | 0.59 | 0.59 | 0.79 | 0.79 |
| | 4 pole | lb | 0.33 | 0.33 | 0.33 | 0.77 | 0.77 | 1.10 | 1.10 |
| Dimension, switches | 3 pole | H in | 2.68 | 2.68 | 2.68 | 3.60 | 3.60 | 3.94 | 3.94 |
| | | W in | 1.38 | 1.38 | 1.38 | 2.07 | 2.07 | 2.76 | 2.76 |
| | | D in | 2.20 | 2.20 | 2.20 | 2.85 | 2.85 | 2.95 | 2.95 |
| Shaft set screw tightening torque | | lb. in. | 8.9 | 8.9 | 8.9 | 8.9 | 8.9 | 8.9 | 8.9 |
| Shaft size — square □ | | in | .24 x .24 | .24 x .24 | .24 x .24 | .24 x .24 | .24 x .24 | .24 x .24 | .24 x .24 |
| | | mm | 6 x 6 | 6 x 6 | 6 x 6 | 6 x 6 | 6 x 6 | 6 x 6 | 6 x 6 |
| Switch operating torque for rotary 3 pole switches | | lb. in. | 8.8 | 8.8 | 8.8 | 10.5 | 10.5 | 17.5 | 17.5 |
| Terminal lug kits | | | | | | | | | |
| Wire range | AWG | #18 – 8 | #18 – 8 | #18 – 8 | #14 – 4 | #14 – 4 | #14 – 4 | #14 – 4 | #8 – 1/0 |
| Torque: | | | | | | | | | |
| Wire tightening | lb. in. | 7 | 7 | 7 | 18 | 18 | 55 | 55 | 55 |
| Lug mounting | lb. in. | Integral | Integral | Integral | Integral | Integral | Integral | Integral | Integral |
| Auxiliary contacts | | OA1G_ | OA1G_ | OA1G_ | OA1G_ | OA1G_ | OA1G_ | OA1G_ | OA1G_ |
| NEMA ratings, AC | | A600 | A600 | A600 | A600 | A600 | A600 | A600 | A600 |
| AC rated voltage | VAC | 600 | 600 | 600 | 600 | 600 | 600 | 600 | 600 |
| AC thermal rated current | A | 10 | 10 | 10 | 10 | 10 | 10 | 10 | 10 |
| AC maximum volt-ampere making | VA | 7200 | 7200 | 7200 | 7200 | 7200 | 7200 | 7200 | 7200 |
| AC maximum volt-ampere breaking | VA | 720 | 720 | 720 | 720 | 720 | 720 | 720 | 720 |
| NEMA ratings, DC | | R300 | R300 | R300 | R300 | R300 | R300 | R300 | R300 |
| DC rated voltage | VDC | 300 | 300 | 300 | 300 | 300 | 300 | 300 | 300 |
| DC thermal rated current | A | 1 | 1 | 1 | 1 | 1 | 1 | 1 | 1 |
| DC maximum make-break | VA | 28 | 28 | 28 | 28 | 28 | 28 | 28 | 28 |
| Torque: Wire tightening | lb. in | 7 | 7 | 7 | 7 | 7 | 7 | 7 | 7 |
| Wire range | AWG | #18 – 14 | #18 – 14 | #18 – 14 | #18 – 14 | #18 – 14 | #18 – 14 | #18 – 14 | #18 – 14 |

① UL Listed switches are also CSA Approved.

② UL98 overload test, 50 operations, pf 0.40 – 0.50 at 2x FLA.

③ Multi-tap lug available, please see pg. 18.24 and 18.27.

④ Fuse size 70A for RK5

⑤ When protected by any Listed fuse or Listed circuit breaker whose current rating does not exceed the maximum thermal current rating of the switch.

Technical data

OT200U03 – OETL-NF3150

UL & CSA

Disconnect
switches
Technical
data

UL & CSA

| Catalog number | 3 pole | OT200U03 | OT400U03 | OT600U03 | OETL-NF800A | OETL-NF1200 | OETL-NF1600 | OETL-NF2000 | OETL-NF3150 ⑤ |
|---|----------------------------|--|--|---|--|---------------------------------|---------------------------------|---------------------------------|-----------------------------|
| Approvals ^① | 2 pole 3 pole 4 pole | UL98 & IEC UL98 & IEC UL98 & IEC | UL98 & IEC UL98 & IEC UL98 & IEC | UL98 & IEC UL98 & IEC UL98 & IEC | UL98 & IEC UL98 & IEC IEC | UL98 & IEC UL98 & IEC IEC | UL98 & IEC UL98 & IEC IEC | UL98 & IEC UL98 & IEC IEC | IEC IEC IEC |
| General purpose amp rating pf = 0.7 – 0.8 | -40° to 40°C A | 200 | 400 | 600 | 800 | 1200 | 1600 | 2000 | 3150 |
| Max. operating voltage | V | 600 | 600 | 600 | 600 | 600 | 600 | 480 | — |
| Max. horsepower rating/Max. motor FLA current, pf = 0.4 – 0.5 Three phase | | | | | | | | | |
| | 240V HP/A | 75/192.0 | 125/312.0 | 200/480.0 | 250/602.0 | — | — | — | — |
| | 480V HP/A | 150/180.0 | 250/302.0 | 450/515 | 500/590.0 | — | — | — | — |
| | 600V HP/A | 200/192.0 | 350/336.0 | 500/472.0 | 600/576 | — | — | — | — |
| Single phase | 120V HP/A | — | — | — | — | — | — | — | — |
| | 240V HP/A | — | — | — | — | — | — | — | — |
| Short circuit rating with fuse | | | | | | | | | |
| Fuse type CC | kA | — | — | — | — | — | — | — | — |
| Fuse type J | kA | 100 | 100 | —/100 | — | — | — | — | — |
| Fuse type T | kA | — | — | 100/— | — | — | — | — | — |
| Fuse type RK1 | kA | — | — | — | — | — | — | — | — |
| Fuse type RK5 | kA | — | — | 100 | — | — | — | — | — |
| Fuse type L | kA | — | — | —/100 | 100 | 100 | 100 | 100 | — |
| Fuse type H | kA | — | — | —/100 | — | — | — | — | — |
| Maximum fuse size | A | 350 | 600 | 600/800 | 1200 | 1200 | 2000 | 2000 | — |
| 3 cycle short circuit current withstand rating ② | kA | 15 | 30 | 50 | 50 | 50 | 65 | 65 | — |
| Endurances | | | | | | | | | |
| Min. Electrical endurance, pf = 0.75 – 0.80 operation cycles | | 6000 | 1000 | 1000 | 500 | 500 | 500 | 500 | 400 |
| Min. Electrical endurance, pf = 0.40 – 0.50 operation cycles | | ② | ② | ② | ② | ② | ② | ② | ② |
| Mechanical endurance operations | | 20,000 | 20,000 | 10,000 | 10,000 | 10,000 | 6000 | 6000 | 6000 |
| Physical characteristics | | | | | | | | | |
| Weight, switches 3 pole | lb | 2.9 | 5.7 | 11.4 | 35.9 | 38.55 | 127.7 | 127.7 | 127.7 |
| 4 pole | lb | 3.5 | 6.8 | 14.3 | 45.15 | 49.56 | 149.7 | 149.7 | 149.7 |
| Dimension, switches 3 pole | H in | 6.69 | 8.66 | 9.84 | 14.65 | 14.65 | 21.5 | 21.5 | 21.5 |
| | W in | 6.67 | 8.70 | 10.48 | 14.25 | 14.25 | 18.11 | 18.11 | 18.11 |
| | D in | 3.27 | 4.15 | 5.47 | 4.92 | 4.92 | 10.67 | 10.67 | 10.67 |
| Shaft set screw tightening torque | lb. in. | 14 - 17.7 | — | — | — | — | — | — | — |
| Shaft size — square □ | in | .24 x .24 | .47 x .47 | .47 x .47 | .47 x .47 | .47 x .47 | .47 x .47 | .47 x .47 | .47 x .47 |
| | mm | 6 x 6 | 12 x 12 | 12 x 12 | 12 x 12 | 12 x 12 | 12 x 12 | 12 x 12 | 12 x 12 |
| Switch operating torque for rotary 3 pole switches | lb. in. | 62 | 142 | 184 | 184 | 184 | 438 | 438 | 438 |
| Terminal lug kits | | | | | | | | | |
| Wire range | AWG | OZXA-200 #4-300kcmil ^③ | OZXA-400 #2-600kcmil ^③ | OZXA-800 (2)#2-600kcmil ^③ | OZXA-30 (2)#2-600kcmil ^③ | OZXA-28 (4)#2-600kcmil | OZXA-28 (4)#2-600kcmil | OZXA-28/2 (8)#2-600kcmil | OZXA-28/2 (8)#2-600kcmil |
| Torque: | | | | | | | | | |
| Wire tightening | lb. in. | 200 | 375 | 375 | 375 | 375 | 375 | 375 | 375 |
| Lug mounting | lb. in. | 72 | 240 | 240 | 230 | 230 | 230 | 230 | 230 |
| Auxiliary contacts | | | | | | | | | |
| NEMA ratings, AC | | OA_G_ A600 | OA_G_ A600 | OA_G_ A600 | OZXC-__ A600 | OZXC-__ A600 | OZXC-__ A600 | OZXC-__ A600 | OZXC-__ A600 |
| AC rated voltage | VAC | 600 | 600 | 600 | 600 | 600 | 600 | 600 | 600 |
| AC thermal rated current | A | 10 | 10 | 10 | 10 | 10 | 10 | 10 | 10 |
| AC maximum volt-ampere making | VA | 7200 | 7200 | 7200 | 7200 | 7200 | 7200 | 7200 | 7200 |
| AC maximum volt-ampere breaking | VA | 720 | 720 | 720 | 720 | 720 | 720 | 720 | 720 |
| NEMA ratings, DC | | P600 | P600 | P600 | P600 | P600 | P600 | P600 | P600 |
| DC rated voltage | VDC | 600 | 600 | 600 | 600 | 600 | 600 | 600 | 600 |
| DC thermal rated current | A | 5 | 5 | 5 | 5 | 5 | 5 | 5 | 5 |
| DC maximum make-break | VA | 138 | 138 | 138 | 138 | 138 | 138 | 138 | 138 |
| Torque: Wire tightening | lb. in | 7 | 7 | 7 | 7 | 7 | 7 | 7 | 7 |
| Wire range | AWG | #22 – #14 | #22 – #14 | #22 – #14 | #22 – #14 | #22 – #14 | #22 – #14 | #22 – #14 | #22 – #14 |

① UL Listed switches are also CSA Approved.
 ② UL98 overload test, 50 operations, pf 0.40 – 0.50 at 2x FLA.
 ③ Multi-tap lug available, please see pg. 18.24 and 18.27.
 ④ Fuse size 70A for RK5
 ⑤ IEC rated only.
 ⑥ When protected by any Listed fuse or Listed circuit breaker whose current rating does not exceed the maximum thermal current rating of the switch.

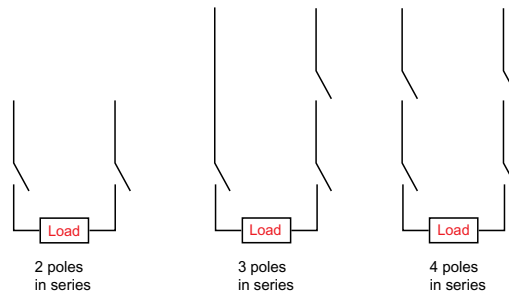
Technical data

OT16F3 – OT100F3

IEC

IEC

| Catalog number | 3 pole | OT16F3 | OT25F3 | OT40F3 | OT63F3 | OT80F3 | OT30F3 | OT60F3 | OT100F3 | |
|---|---------------|--------|-----------|-----------|-----------|-----------|-----------|-----------|-----------|------------|
| Rated insulation and operation voltage, AC20 and DC20 | 40°C V | 750 | 750 | 750 | 750 | 750 | 750 | 750 | 750 | |
| Rated impulse withstand voltage | kV | 8 | 8 | 8 | 8 | 8 | 8 | 8 | 8 | |
| Rated thermal current, I_{th} | | | | | | | | | | |
| AC 20/DC 20 | open ① | A | 25 | 32 | 40 | 63 | 80 | 40 | 63 | 115 |
| | 40°C enclosed | A | 25 | 32 | 40 | 63 | 80 | 40 | 63 | 115 |
| | 60°C enclosed | A | 25 | 32 | 40 | 63 | 80 | 40 | 63 | 115 |
| Rated operational currents | | | | | | | | | | |
| AC 21A | ≤500V | A | 16 | 25 | 40 | 63 | 80 | 30 | 60 | 100 |
| | ≤690V | A | 16 | 25 | 40 | 63 | 80 | 40 | 63 | 100 |
| | ≤1000V | A | — | — | — | — | — | — | — | — |
| AC 22A | ≤500V | A | 16 | 25 | 40 | 63 | 80 | 40 | 63 | 100 |
| | ≤690V | A | 16 | 25 | 40 | 63 | 80 | 40 | 63 | 100 |
| | ≤1000V | A | — | — | — | — | — | — | — | — |
| AC 23A | ≤415V | A | 16 | 20 | 23 | 45 | 75 | 40 | 63 | 80 |
| | ≤500V | A | 16 | 20 | 23 | 45 | 58 | 40 | 60 | 60 |
| | ≤690V | A | 10 | 11 | 12 | 20 | 20 | 40 | 40 | 40 |
| | ≤1000V | A | — | — | — | — | — | — | — | — |
| Rated operational currents/poles in series | | | | | | | | | | |
| DC21A | 48V | A | 16/1 | 25/1 | 32/1 | 45/1 | 63/1 | 40/1 | 63/1 | 100/1 |
| | 110V | A | 16/2 | 25/2 | 32/2 | 45/2 | 63/2 | 40/2 | 63/2 | 100/2 |
| | 220V | A | 16/3 | 25/3 | 32/3 | 45/4 | 63/4 | 40/4 | 63/4 | 100/4 |
| | 440V | A | 16/4 | 25/6 | 32/6 | ③ | ③ | ③ | ③ | ③ |
| | 750V | A | 16/8 | 25/8 | 32/8 | ③ | ③ | ③ | ③ | ③ |
| DC22A | 48V | A | 16/1 | 25/1 | 32/1 | 45/1 | 63/1 | 40/1 | 63/1 | 100/1 |
| | 110V | A | 16/2 | 25/2 | 32/2 | 45/2 | 63/2 | 40/2 | 63/2 | 100/2 |
| | 220V | A | 16/3 | 25/3 | 32/4 | 45/4 | 63/4 | 40/4 | 63/4 | 63/4 |
| | 440V | A | 16/6 | 25/8 | ③ | ③ | ③ | ③ | ③ | ③ |
| | 750V | A | 16/8 | 25/8 | ③ | ③ | ③ | ③ | ③ | ③ |
| DC23A | 48V | A | 16/1 | 25/1 | 32/1 | 45/1 | 63/1 | 40/1 | 63/1 | 100/1 |
| | 110V | A | 16/2 | 25/2 | 32/2 | 45/2 | 63/2 | 40/2 | 63/2 | 100/2 |
| | 220V | A | 16/4 | 25/4 | 32/4 | 45/4 | 63/4 | 40/4 | 63/4 | 63/4 |
| | 440V | A | 10/4 | ③ | ③ | ③ | ③ | ③ | ③ | ③ |
| | 750V | A | 16/8 | ③ | ③ | ③ | ③ | ③ | ③ | ③ |
| Rated operational power | | | | | | | | | | |
| AC23A | 230V | kW | 3 | 4 | 5.5 | 11 | 22 | 7.5 | 11 | 22 |
| | 400/415V | kW | 7.5 | 9 | 11 | 22 | 37 | 15 | 18.5 | 37 |
| | 500V | kW | 7.5 | 9 | 11 | 22 | 37 | 15 | 18.5 | 37 |
| | 690V | kW | 7.5 | 9 | 11 | 15 | 18.5 | 15 | 15 | 37 |
| Short-circuit current | kA | 50 | 50 | 50 | 50 | 50 | 50 | 50 | 50 | |
| with back-up fuses of size | A | 25 | 32 | 40 | 63 | 80 | 100 | 100 | 100 | |



① The ambient air temperature does not exceed +40°C and its average over a period of 24 hours does not exceed +35°C according to IEC 947.
 ② IEC 947-3, utilization category B, infrequent operation.
 ③ Not available at time of printing, please consult factory.

Technical data

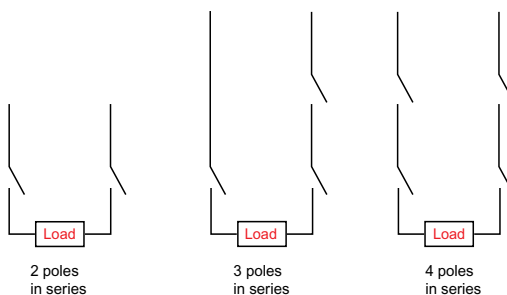
OT200U03 – OETL-NF3150

IEC

Disconnect
switches
Technical
data

IEC

| Catalog number | 3 pole | OT200U03 | OT400U03 | OT600U03 | OETL-NF800A | OETL-NF1200 | OETL-NF1600 | OETL-NF2000 | OETL-NF3150 |
|---|---------------------|------------|------------|------------|--------------------|--------------------|-------------------------|-------------------------|-------------------------|
| Rated insulation and operational voltage, AC20 and DC20 | 40°C V | 1000 | 1000 | 1000 | 1000 | 1000 | 1000 | 1000 | 1000 |
| Rated impulse withstand voltage | kV | 12 | 12 | 12 | 8 | 8 | 8 | 8 | 8 |
| Rated thermal current, I_n | | | | | | | | | |
| AC 20/DC 20 | open ^① A | 250 | 400 | 800 | 1250 | 1600 | 2500 | 3150 | |
| | 40°C enclosed A | 250 | 400 | 800 | 1250 | 1600 | 2300 | 2300 | 2600 |
| | 60°C enclosed A | — | — | — | 1000 | 1250 | 1950 | 1950 | 2300 |
| Rated operational currents | | | | | | | | | |
| AC 21A | ≤500V A | 250 | 400 | 800 | 1250 | 1600 | 2500^② | 2500^② | 3150^③ |
| | ≤690V A | 250 | 400 | 800 | 1250 | 1600 | 2500 ^② | 2500 ^② | 3150 ^③ |
| | ≤1000V A | — | — | 800 | — | — | — | — | — |
| AC 22A | ≤500V A | 250 | 400 | 800 | 1250 | 1600 | 1600 ^② | 1600 ^② | 1600 ^② |
| | ≤690V A | 250 | 400 | 800 | — | — | — | — | — |
| | ≤1000V A | — | — | 800 | — | — | — | — | — |
| AC 23A | ≤415V A | 250 | 400 | 800 | 800 | 800 | 800 ^② | 800 ^② | 800 ^② |
| | ≤500V A | 250 | 400 | 800 | 800 | 800 | 800 ^② | 800 ^② | 800 ^② |
| | ≤690V A | 250 | 400 | 800 | — | — | — | — | — |
| | ≤1000V A | — | — | 800 | — | — | — | — | — |
| Rated operational currents/poles in series | | | | | | | | | |
| DC21A | 48V A | 250/1 | 630/2 | 800/2 | 1250/2 | 1600/2 | 2500/2 | 2500/2 | 3150/2 |
| | 110V A | 250/2 | 630/2 | 800/2 | 1250/2 | 1600/2 | 2500/2 | 2500/2 | 3150/2 |
| | 220V A | 250/2 | 630/2 | 800/2 | 1250/2 | 1600/2 | 2500/2 | 2500/2 | 3150/2 |
| | 440V A | 250/3 | 630/3 | 800/3 | 1250/3 | 1600/3 | 2500/3 | 2500/3 | 3150/2 |
| | 750V A | 250/4 | — | — | — | — | — | — | — |
| DC22A | 48V A | 250/1 | 630/2 | 800/2 | 1250/2 | 1600/2 | 2500/2 | 2500/2 | 3150/2 |
| | 110V A | 250/2 | 630/2 | 800/2 | 1250/2 | 1600/2 | 2500/2 | 2500/2 | 3150/2 |
| | 220V A | 250/2 | 630/2 | 800/2 | 1250/2 | 1600/2 | 2500/2 | 2500/2 | 3150/2 |
| | 440V A | 250/3 | 630/3 | 800/3 | — | — | — | — | — |
| | 750V A | 250/4 | — | — | — | — | — | — | — |
| DC23A | 48V A | 250/1 | 630/2 | — | — | — | — | — | — |
| | 110V A | 250/2 | 630/2 | — | — | — | — | — | — |
| | 220V A | 250/2 | 630/2 | — | — | — | — | — | — |
| | 440V A | 250/3 | — | — | — | — | — | — | — |
| | 750V A | 250/4 | — | — | — | — | — | — | — |
| Rated operational power | | | | | | | | | |
| AC23A | 230V kW | 75 | 110 | — | 250 | 250 | 250 | 250 | 250 |
| | 400/415V kW | 132/140 | 220/230 | 450 | 400 | 400 | 400 | 400 | 400 |
| | 500V kW | 170 | 280 | 560 | 450 | 450 | 450 | 450 | 450 |
| | 690V kW | 240 | 355 | 800 | — | — | — | — | — |
| Short-circuit current | kA | 100 | 100 | 100 | 50/50 ^④ | 50/50 ^④ | 50/63 ^④ | 50/63 ^④ | 50/63 ^④ |
| with back-up fuses of size | A | 400 | 800 | 800 | — | — | — | — | — |



- ① The ambient air temperature does not exceed +40°C and its average over a period of 24 hours does not exceed +35°C according to IEC 947.
- ② IEC 947-3, utilization category B, infrequent operation.
- ③ Not available at time of printing, please consult factory.
- ④ 690V / 500V

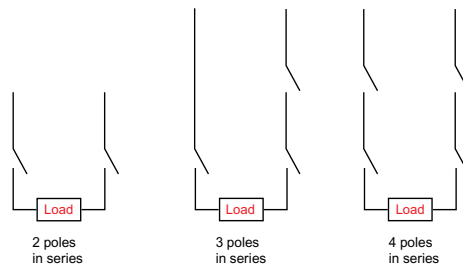
Technical data

OT16F3 – OT100F3

IEC

IEC

| Catalog number | 3 pole | OT16F3 | OT25F3 | OT40F3 | OT63F3 | OT80F3 | OT30F3 | OT60F3 | OT100F3 |
|---|-----------------|-----------|-----------|-----------|----------|----------|----------|----------|---------|
| Rated short-circuit making capacity, prospective peak value, I_{cm} | kA | 0.7 | 0.7 | 0.7 | 1.4 | 1.4 | 3.6 | 3.6 | 3.6 |
| Rated short time withstand current, | | | | | | | | | |
| RMS I^{CW} 0.2s | kA | — | — | — | — | — | — | — | — |
| RMS I^{CW} 1.0s | kA | 0.5 | 0.5 | 0.5 | 1 | 1 | 2.5 | 2.5 | 2.5 |
| AC breaking capacity | | | | | | | | | |
| pf = 0.35 | | | | | | | | | |
| ≤415V | A | 128 | 160 | 184 | 240 | 304 | 320 | 504 | 640 |
| ≤500V | A | 128 | 160 | 184 | 240 | 256 | 320 | 480 | 480 |
| ≤690V | A | 80 | 88 | 96 | 160 | 160 | 320 | 320 | 320 |
| DC breaking capacity/poles in series | | | | | | | | | |
| L/R = 15ms | | | | | | | | | |
| ≤48V | A | 64/1 | 100/1 | 128/1 | 180/1 | 252/1 | 160/1 | 252/1 | 400/1 |
| ≤110V | A | 64/2 | 100/2 | 128/2 | 180/2 | 252/2 | 160/2 | 252/2 | 400/2 |
| ≤220V | A | 64/3 | 100/4 | 128/4 | 180/4 | 180/4 | 160/4 | 252/4 | 252/4 |
| ≤440V | A | ⓪ | ⓪ | ⓪ | ⓪ | ⓪ | ⓪ | ⓪ | ⓪ |
| ≤750V | A | ⓪ | ⓪ | ⓪ | ⓪ | ⓪ | ⓪ | ⓪ | ⓪ |
| Physical characteristics | | | | | | | | | |
| Electrical endurance at rated operational current, pf = 0.65 | | | | | | | | | |
| operation cycles | | 3000 | 3000 | 3000 | 3000 | 3000 | 3000 | 3000 | 3000 |
| Mechanical endurance | | | | | | | | | |
| operations | | 20,000 | 20,000 | 20,000 | 20,000 | 20,000 | 20,000 | 20,000 | 20,000 |
| Weight | | | | | | | | | |
| 3 pole | kg | 0.11 | 0.11 | 0.11 | 0.27 | 0.27 | 0.36 | 0.36 | 0.36 |
| 4 pole | kg | 0.15 | 0.15 | 0.15 | 0.35 | 0.35 | 0.5 | 0.5 | 0.5 |
| Dimension | | | | | | | | | |
| 3 pole | H mm | 68 | 68 | 68 | 91.5 | 91.5 | 100 | 100 | 100 |
| | W mm | 35 | 35 | 35 | 52.5 | 52.5 | 70 | 70 | 70 |
| | D mm | 56 | 56 | 56 | 72.5 | 72.5 | 75 | 75 | 75 |
| Power loss per pole | | | | | | | | | |
| | W | 0.3 | 0.6 | 1 | 1.4 | 2.8 | 1 | 1.6 | 4 |
| Shaft size — square | | | | | | | | | |
| | mm | 6 x 6 | 6 x 6 | 6 x 6 | 6 x 6 | 6 x 6 | 6 x 6 | 6 x 6 | 6 x 6 |
| Switch operating torque for rotary 3 pole switches | | | | | | | | | |
| | Nm | 1 | 1 | 1 | 1.2 | 1.2 | 2 | 2 | 2 |
| Suitable conductor cross section Cu | | | | | | | | | |
| | mm ² | 0.75 – 10 | 0.75 – 10 | 0.75 – 10 | 1.5 – 25 | 1.5 – 25 | 1.5 – 25 | 1.5 – 25 | 10 – 70 |
| Bolt size | | | | | | | | | |
| | | — | — | — | — | — | — | — | — |
| Auxiliary contacts | | | | | | | | | |
| | | OA1G_ | OA1G_ | OA1G_ | OA1G_ | OA1G_ | OA1G_ | OA1G_ | OA1G_ |
| Ratings according to IEC 947-5-1 | | | | | | | | | |
| Rated voltage, U_i | | | | | | | | | |
| | VAC | 690 | 690 | 690 | 690 | 690 | 690 | 690 | 690 |
| Thermal current, I_{th} | | | | | | | | | |
| | A | 16 | 16 | 16 | 16 | 16 | 16 | 16 | 16 |
| AC12/DC12 I^e, A U^e = 120V | | | | | | | | | |
| 125V | A | — | — | — | — | — | — | — | — |
| 240V | A | 6 ② | 6 ② | 6 ② | 6 ② | 6 ② | 6 ② | 6 ② | 6 ② |
| 250V | A | — | — | — | — | — | — | — | — |
| 400V | A | 4 ② | 4 ② | 4 ② | 4 ② | 4 ② | 4 ② | 4 ② | 4 ② |
| 415V | A | — | — | — | — | — | — | — | — |
| 440V | A | — | — | — | — | — | — | — | — |
| 480V | A | — | — | — | — | — | — | — | — |
| 500V | A | — | — | — | — | — | — | — | — |
| 600V | A | — | — | — | — | — | — | — | — |
| 690V | A | 2 ② | 2 ② | 2 ② | 2 ② | 2 ② | 2 ② | 2 ② | 2 ② |



① Not available at time of printing, please consult factory.
② AC15, according to IEC947-5-1.

Technical data

OT200U03 – OETL-NF3150

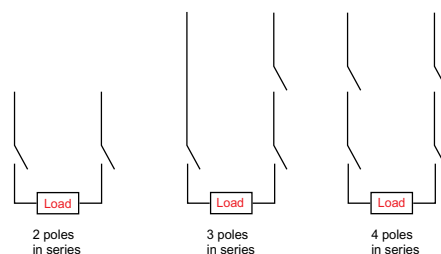
IEC

Disconnect
switches
Technical
data

IEC

| Catalog number | 3 pole | OT200U03 | OT400U03 | OT600U03 | OETL-NF800A | OETL-NF1200 | OETL-NF1600 | OETL-NF2000 | OETL-NF3150 |
|---|------------------|----------|----------|----------|-------------|-------------|-------------|-------------|-------------|
| Rated short-circuit making capacity, prospective peak value, $I_{cm}500/690V$ | kA | 30 | 65 | 80 | 105 | 105 | 140/105 | 140/105 | 140/105 |
| Rated short time withstand current, | | | | | | | | | |
| RMS I_{sc} 0.2s | kA | 15 | 28 | 36 | — | — | — | — | — |
| RMS I_{sc} 1.0s | kA | 8 | 15 | 20 | 50 ② | 50 ② | 80 ② | 80 ② | 80 ② |
| AC breaking capacity | | | | | | | | | |
| pf = 0.35 | ≤415V A | 2000 | 3200 | 5760 | 6400 | 6400 | 6400 | 6400 | 6400 |
| | ≤500V A | 2000 | 3200 | 5600 | 6400 | 6400 | 6400 | 6400 | 6400 |
| | ≤690V A | 2000 | 3200 | 5600 | 2500 ③ | 2500 ③ | 4800 ④ | 4800 ④ | 4800 ④ |
| DC breaking capacity/poles in series | | | | | | | | | |
| L/R = 15ms, 3 pole in series | | | | | | | | | |
| | 48V A | 1000/2 | ① | ① | ① | ① | ① | ① | ① |
| | 110V A | 1000/2 | ① | ① | ① | ① | ① | ① | ① |
| | 220V A | 1000/2 | 1600/2 | 2000/2 | 1900/2 | 2600/2 | 2600/2 | 2600/2 | 2600/2 |
| | 440V A | 1000/3 | 1600 | 2000/3 | ① | ① | ① | ① | ① |
| | 750V A | 1000/4 | ① | ① | ① | ① | ① | ① | ① |
| Physical characteristics | | | | | | | | | |
| Electrical endurance at rated operational current, pf = 0.65 | operation cycles | 1000 | 1000 | 1000 | 500 | 500 | 100 ⑤ | 100 ⑤ | 100 ⑤ |
| Mechanical endurance | operations | 20,000 | 16,000 | 10,000 | 10,000 | 10,000 | 6000 | 6000 | 6000 |
| Weight | 3 pole kg | 1.2 | 2.2 | 5.2 | 16.3 | 17.5 | 37 | 37 | 37 |
| | 4 pole kg | 1.6 | 2.6 | 6.5 | 20.5 | 22.5 | 47 | 47 | 47 |
| Dimension | 3 pole H mm | 162 | 216 | 250 | 372 | 372 | 546 | 546 | 546 |
| | W mm | 219 | 260 | 266 | 363 | 363 | 468 | 468 | 468 |
| | D mm | 92.5 | 130 | 139 | 125 | 125 | 271 | 271 | 271 |
| Power loss per one pole | W | 6.5 | 10 | 40 | 40 | 67 | 90 | 90 | 140 |
| Shaft size — square □ | mm | 6 x 6 | 12 x 12 | 12 x 12 | 12 x 12 | 12 x 12 | 12 x 12 | 12 x 12 | 12 x 12 |
| Switch operating torque for rotary 3 pole switches | Nm | 7 | 16 | 21 | 21 | 21 | 50 | 50 | 50 |
| Suitable conductor cross section Cu | mm ² | — | — | — | — | — | — | — | — |
| Bolt size | | 8 x 25 | 10 x 30 | 12 x 40 | 12 x 60 | 12 x 60 | 12 x 60 | 12 x 60 | 12 x 60 |
| Auxiliary contacts | | OA_G_ | OA_G_ | OA_G_ | OZXK-__ | OZXK-__ | OZXK-__ | OZXK-__ | OZXK-__ |
| Ratings according to IEC 947-5-1 | | | | | | | | | |
| Rated voltage, U_i | VAC | 690 | 690 | 690 | 690 | 690 | 690 | 690 | 690 |
| Thermal rated current, I_{th} | A | 16 | 16 | 10 | 10 | 10 | 10 | 10 | 10 |
| AC12/DC12 I_{th} , A U_{th} = | | | | | | | | | |
| | 120V A | — | — | 8/— | 8/— | 8/— | 8/— | 8/— | 8/— |
| | 125V A | — | — | —/1.1 | —/1.1 | —/1.1 | —/1.1 | —/1.1 | —/1.1 |
| | 240V A | 6/— | 6/— | 6/— | 6/— | 6/— | 6/— | 6/— | 6/— |
| | 250V A | — | — | —/0.55 | —/0.55 | —/0.55 | —/0.55 | —/0.55 | —/0.55 |
| | 400V A | 4/— | 4/— | 4/— | 4/— | 4/— | 4/— | 4/— | 4/— |
| | 415V A | — | — | 4/— | 4/— | 4/— | 4/— | 4/— | 4/— |
| | 440V A | — | — | —/0.31 | —/0.31 | —/0.31 | —/0.31 | —/0.31 | —/0.31 |
| | 480V A | — | — | 3/— | 3/— | 3/— | 3/— | 3/— | 3/— |
| | 500V A | — | — | 3/0.27 | 3/0.27 | 3/0.27 | 3/0.27 | 3/0.27 | 3/0.27 |
| | 600V A | — | — | —/0.2 | —/0.2 | —/0.2 | —/0.2 | —/0.2 | 2—/0.2 |
| | 690V A | 2/— | 2/— | 2/— | 2/— | 2/— | 2/— | 2/— | 2/— |

18



- ① Not available at time of printing, please consult factory.
- ② Maximum distance between busbar support and switch terminal 70mm.
- ③ pf 0.95.
- ④ pf 0.65.
- ⑤ IEC 947-3, utilization category B, infrequent operation.

Technical data

OS30FA_12 – OES800L3

UL & CSA

UL & CSA

| Catalog number | 3 pole | OS30FA_12 | OS60J12 | OS100J03 | OS200J03 | OS400J03 | OS600J03 | OES800L3 |
|---|-----------------------------|---------------------------------|---------------------------------|---------------------------------|--|--|--|--|
| Approvals ① | 2 pole 3 pole 4 pole | N/A UL98 & IEC UL98 & IEC | N/A UL98 & IEC UL98 & IEC | IEC UL98 & IEC UL98 & IEC | UL98 & IEC UL98 & IEC UL98 & IEC | UL98 & IEC UL98 & IEC UL98 & IEC | UL98 & IEC UL98 & IEC UL98 & IEC | UL98 & IEC UL98 & IEC UL98 & IEC |
| Technical ratings | -40° to 40°C | | | | | | | |
| General purpose amp rating pf = 0.7 – 0.8 | A | 30 | 60 | 100 | 200 | 400 | 600 | 800 |
| Max operating voltage | V | 600 | 600 | 600 | 600 | 600 | 600 | 600 |
| Max horsepower rating/ Max motor FLA current pf = 0.4 – 0.5 | | | | | | | | |
| Three phase | | | | | | | | |
| 240V | HP/A | 7.5/22.0 | 15/42.0 | 30/80.0 | 60/145.0 | 125/312.0 | 200/480.0 | 250/602.0 |
| 480V | HP/A | 15/21.0 | 30/40.0 | 60/77.0 | 125/156.0 | 250/302.0 | 400/477.0 | 500/590.0 |
| 600V | HP/A | 20/22.0 | 50/52.0 | 75/77.0 | 150/144.0 | 350/336.0 | 500/472.0 | 600/ — |
| Single phase | | | | | | | | |
| 120V | HP/A | 2/24.0 | — | — | — | — | — | — |
| 240V | HP/A | 3/17.0 | — | — | — | — | — | — |
| Short circuit rating with fuse | kA | 200 | 200 | 200 | 200 | 200 | 200 | 100 |
| UL Fuse size | A | 30 | 60 | 100 | 200 | 400 | 600 | 800 |
| UL Fuse type | J/CC | J | J | J/T | J/T | J | J | L |
| Endurances | | | | | | | | |
| Min. Electrical endurance, pf = 0.75 – 0.80 | operation cycles | 6000 | 6000 | 6000 | 6000 | 1000 | 1000 | 500 |
| Mechanical endurance | operation | 20,000 | 20,000 | 20,000 | 20,000 | 12,000 | 10,000 | 7000 |
| Physical characteristics | | | | | | | | |
| Weight | 3 pole lb 4 pole lb | 1.54 1.98 | 2.86 3.52 | 3.30 3.96 | 5.9 7.5 | 12.56 15.21 | 28.66 37.48 | 37.44 46.26 |
| Dimension | 3 pole H in W in D in | 3.66 4.15 4.10 | 3.94 5.63 5.04 | 5.67 7.07 5.10 | 6.5 7.1 5.2 | 9.29 10.04 6.93 | 12.04 13.50 9.17 | 10.10 14.80 9.17 |
| Shaft size square □ | in mm | .24 x .24 6 x 6 | .24 x .24 6 x 6 | .24 x .24 6 x 6 | .24 x .24 6 x 6 | .47 x .47 12 x 12 | .47 x .47 12 x 12 | .47 x .47 12 x 12 |
| Switch operating torque for rotary 3 pole switches | lb. in. | 26.6 | 35.5 | 70.9 | 195 | 195 | 248 | 248 |
| Terminal lug kits | | Integral | Integral | OZXA-24 | OZXA-200 | OZXA-400 | OZXA-800 | OZXA-27 |
| Wire range | AWG | #18 – 8 | #14 – 4 | #14 – 2/0 | #4 – 300kcmil | #2 – 600kcmil | (2) #2 – 600 kcmil | (2) #2 – 600 kcmil |
| Torque: | | | | | | | | |
| Wire tightening | lb. in. | 17 | 30 | 120 | 200 | 500 | 500 | 500 |
| Lug mounting | lb. in. | N/A | N/A | 50 | 72 | 480 | 480 | 480 |
| Auxiliary contacts | | OA4G_ | OA1/3G_ | OA_G_ | OA_G_ | OA_G_ | OA_G_ | OZKK_ |
| NEMA ratings, AC | | — | A600 | A600 | A600 | A600 | A600 | A600 |
| AC rated voltage | VAC | 250 | 600 | 600 | 600 | 600 | 600 | 600 |
| AC thermal rated current | A | 6 | 10 | 10 | 10 | 10 | 10 | 10 |
| AC maximum volt ampere making | VA | — | 7200 | 7200 | 7200 | 7200 | 7200 | 7200 |
| AC maximum volt ampere breaking | VA | — | 720 | 720 | 720 | 720 | 720 | 720 |
| NEMA ratings, DC | | — | P300 | R300 | R300 | P600 | P600 | P600 |
| DC rated voltage | VDC | — | 300 | 300 | 300 | 600 | 600 | 600 |
| DC thermal rated current | A | — | 1 | 1 | 1 | 1 | 7 | 5 |
| DC maximum make break current | A | — | 28 | 28 | 28 | 28 | 28 | 138 |
| Torque: | | | | | | | | |
| Wire tightening | lb. in. | 7 | 7 | 7 | 7 | 7 | 7 | 7 |
| Wire range | AWG | #22 – 14/#18 – 14 | #18 – 14 | #18 – 14 | #18 – 14 | #18 – 14 | #18 – 14 | #20 – 12 |

① The following UL Listed switches are also CSA approved.

Technical data

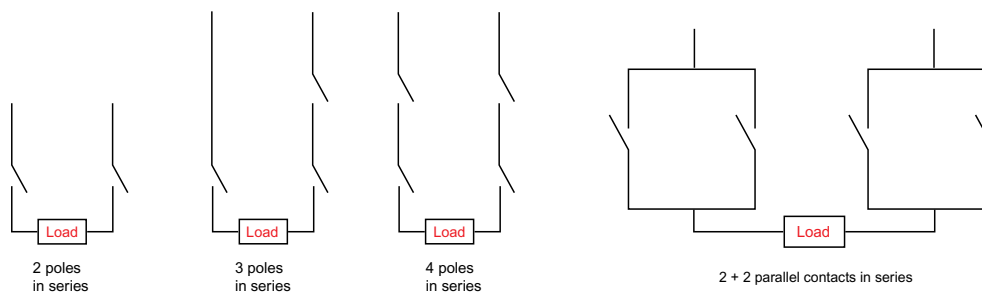
OS30FA_12 – OES800L3

IEC

Disconnect
switches
Technical
data

IEC

| Catalog number | 3 pole | OS30FA_12 | OS60J12 | OS100J03 | OS200J03 | OS400J03 | OS600J03 | OES800L3 |
|--|-----------------|-----------|---------|----------------|----------|----------------|----------------|----------|
| Technical ratings | -40° to 40°C | | | | | | | |
| Rated insulation voltage | | | | | | | | |
| Pollution degree 3 ⑥ | V | 1000 | 1000 | 1000 | 1000 | 1000 | 1000 | 1000 |
| Dielectric strength 50Hz/60Hz, 1 min | kV | 10 | 10 | 10 | 10 | 10 | 10 | 10 |
| Rated impulse withstand voltage | kV | 12 | 12 | 12 | 12 | 12 | 12 | 12 |
| Rated thermal current, I _t /max. fuse power dissipation ① | | | | | | | | |
| AC 20/DC 20 open ② | A/W | 32/3.5 | 63/7.5 | 160/12 | 200/17 | 400/45 | 630/60 | 800/65 |
| 40°C enclosed | A/W | 32/3.5 | 63/7.5 | 160/10, 135/12 | 200/17 | 400/34, 360/37 | 600/45, 570/50 | 720/55 |
| Enclosed with solid links | A/W | 32 | 85 | 175 | 280 | 450 | 700 | 900 |
| with minimum cable cross section Cu | mm ² | 6 | 16 | 70 | 95 | 240 | 2 x 185 | 2 x 240 |
| Rated operational voltage AC 20 and DC 20V | | 1000 | 1000 | 1000 | 1000 | 1000 | 1000 | 1000 |
| AC Rated operational currents | | | | | | | | |
| AC 21A | ≤500V A | 32 | 63 | 160 | 200 | 400 | 630 | 800 |
| | ≤690V A | 32 | 63 | 160 | 200 | 400 | 630 | 800 |
| AC 22A | ≤500V A | 32 | 63 | 160 | 200 | 400 | 630 | 800 |
| | ≤690V A | 32 | 63 | 160 | 200 | 400 | 630 | 800 |
| AC 23A | ≤500V A | 32 | 63 ③ | 160 ⑤ | 200 | 400 | 630 | 720 |
| | ≤690V A | 32 | 63 ③ | 160 ⑤ | 200 | 400 | 630 | 720 |
| DC Rated operational currents/poles in series | | | | | | | | |
| DC21A | 48V A | 32/2 ③ | ④ | ④ | 200/1 | 400/2 | — | 800/2 |
| | 110V A | 32/2 | ④ | ④ | 200/1 | 400/2 | — | 800/2 |
| | 220V A | 32/2 | ④ | ④ | 200/1 | 400/2 | — | 800/2 |
| | 440V A | 32/4 | 63/4 | 160/3 | 200/2 | 400/2 | — | 800/2 |
| | 750V A | — | ④ | ④ | 180/4 | 400/3 | — | 800/3 |
| | 1000V A | — | ④ | ④ | — | 400/4 | — | 800/4 |
| DC22A | 48V A | 32/2 ③ | ④ | ④ | 200/1 | 400/2 | — | 800/2 |
| | 110V A | 32/2 | ④ | ④ | 200/1 | 400/2 | — | 800/2 |
| | 220V A | 32/2 | ④ | ④ | 200/1 | 400/2 | — | 800/2 |
| | 440V A | 32/4 | 63/4 | 160/3 | 200/2 | 400/2 | — | 800/2 |
| | 750V A | — | ④ | ④ | 180/4 | 400/3 | — | 800/3 |
| | 1000V A | — | ④ | ④ | — | 400/4 | — | 800/4 |
| DC23A | 48V A | 32/2 ③ | ④ | ④ | 200/1 | 400/2 | — | 800/2 |
| | 110V A | 32/2 | ④ | ④ | 200/1 | 400/2 | — | 800/2 |
| | 220V A | 32/2 | ④ | ④ | 200/1 | 400/2 | — | 800/2 |
| | 440V A | 32/4 | 63/4 | 160/3 | 200/2 | 400/2 | — | 800/2 |
| | 750V A | — | ④ | ④ | 180/4 | 400/3 | — | 800/3 |
| | 1000V A | — | ④ | ④ | — | — | — | 800/4 |
| Rated operational power | AC23A | | | | | | | |
| 230V | kW | 8 | 18.5 | 45 | 60 | 132 | 200 | 200 |
| 400V | kW | 14 | 30 | 80 | 110 | 220 | 355 | 350 |
| 415V | kW | 15 | 30 | 90 | 110 | 230 | 355 | 380 |
| 500V | kW | 18 | 37 | 110 | 140 | 280 | 450 | 470 |
| 690V | kW | 25 | 60 | 132 | 190 | 400 | 630 | 600 |



① Ambient temperature 60°C: derating 20 percent. Mounting on ceiling: derating 10 percent. Mounting on wall, horizontal fuses: derating 8 percent.
 ② The ambient air temperature does not exceed +40°C and its average over a period of 24h does not exceed +35°C according to IEC 947.
 ③ For 30A switches, use 2 + 2 parallel contacts in series.
 ④ Available on request.
 ⑤ IEC 947-3, utilization category B, infrequent operation.
 ⑥ Pollution degree 3: Conductive pollution occurs, or dry, non-conductive pollution occurs, which becomes conductive due to condensation.

Technical data

OS30FA_12 – OES800L3

IEC

IEC

| Catalog number | 3 pole | OS30FA_12 | OS60J12 | OS100J03 | OS200J03 | OS400J03 | OS600J03 | OES800L3 |
|---|-----------------------|--------------------------|------------------|----------------|----------|----------|--------------|--------------|
| Rated breaking capacity | | | | | | | | |
| in category AC-23A | 500V A | 256 | 504 | 1280 | 1600 | 3200 | 5760 | 5760 |
| | 690V A | 256 | 504 | 1280 | 1600 | 3200 | 5760 | 5760 |
| Rated breaking capacity/poles in series | | | | | | | | |
| in category DC-23 | <220V A | 128/2 | — | — | 1000/2 | 1600/2 | 3200/2 | 3200/2 |
| | 440V A | 128/4 | — | — | 1000/2 | 1600/2 | 3200/2 | 3200/2 |
| | 500 – 750V A | — | — | — | 1000/3 | 1600/3 | 3200/3 | 3200/3 |
| | 1000V A | — | — | — | — | — | 3200/4 | 3200/4 |
| Rated conditional short-circuit current r.m.s. ③ | | | | | | | | |
| | 80 kA, 415V kA | 9 | 17 | 22 | 35 | 40 | 75 | 75 |
| | 100 kA, 500 V kA | 7.5 | 17 | 22 | 37.5 | 40 | 75 | 75 |
| | 50 kA, 690 V kA | 6 | 13 | 15 | 35 | 35 | 60 | 60 |
| Rated short time withstand current, 1s. kA | | 1 | 2.5 | 5 | 8 | 10 | 16 | 16 |
| Rated capacitor power | | | | | | | | |
| The capacitor rating of the fusible disconnect switch is limited by the fuse link | | | | | | | | |
| | 400 V kVar | 15 | 30 | — | — | 180 | 250 | 310 |
| | 415V kVar | 15 | 32 | — | — | 200 | 270 | 340 |
| | 690V kVar | 25 | 50 | — | — | 325 | 450 | 550 |
| Power loss/pole | | | | | | | | |
| with rated current, without fuse | W | 2 | 4 | 9 | 8 | 30 | 46 | 77 |
| Mechanical endurance | operations | 20,000 | 20,000 | 20,000 | 20,000 | 16,000 | 10,000 | 10,000 |
| Fuse types, IEC 269-2 | DIN 43620 | — | 000, 00 | 000, 00 | — | 0 – 2 | 3 | 3 |
| | NFC | 10 x 38, 14 x 51 | 14 x 51, 22 x 58 | 22 x 58 | — | 0 – 2 | 3 | — |
| | BS 88 | A1, A2, F1 | A2 – A3 | A2 – A4 | B1 – B2 | B1 – B4 | C1 – C2 | C1 – C3 |
| size/distance of link bolts | | M4/44.5(A1) M5/73(A2) | M5/73 | M5/73 M8/94 | M6/111 | M8/111 | M10/133, 184 | M10/133, 184 |
| Physical characteristics | | | | | | | | |
| Weight | 3 pole kg | 0.7 | 1.3 | 1.5 | 2.6 | 5.7 | 13.0 | 17.0 |
| | 4 pole kg | 0.9 | 1.6 | 1.8 | 7.9 | 6.9 | 17.0 | 21.0 |
| Dimension | 3 pole H mm | 93 | 100 | 144 | 198.5 | 236 | 306 | 282 |
| | W mm | 106 | 143 | 179 | 181.5 | 255 | 343 | 376 |
| | D mm | 104 | 120 | 129 | 132 | 176 | 233 | 233 |
| Shaft size | square mm | 6 x 6 | 6 x 6 | 6 x 6 | 6 x 6 | 12 x 12 | 12 x 12 | 12 x 12 |
| Terminals | | | | | | | | |
| Built-in terminal size mm ² | | 0.5 – 10 | 2.5 – 25 | — | — | — | — | — |
| Terminal bolt size, metric thread diameter x length mm | | — | — | M6 x 20 | M8 x 25 | M10 x 40 | M12 x 40 | M12 x 40 |
| Terminal bolt tightening torque | Nm | 2 | 3.5 | 6 – 9 | 15 – 22 | 30 – 44 | 50 – 75 | 50 – 75 |
| Fuse-links bolts tightening torque | Nm | 2 | 3.5 | 3.5 – 5 | 4 | 15 | 40 | 40 |
| Operating torque | Nm | 3 | 4 | 8 | 7 | 22 | 28 | 28 |
| Auxiliary contacts | | OA4G_ | OA1/3G_ | OA_G_ | OA_G_ | OA_G_ | OA_G_ | OZXK_ |
| | | ① | ② | ② | ② | ② | ② | ② |
| Ratings according to IEC 947-5-1 | | | | | | | | |
| Rated voltage, U _i | VAC | 690 | 690 | 690 | 690 | 690 | 690 | 690 |
| Thermal current, I _m | A | 10 | 16 | 16 | 16 | 16 | 16 | 10 |
| AC12 / DC12, I _e | U _e =24V A | — / 6 | — | — | — | — | — | — |
| | 120V A | — / 6 | — | — | — | — | — | 8 / — |
| | 125V A | — | — | — | — | — | — | — / 1.1 |
| | 230V A | — | 6 / — | 6 / — | 6 / — | — | — | 6 / — |
| | 250V A | 3 / 0.1 | — | — | — | — | — | — / 0.55 |
| | 400V A | — | 4 / — | 4 / — | 4 / — | — | — | 4 / — |
| | 415V A | — | — | — | — | — | — | 4 / — |
| | 440V A | 2 / — | — | — | — | — | — | — / 0.31 |
| | 480V A | — | — | — | — | — | — | 3 / — |
| | 500V A | — | — | — | — | — | — | 3 / 0.27 |
| | 600V A | — | — | — | — | — | — | — / 0.2 |
| | 690V A | — | 2 / — | 2 / — | 2 / — | 2 / — | 2 / — | 2 / — |

① AC15 / DC12, according to IEC 947-5-1

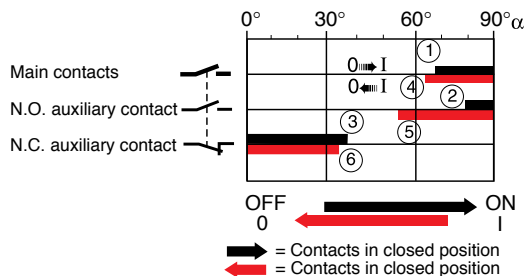
② AC15, according to IEC 947-5-1

③ Values shown are corresponding max. allowed cut-off current, peak-values per single phase fuse tests.

Auxiliary contact timing diagrams OT16 – OT100

Disconnect
switches
Technical
data

Legend



Contacts closing

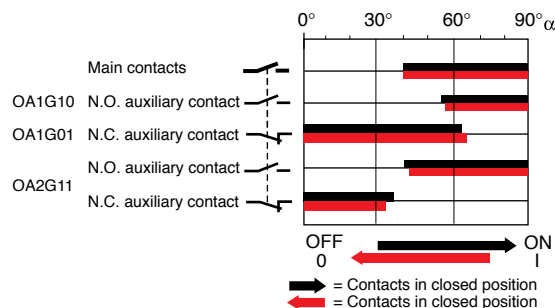
- ① Main contacts close
- ② N.O. auxiliary contacts close
- ③ N.C. auxiliary contacts open

Contacts opening

- ④ Main contacts open
- ⑤ N.O. auxiliary contacts open
- ⑥ N.C. auxiliary contacts close

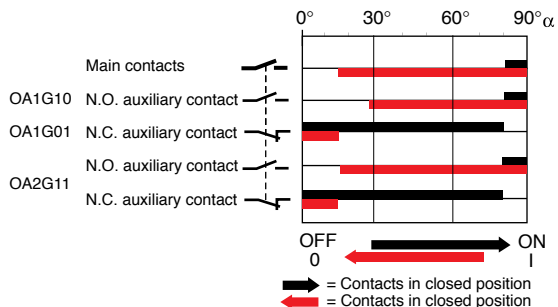
OT16, OT25, OT40

| Catalog number | Auxiliary contact | Contact configuration |
|------------------|----------------------------|-------------------------------------|
| OT16, OT25, OT40 | OA1G10 OA1G01 OA2G11 | 1 N.O. 1 N.C. 1 N.O. & 1 N.C. |



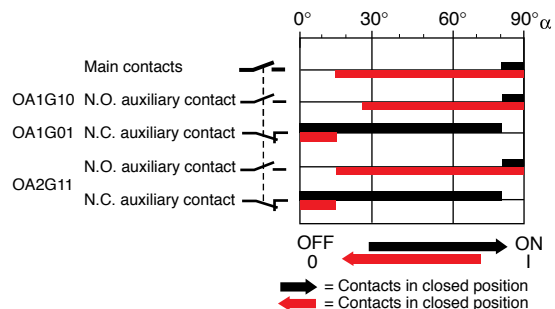
OT63, OT80

| Catalog number | Auxiliary contact | Contact configuration |
|----------------|----------------------------|-------------------------------------|
| OT63, OT80 | OA1G10 OA1G01 OA2G11 | 1 N.O. 1 N.C. 1 N.O. & 1 N.C. |



OT30, OT60, OT100

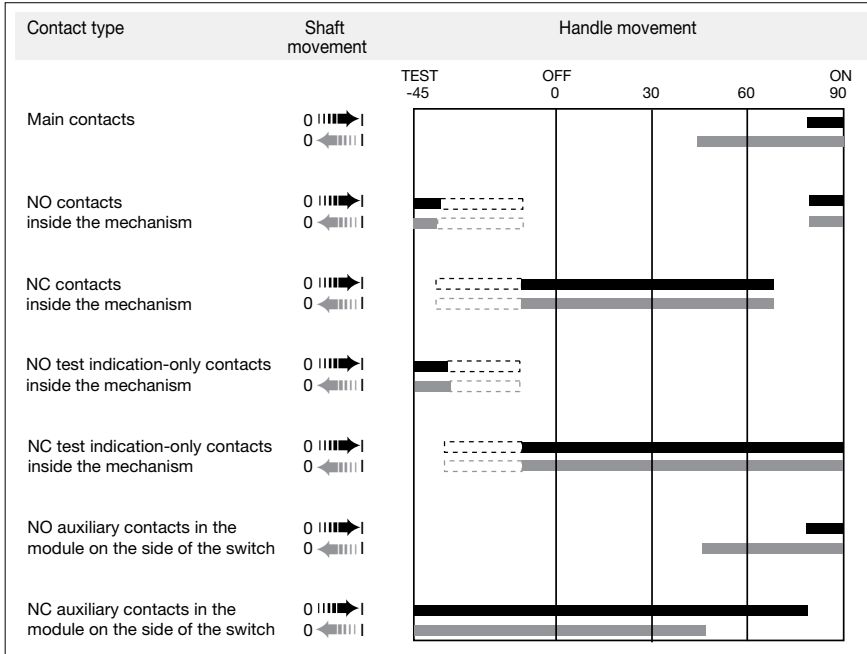
| Catalog number | Auxiliary contact | Contact configuration |
|-------------------|----------------------------|-------------------------------------|
| OT30, OT60, OT100 | OA1G10 OA1G01 OA2G11 | 1 N.O. 1 N.C. 1 N.O. & 1 N.C. |



Auxiliary contact timing diagrams OT200U – OETL-NF3150

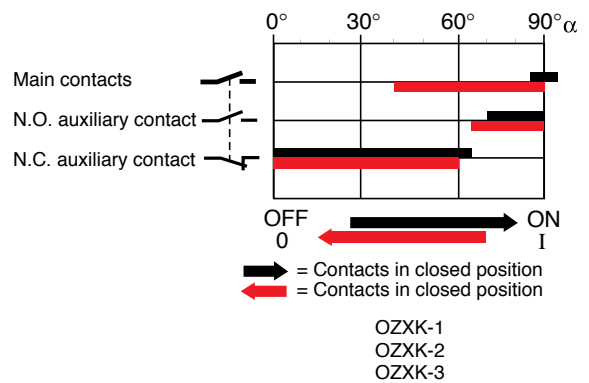
OT200U03 – OT600U03

| Catalog number | Auxiliary contact | Contact configuration |
|------------------------|-------------------|-----------------------|
| OT200U03 – OT600U03 | OA1G10 OA3G01 | 1 N.O. 1 N.C. |



OETL-NF800A – OETL-NF3150

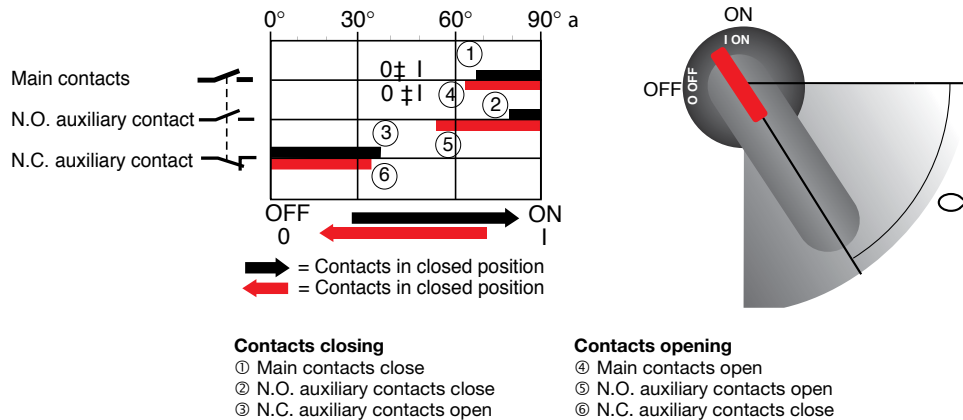
| Catalog number | Auxiliary contact | Contact configuration |
|------------------------------|----------------------------|---|
| OETL-NF800A – OETL-NF3150 | OZXK-1 OZXK-2 OZXK-3 | 1 N.O. & 1 N.C. 2 N.O. & 2 N.C. 4 N.O. & 4 N.C. |



Auxiliary contact timing diagrams OS30_ – OS100

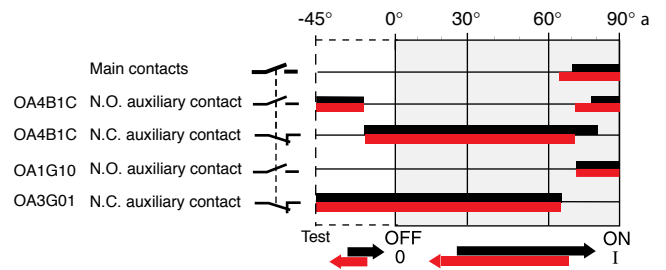
Disconnect
switches
Technical
data

Legend



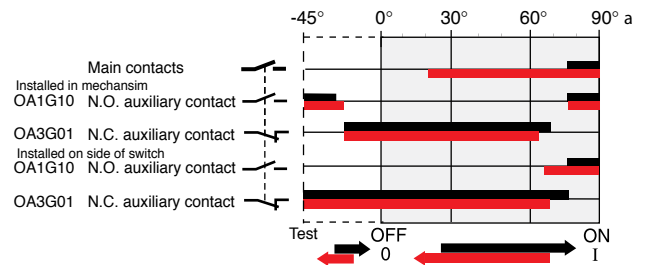
OS30_

| Catalog number | Auxiliary contact | Contact configuration |
|----------------|----------------------------|-------------------------------------|
| OS30_ | OA4B1C OA1G10 OA3G01 | 1 N.O. & 1 N.C. 1 N.O. 1 N.C. |



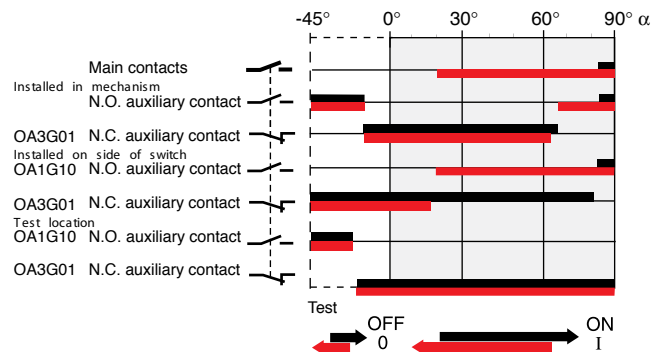
OS60

| Catalog number | Auxiliary contact | Contact configuration |
|----------------|-------------------|-----------------------|
| OS60 | OA1G10 OA3G01 | 1 N.O. 1 N.C. |



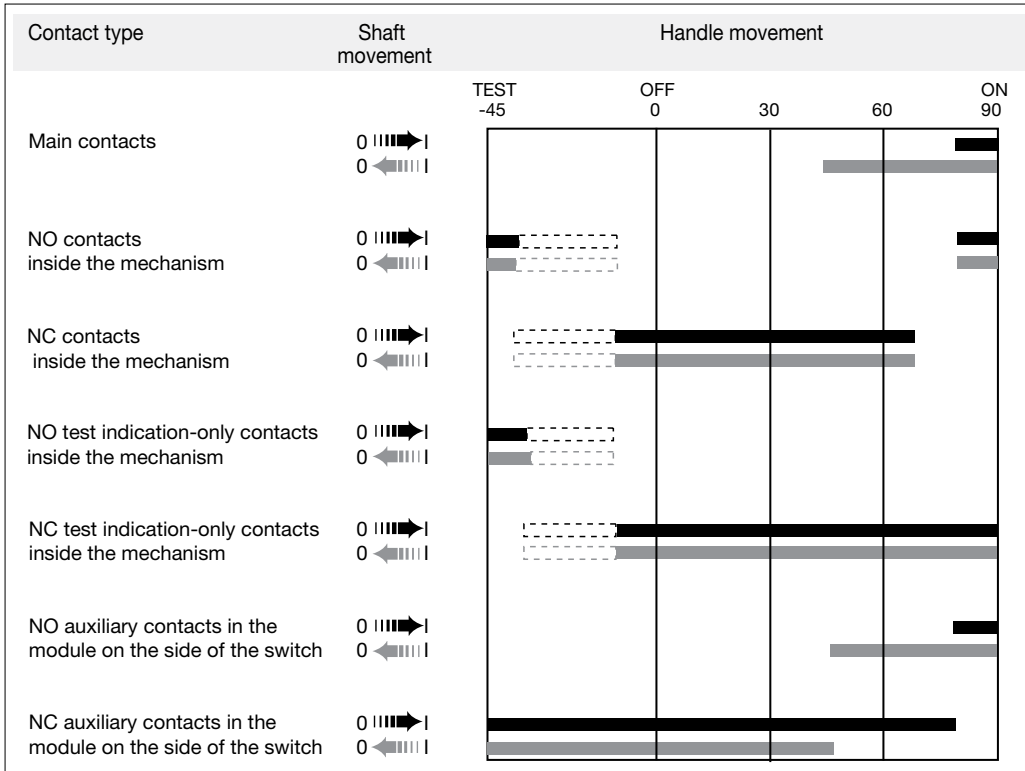
OS100

| Catalog number | Auxiliary contact | Contact configuration |
|----------------|-------------------|-----------------------|
| OS100 | OA1G10 OA3G01 | 1 N.O. 1 N.C. |



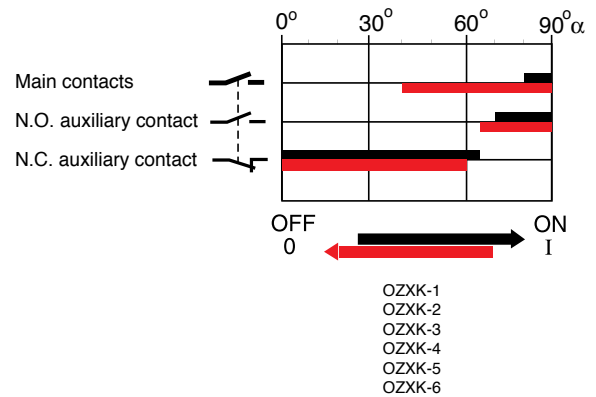
Auxiliary contact timing diagrams OS200 – OES800

OS200 - OS600



OES800

| Catalog number | Auxiliary contact | Contact configuration |
|----------------|-------------------|-----------------------|
| OES800 | OZXK-1 | 1 N.O. & 1 N.C. |
| | OZXK-2 | 2 N.O. & 2 N.C. |
| | OZXK-3 | 4 N.O. & 4 N.C. |
| | OZXK-4 | 2 N.O. |
| | OZXK-5 | 4 N.O. |
| | OZXK-6 | 8 N.O. |



Technical data

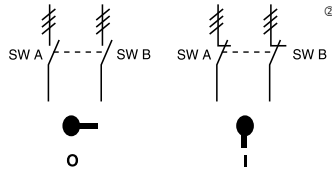
Other configuration descriptions

Disconnect
switches
Technical
data

Conversion mechanisms

6 or 8 pole

6 (8) pole mechanism allows two switches controlled by one handle to open or close simultaneously.

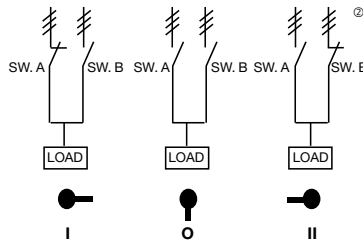


| | POS. O | POS. I |
|-------|--------|--------|
| SW. A | O | X |
| SW. B | O | X |

X = Closed
O = Open

Double throw^①

Transfer mechanism manually transfers between two power sources using two switches and a center "OFF" position.

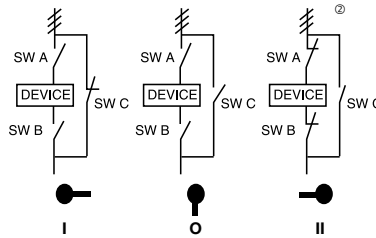


| | POS. I | POS. O | POS. II |
|-------|--------|--------|---------|
| SW. A | X | O | O |
| SW. B | O | O | X |

X = Closed
O = Open

Bypass^①

Bypass mechanism operates three switches: Two switches in series and one changeover switch to allow power bypass.

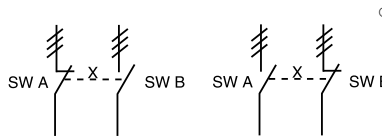


| | POS. I | POS. O | POS. II |
|-------|--------|--------|---------|
| SW. A | O | O | X |
| SW. B | O | O | X |
| SW. C | X | O | O |

X = Closed
O = Open

Mechanical interlock

Mechanical interlock mechanism prevents both switches from being in the ON position at the same time.



| | SW. A POS. I | SW. B POS. O |
|-------|-----------------|-----------------|
| SW. A | X | O |
| SW. B | O | X |

X = Closed
O = Open

^① Transfer and bypass enclosed switches include the load side bussed or cabled together and all switches come standard with ground lugs.

^② = Three poles

Introduction

An enclosure is a surrounding case constructed to provide a degree of protection to personnel against accidental contact with the enclosed equipment and to provide a degree of protection to the enclosed equipment against specified environmental conditions.

A brief description of the more common types of enclosures used by the electrical industry relating to their environmental

capabilities follows. Refer to NEMA Standards Publication for more information regarding applications, features and design tests.

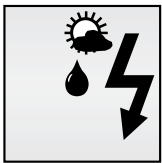
Individual NEMA product Standards Publications or third party certification standards may contain additional requirements for product testing and performance.

Definitions pertaining to nonhazardous locations



Type 1

Enclosures are intended for indoor use primarily to provide a degree of protection against limited amounts of falling dirt. (NEMA Standard 7-15-1991.)



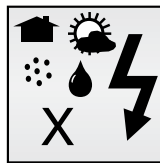
Type 3R

Enclosures are intended for outdoor use primarily to provide a degree of protection against rain, sleet and damage from external ice formation. (NEMA Standard 7-15-1991.)



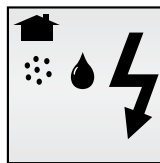
Type 4

Enclosures are intended for indoor or outdoor use primarily to provide a degree of protection against windblown dust and rain, splashing water, hose-directed water and damage from external ice formation. (NEMA Standard 1-10-1979.)



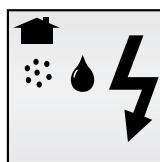
Type 4X

Enclosures are intended for indoor or outdoor use primarily to provide a degree of protection against corrosion, windblown dust and rain, splashing water, hose-directed water and damage from external ice formation. (NEMA Standard 1-10-1979)



Type 12

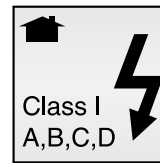
Enclosures are intended for indoor use primarily to provide a degree of protection against circulating dust, falling dirt, and dripping noncorrosive liquids. (NEMA Standard 7-15-1991.)



Type 13

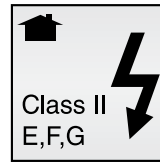
Enclosures are intended for indoor use primarily to provide a degree of protection against dust, spraying of water, oil and noncorrosive coolant. (NEMA Standard 1-10-1979.)

Definitions pertaining to hazardous locations



Type 7

Enclosures are intended for indoor use in locations classified as Class I, Groups A, B, C, or D, as defined in the National Electrical Code. (NEMA Standard 7-15-1991.)



Type 9

Enclosures are intended for indoor use in locations classified as Class II, Groups E, F, or G, as defined in the National Electrical Code. (NEMA Standard 7-15-1991.)

Legend











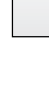










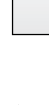
- Indoors
- Outdoors
- Water
- Dirt/dust
- Corrosion

IEC Environmental ratings

Disconnect
switches
Technical
data

IP ratings

indicate the degree of protection against dust, liquids and impacts. The IP degrees of protection are defined by the French standard NFC 20-010. To rate a device's degrees of protection, the letters IP are followed by up to three numbers. These numbers are defined as follows:

| first number protection against solid objects | second number protection against liquids | third number protection against mechanical impacts |
|--|---|--|
| IP 0  no protection | IP 0  no protection | IP 0  no protection |
| 1  protected against solid objects over 50mm (e.g. accidental touch by hands.) | 1  protected against vertically falling rain or condensation | 1  impact 0,225 joule 150g falling from 15 cm |
| 2  protected against solid objects over 12 mm (e.g. fingers) | 2  protected against direct sprays of water up to 15° from vertical | 2  impact 0,375 joule 250g falling from 15 cm |
| 3  protected against solid objects over 2.5 mm (tools & wires) | 3  protected against sprays to 60° from vertical | 3  impact 0,50 joule 250g falling from 20cm |
| 4  protected against solid objects over 1mm (small tools & small wires) | 4  protected against water sprayed from all directions | 5  impact 2,00 joule 500g falling from 40 cm |
| 5  protected against dust (no harmful deposit) | 5  protected against low pressure jets of water from all directions | 7  impact 6,00 joule 1.5kg falling from 40 cm |
| 6  totally protected against dust | 6  protected from strong jets of water (e.g. for use on ship decks) | 9  impact 20,00 joule 5 kg falling from 40 cm |
| | 7  protected against the effects of immersion between 15cm and 1m | |

AC – Alternating current — Current that reverses its direction of flow twice per cycle.

Ambient temperature — Temperature of the air surrounding the unit.

Amp rating — The basic unit of measurement for electric current (columbs / seconds).

Conventional thermal current I_{th} — Value of the current the disconnect switch can withstand with poles in closed position, in free air for an eight hour duty, without the temperature rise of its various parts exceeding the limits specified by the standards.

Cycle duration — Total time of the on-load + off-load period.

DC – Direct current — Current that flows in only one direction.

Electrical endurance — Number of on-load operating cycles.

IEC environmental protection type — see page 18.48.

Full load amp current FLA — The current required by a motor to produce full-load torque at the motor's rated speed.

Inductive load — An electrical load characterized by having significant inrush (5 to 6 times FLA for typical design-B AC induction motors).

kW — Kilowatts (1000 watts)

Lockout/Tagout — Means of removing power from electrical equipment during inspection, service or repair.

Make / Break — ON / OFF

Mechanical endurance — Number of off-load operating cycles.

Poles in series — Means of connection poles using wires or bus bars to increase breaking capacity of load.

Power factor — The relationship between working power and total power consumed. Power factor measures how effectively electrical power is being used.

Rated insulation U_i — Voltage value which designates the unit and to which dielectric tests, clearance and creepage distances are referred.

Rated operating current I_o — Current value stated by the manufacturer and taking into account the rated operating voltage U_e , the rated frequency, the rated duty, the utilization category, the electrical contact life and the type of protective enclosure.

Rated operating voltage U_e — Voltage value to which utilization characteristics of the disconnect switch are referred, i.e. phase-to-phase voltage in 3 phase circuits.

Rated short circuit making capacity I_{cm} — The rated short-circuit making capacity of a disconnect switch, a disconnect or a switch-disconnector is the value assigned to equipment at the rated operational voltage, frequency (if any) and specified power-factor for AC or time constant for DC. It is expressed as the maximum prospective peak current under prescribed conditions.

Rated short time withstand current I_{cw} — The rated short-time withstand current of a disconnect switch, a disconnect or a switch-disconnector is the value that the equipment can carry without damage, under the test conditions specified in the relevant product standard. The value of the rated short-time withstand current shall be not less than twelve times the maximum rated operational current unless otherwise stated by manufacturer and the duration of the current shall be 1 s.

Resistive load — An electrical load characterized by not having any significant inrush current.

Short circuit protection coordination — Co-ordination types "1" and "2" are defined in IEC 947-4-1.

Type 1 coordination — There has to be no discharge of parts beyond the enclosure. Damage to the contactor and the overload is acceptable.

Type 2 coordination — No damage to the overload relay or other parts has occurred, except that welding of contactor or starter contacts is permitted, if they are easily separated.

Time constant — Ratio of inductance to the resistance:
 $L/R = \text{mH}/\text{Ohm} = \text{ms}$.

Torque — The force that produces rotation. It is commonly measured in pound-feet (lb-ft). Torque applies to such things as motor operations, handle rotations, wire tightening.

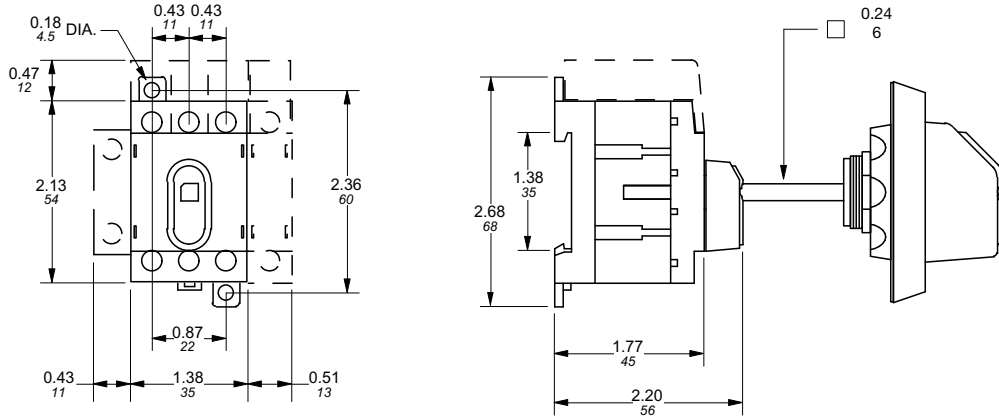
NEMA environmental protection type — see page 18.47.

Volt — The unit of electrical potential difference and electromotive force.

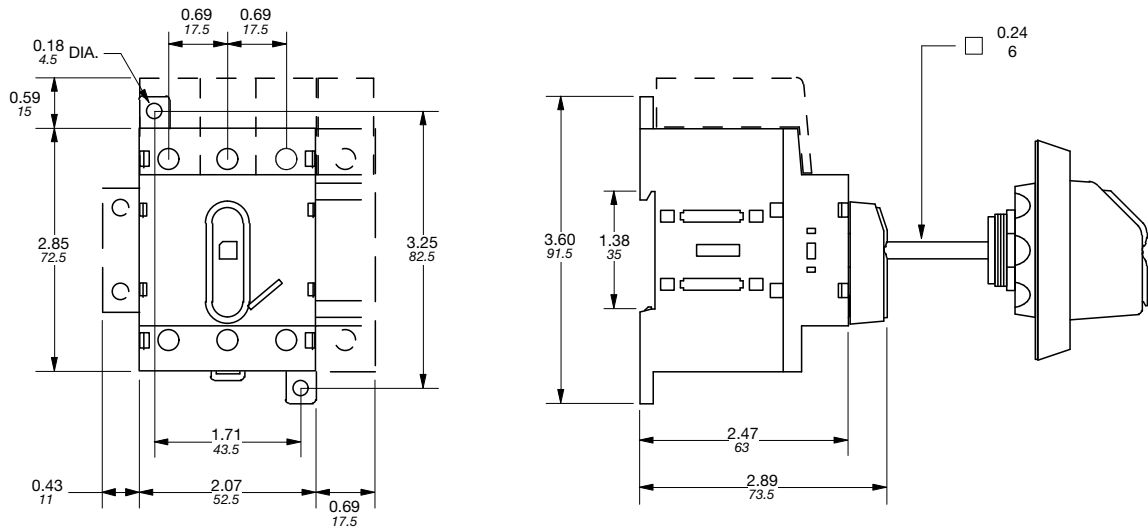
Approximate dimensions OT16F3 – OT100F3 Base & DIN rail mounted switches

00.00 Inches
00.00 [Millimeters]

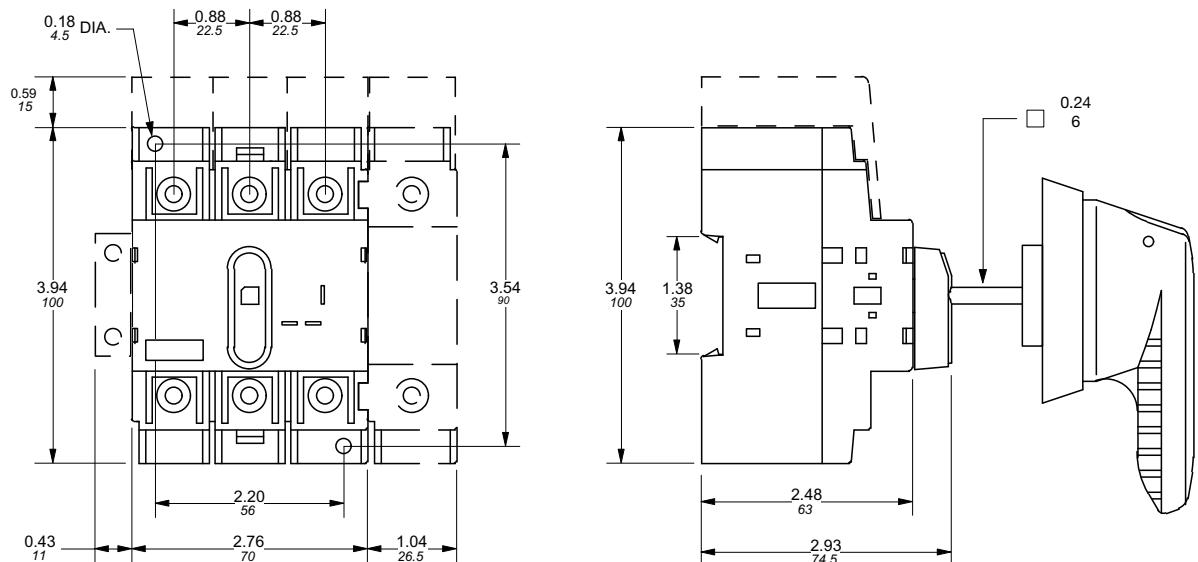
OT16F3, OT25F3, OT40F3 – base & DIN rail mounted switch



OT63F3, OT80F3 – base & DIN rail mounted switch



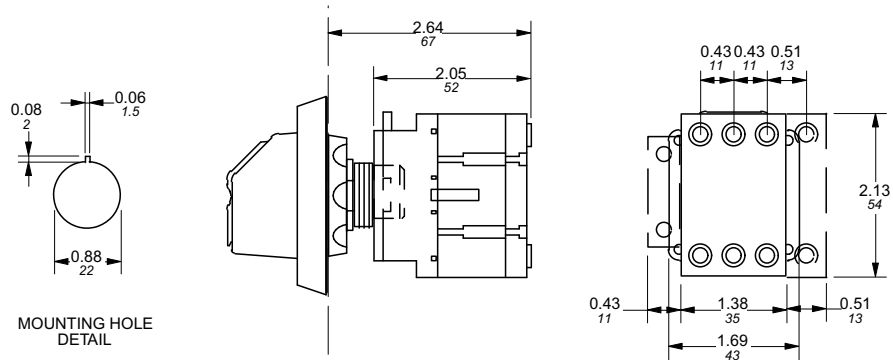
OT30F3, OT60F3, OT100F3 – base & DIN rail mounted switch



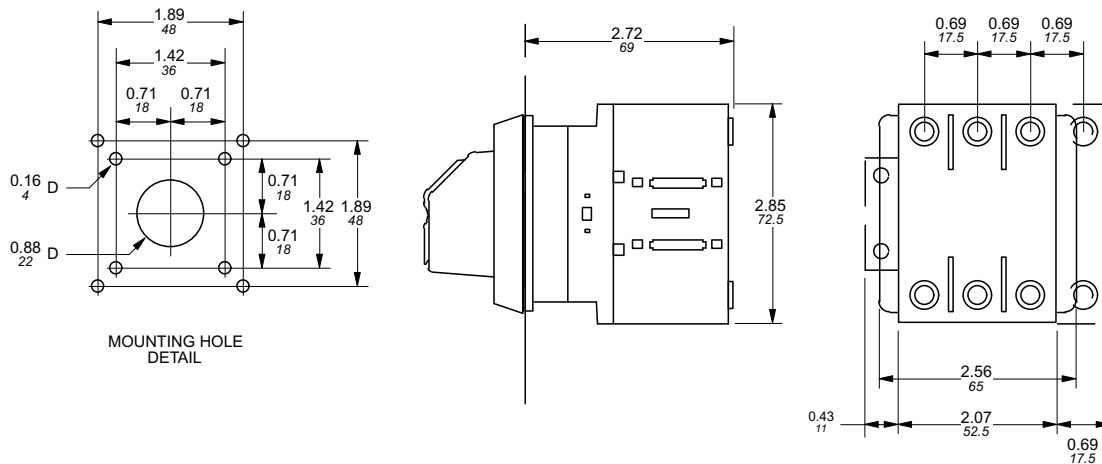
Approximate dimensions OT16FT3 – OT100FT3 Door mounted switches

← 00.00 Inches
00.00 → [Millimeters]

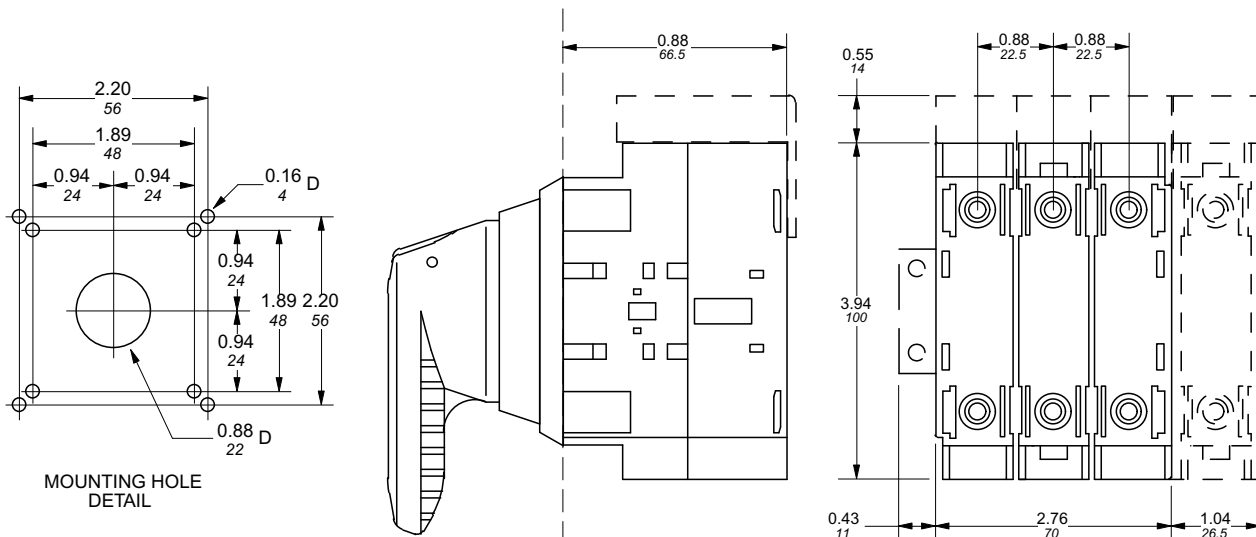
OT16FT3, OT25FT3, OT40FT3 – door mounted switch



OT63FT3, OT80FT3 – door mounted switch



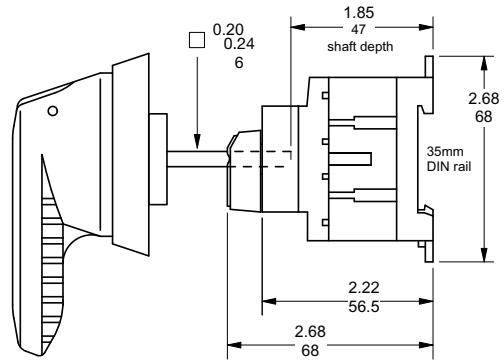
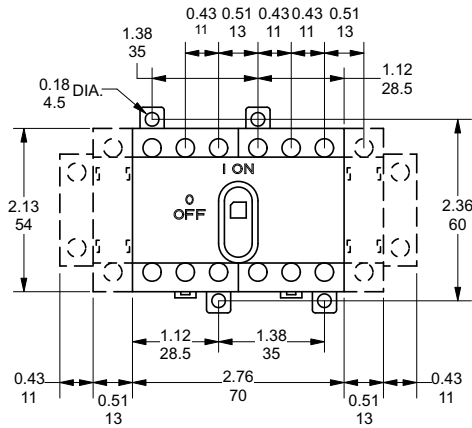
OT30FT3, OT60FT3, OT100FT3 – door mounted switch



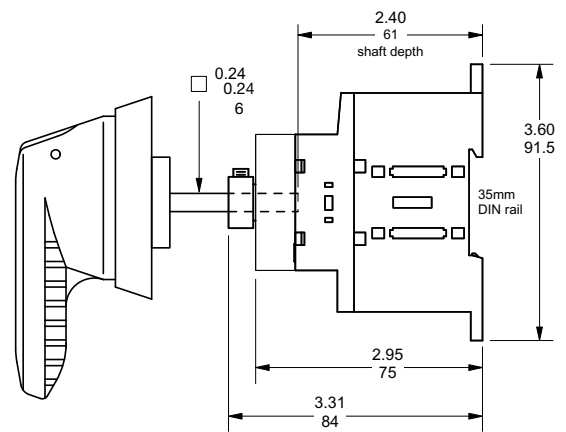
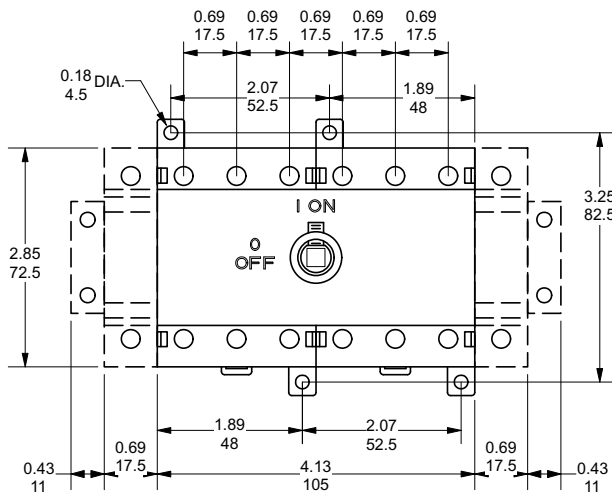
Approximate dimensions OT16F6 – OT100F6 6-pole switches

00.00 Inches
00.00 [Millimeters]

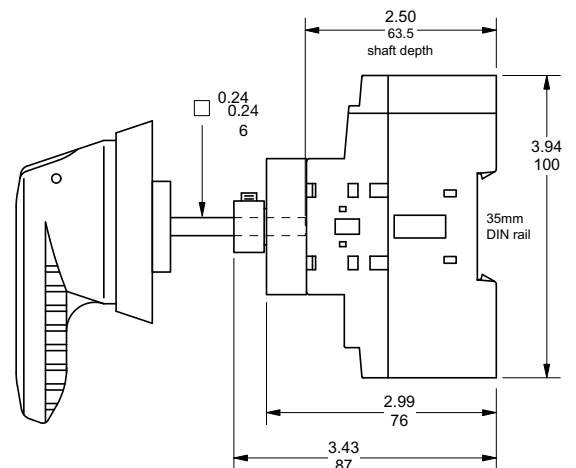
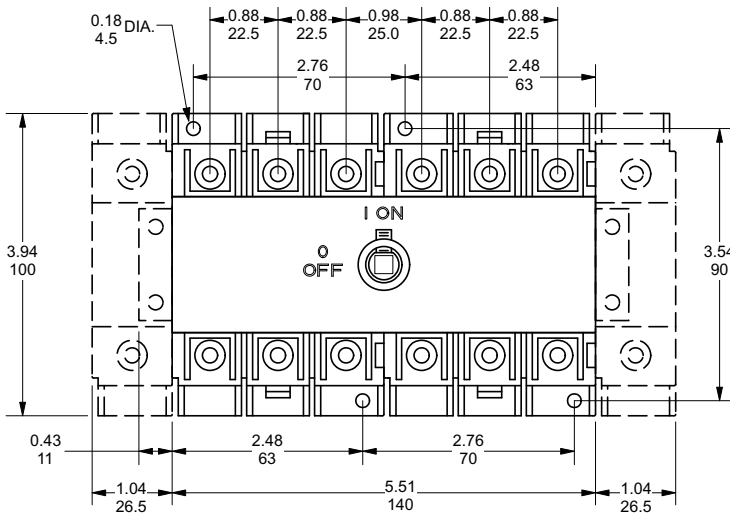
OT16, 25, 40F6 – 6 Pole switches



OT63, OT80F6 – 6 Pole switches



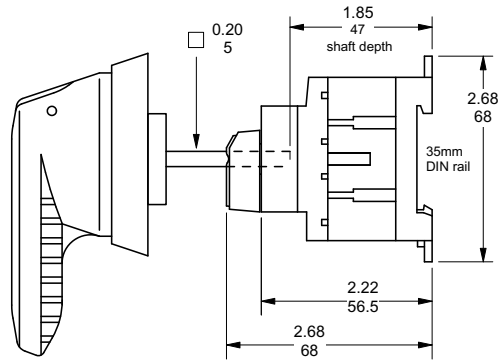
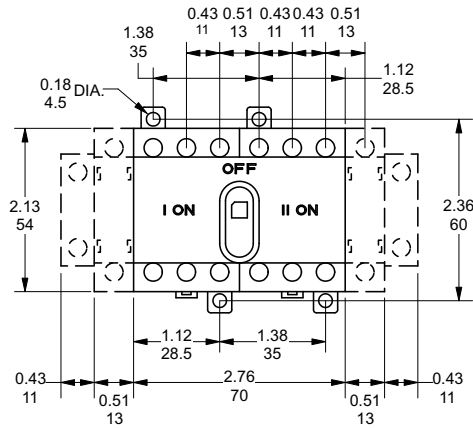
OT30, OT60, OT100F6 – 6 Pole switches



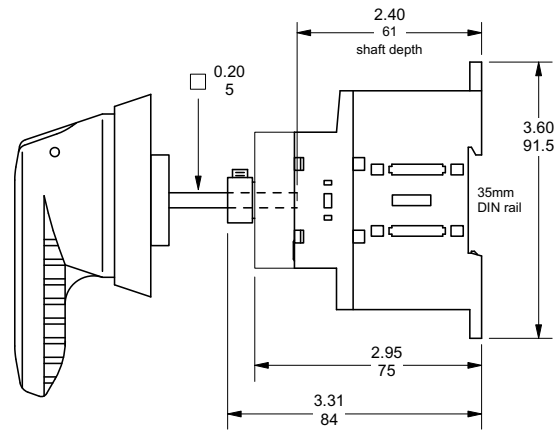
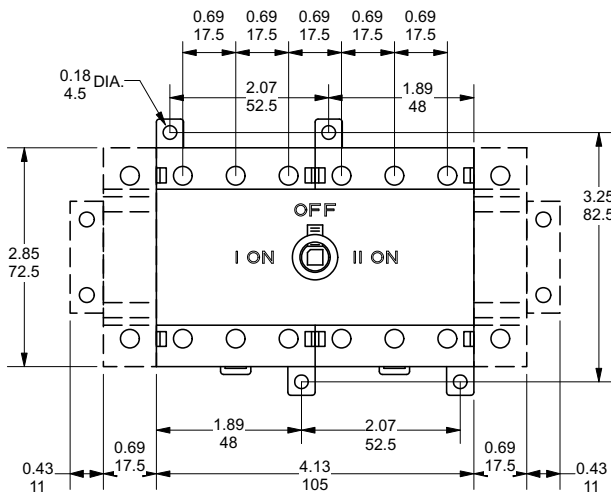
Approximate dimensions OT16 – OT100F3C Double throw switches

00.00 Inches
00.00 [Millimeters]

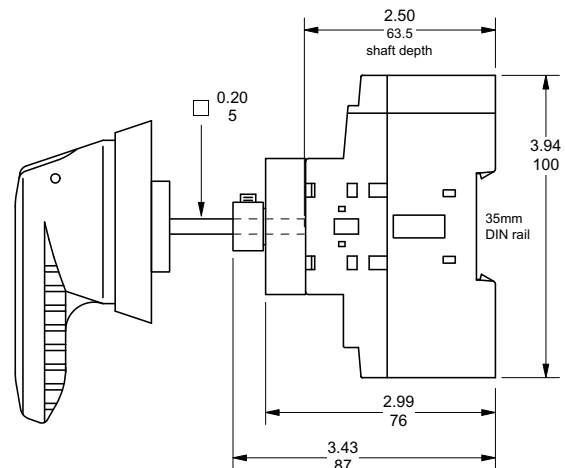
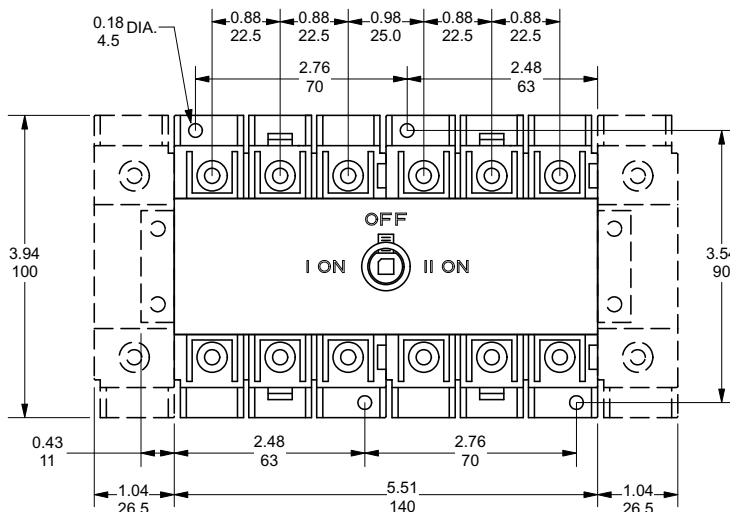
OT16, OT25, OT40F3C – Double throw switches



OT45, OT63, OT80F3C – Double throw switches



OT30, OT60, OT100F3C – Double throw switches

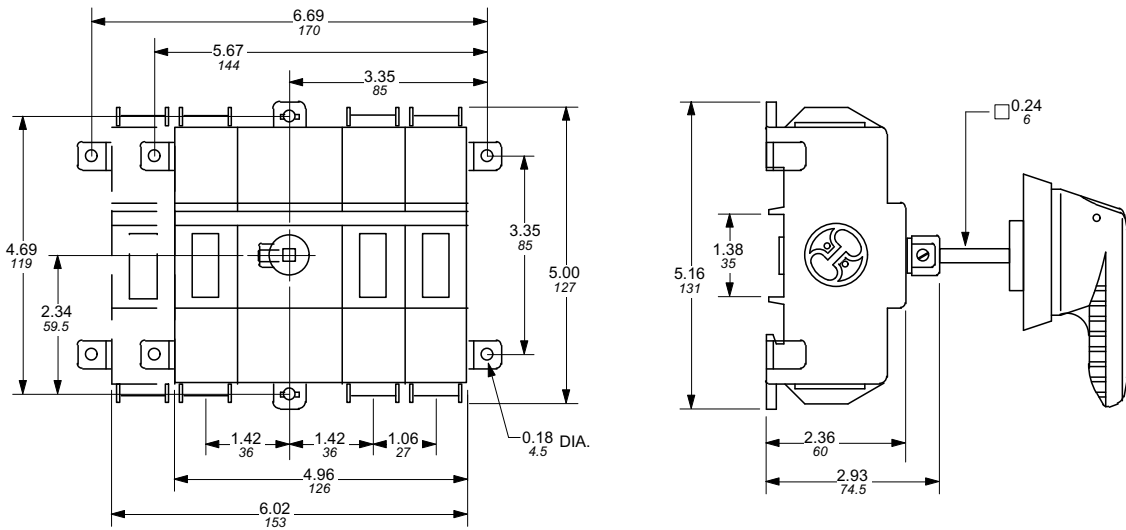


Approximate dimensions OT160E3 & OT160ET3

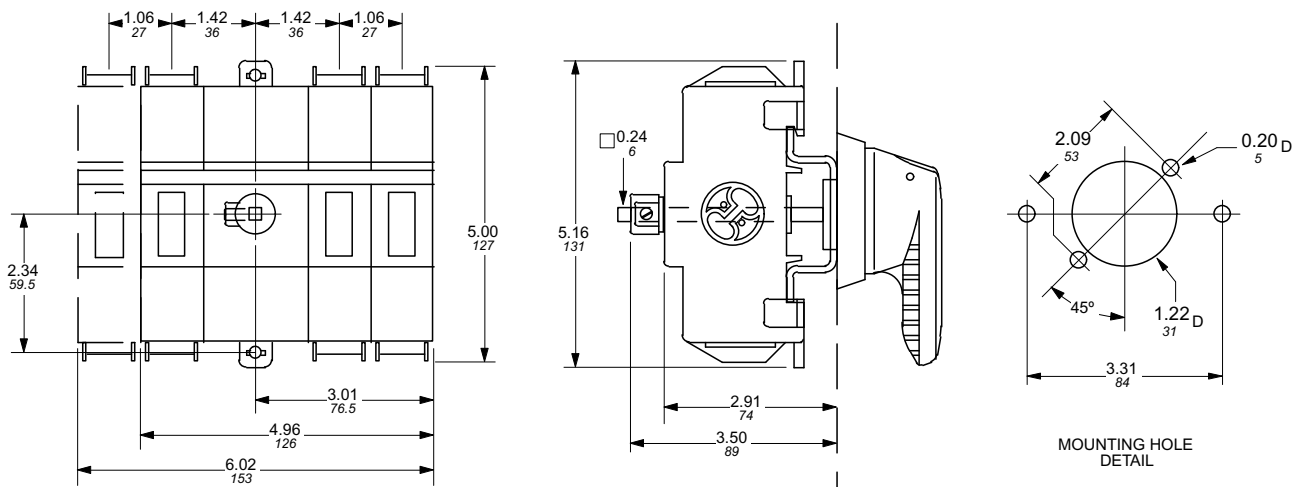
Disconnect
switches
Dimensions

00.00 Inches
00.00 [Millimeters]

OT160E3 – base & DIN rail mounted switch



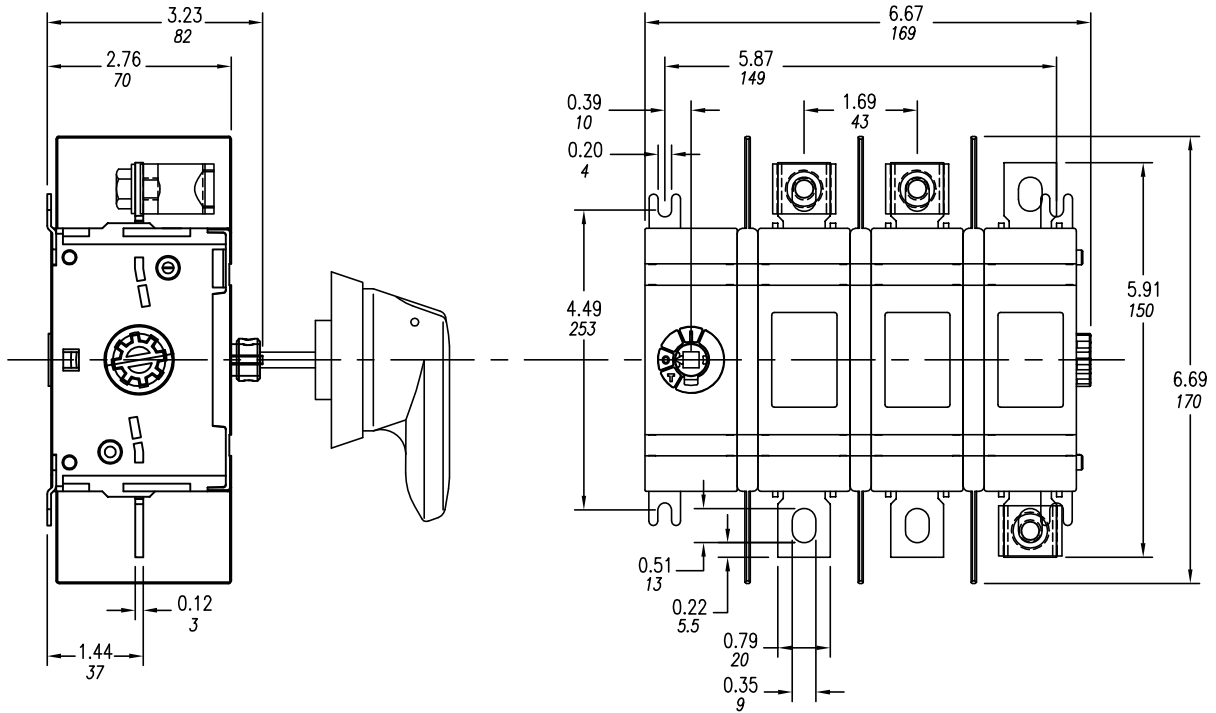
OT160ET3 – Door mounted switch



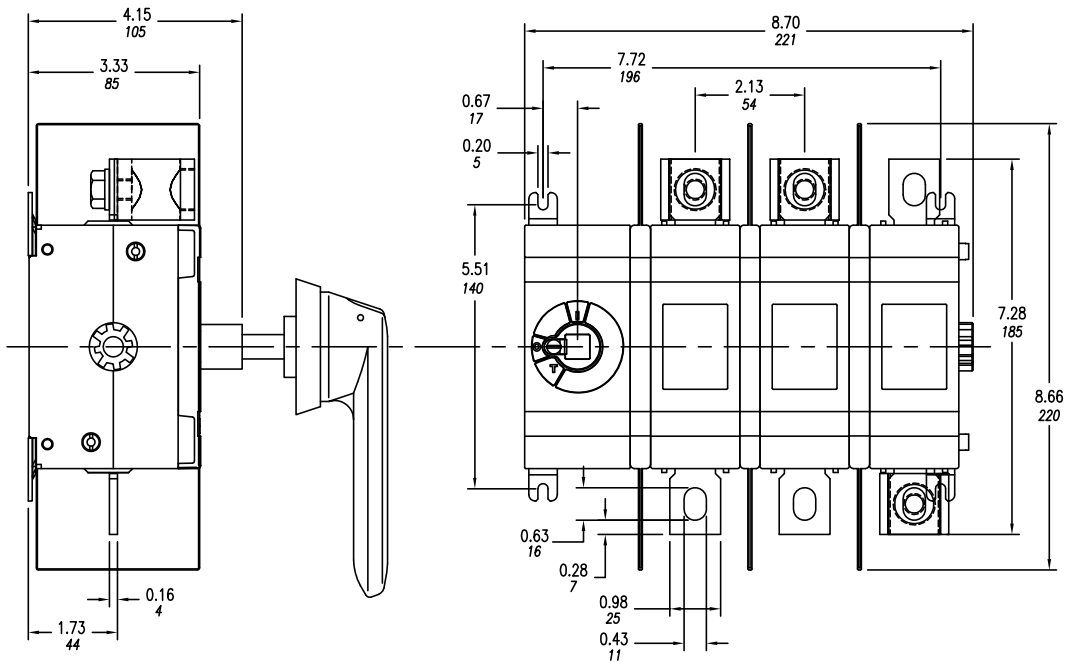
Approximate dimensions
OT200_ – OT400_

00.00 Inches
00.00 [Millimeters]

OT200U03



OT400U03

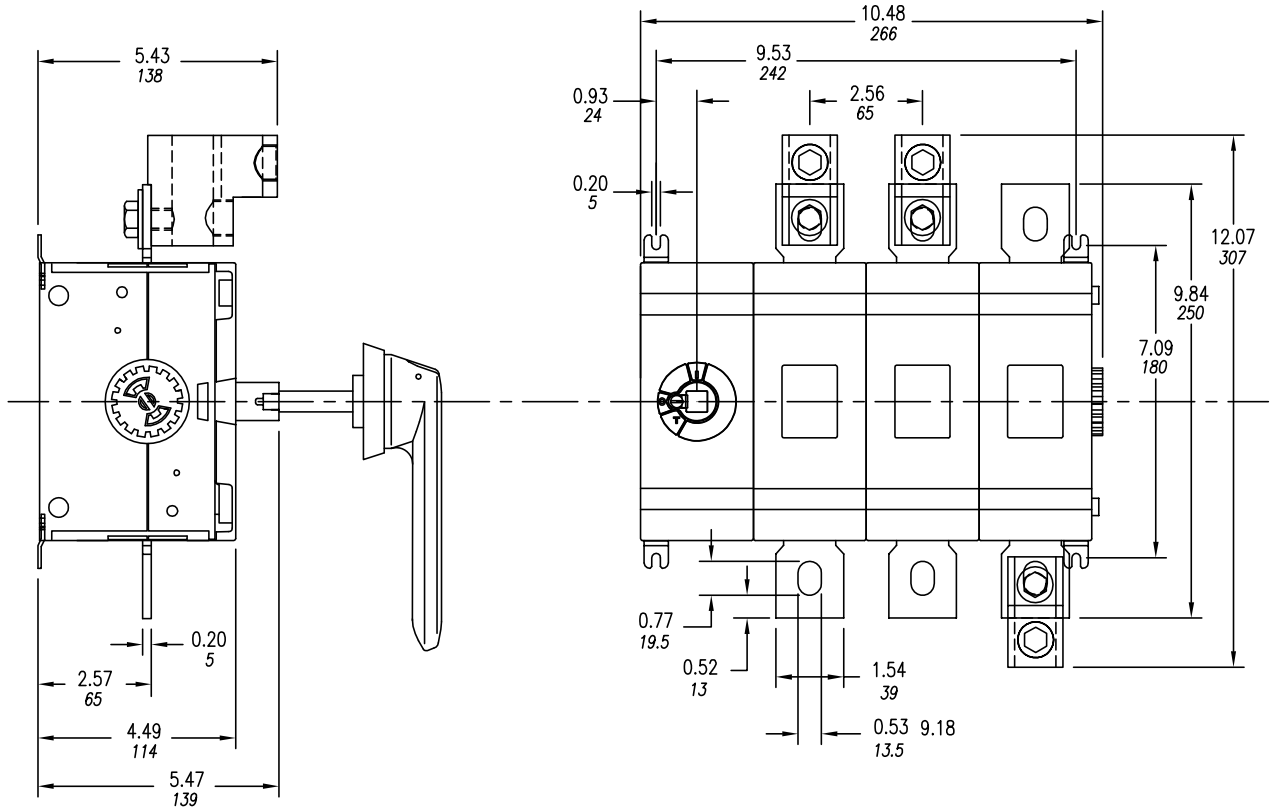


Approximate dimensions OT600U03 – OETL-NF800A

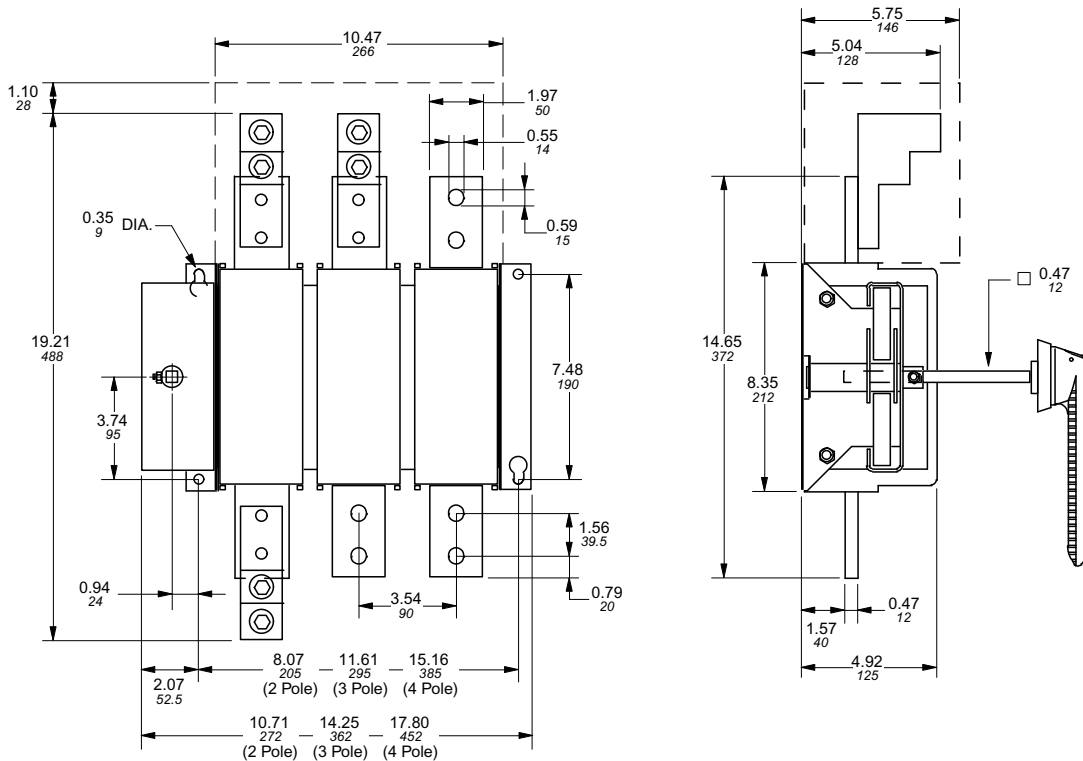
Disconnect
switches
Dimensions

00.00 Inches
00.00 [Millimeters]

OT600U03



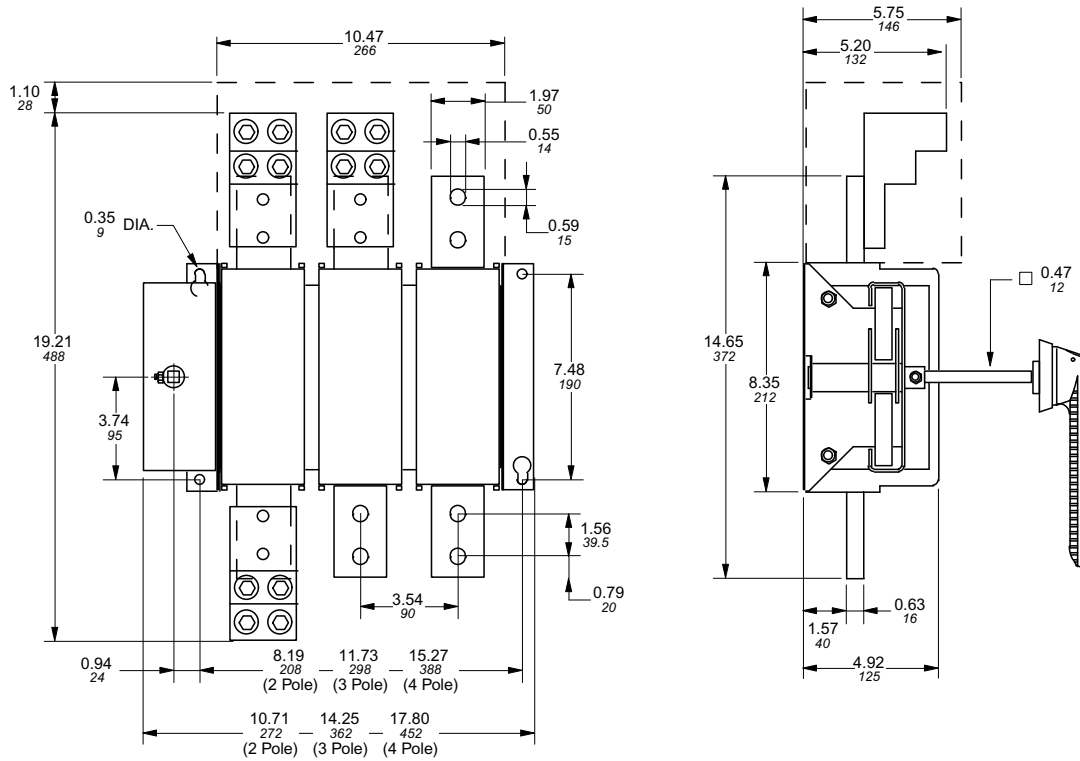
OETL-NF800A



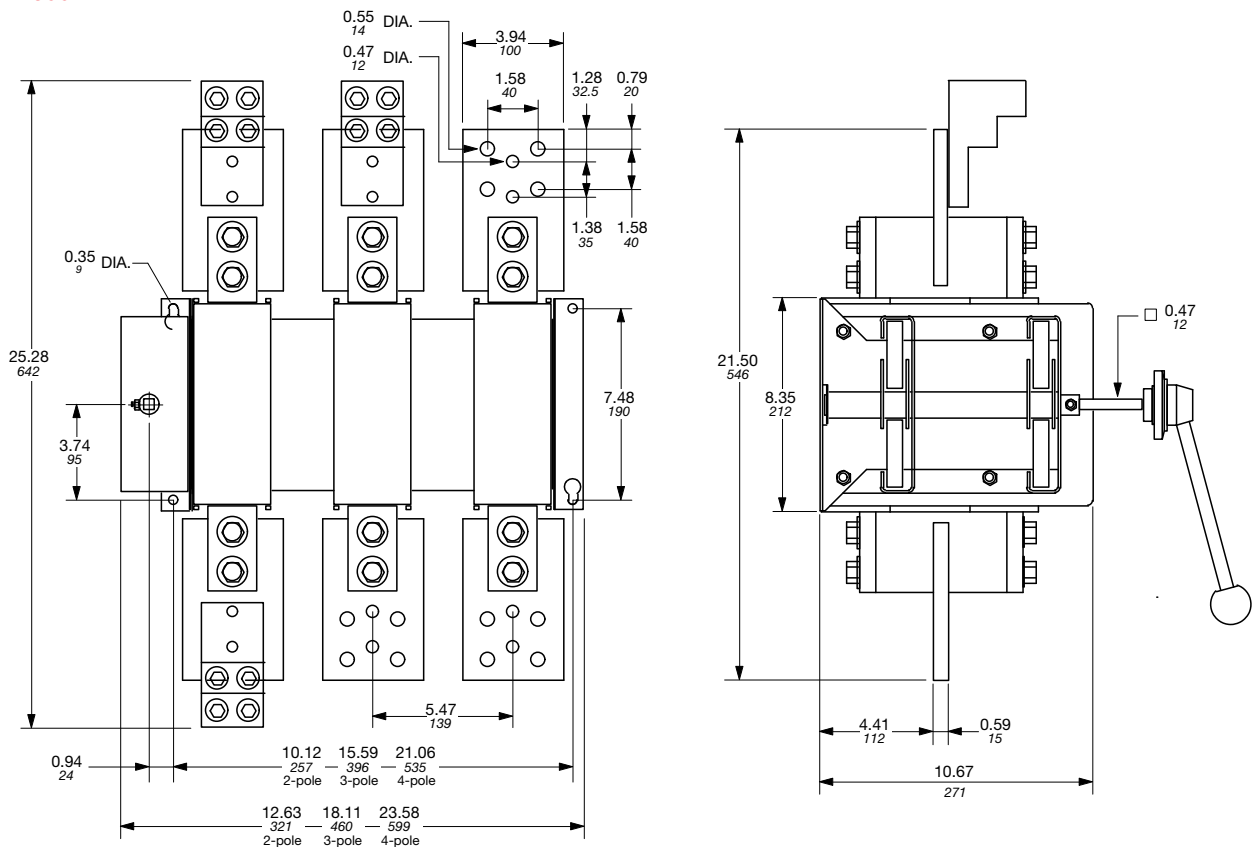
Approximate dimensions OETL-NF1200 – OETL-NF1600

00.00 Inches
00.00 [Millimeters]

OETL-NF1200



OETL-NF1600



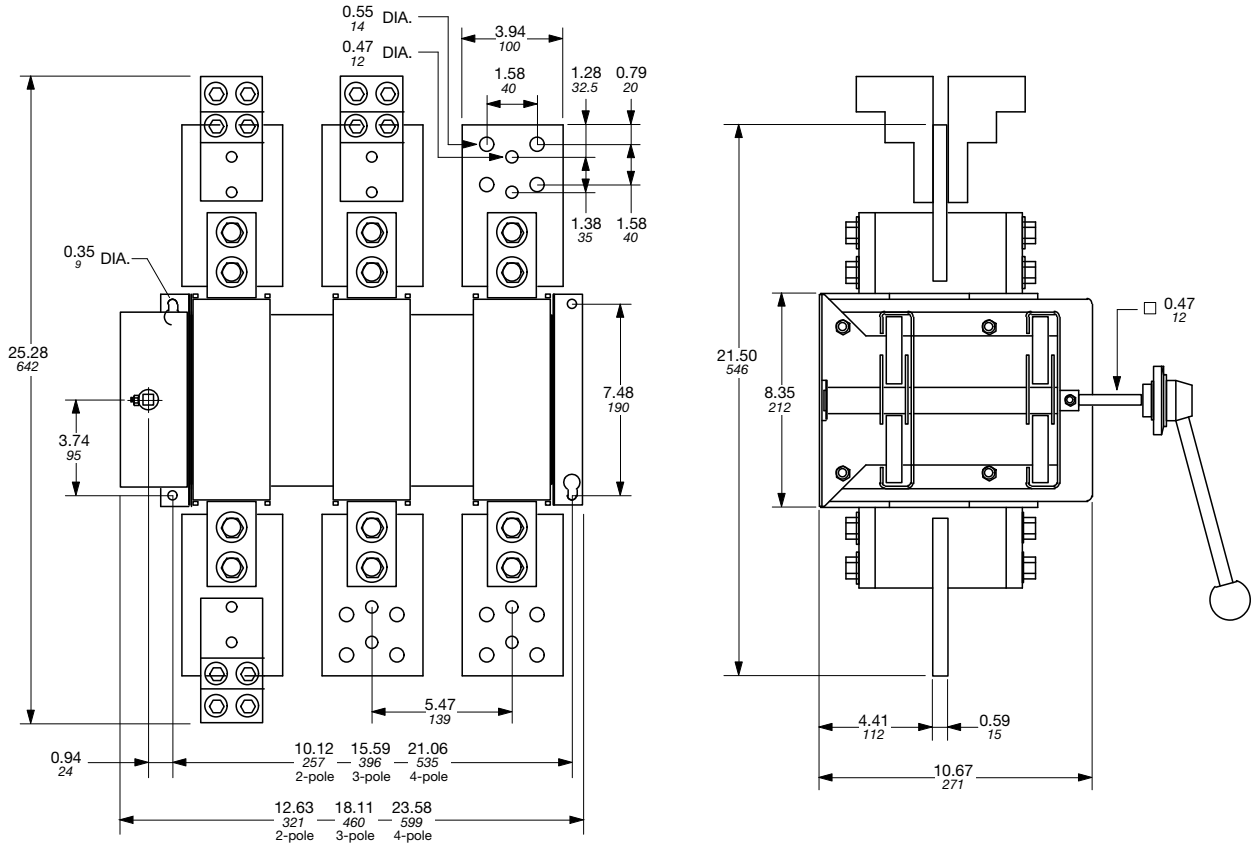
18

Approximate dimensions OETL-NF2000 – OETL-NF3150

Disconnect
switches
Dimensions

00.00 Inches
00.00 [Millimeters]

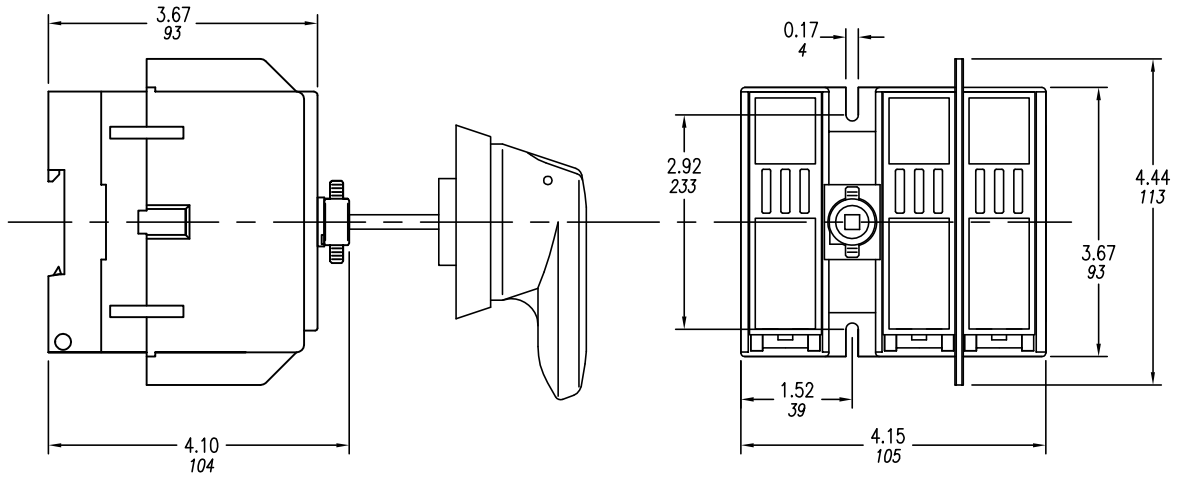
OETL-NF2000 – OETL-NF3150



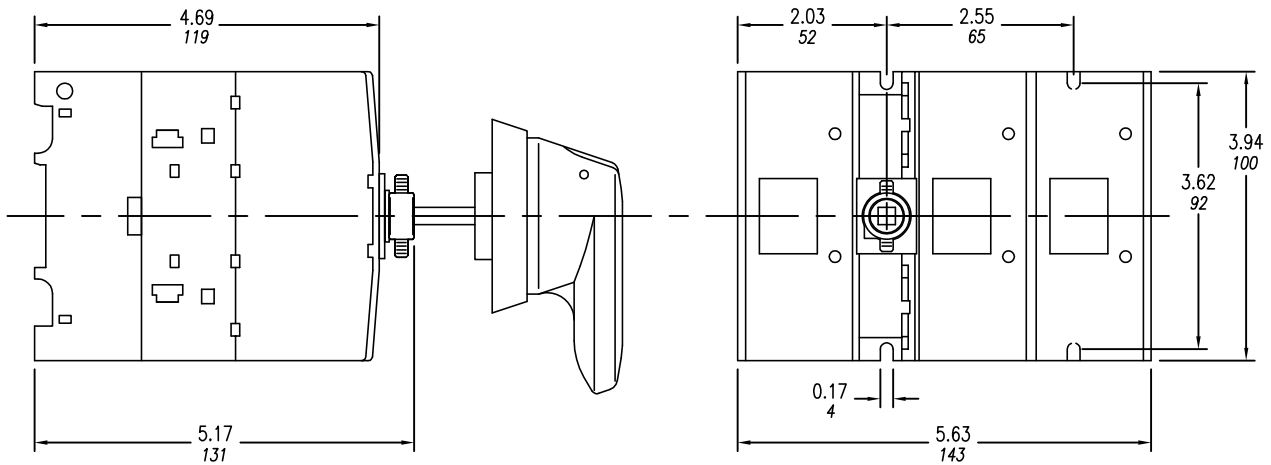
Approximate dimensions OS30FA_12 – OS60J_12

00.00 Inches
00.00 [Millimeters]

OS30FA_12



OS60J_12

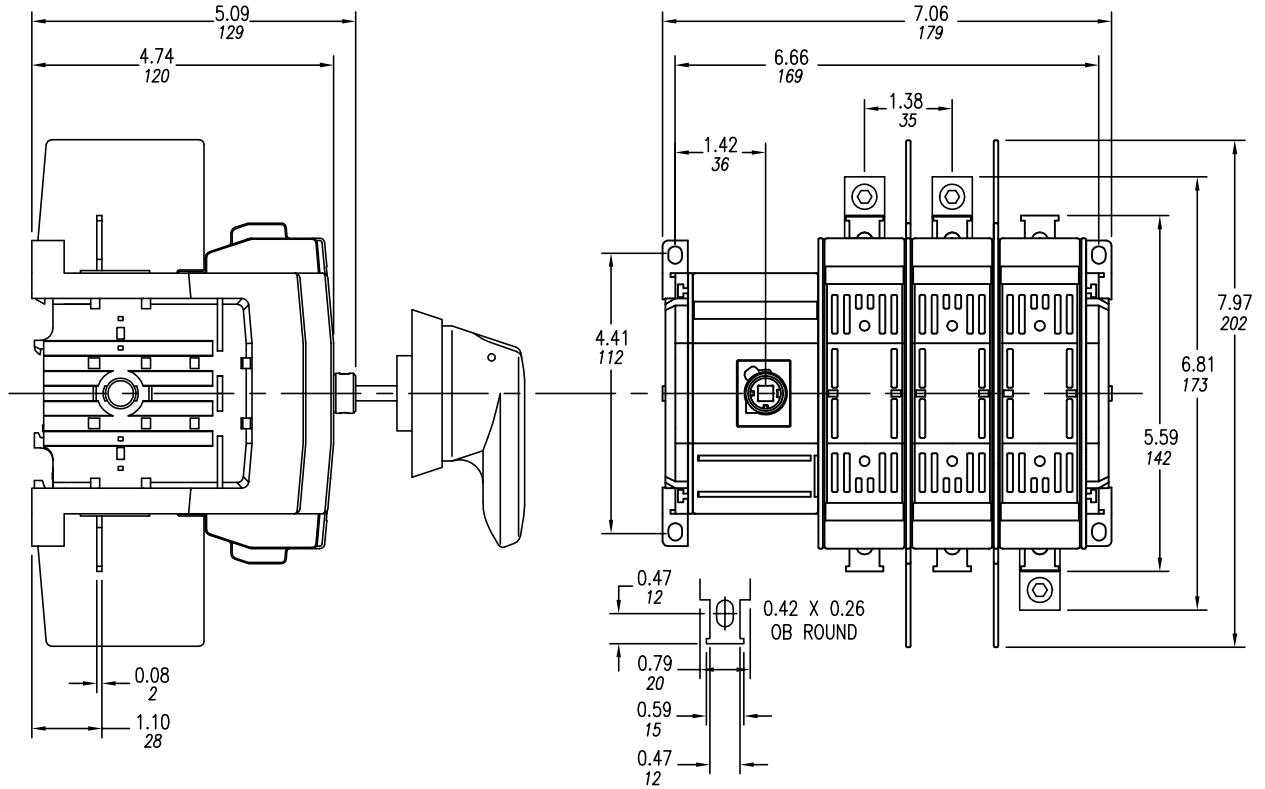


Approximate dimensions OS100J03 – OS200J03

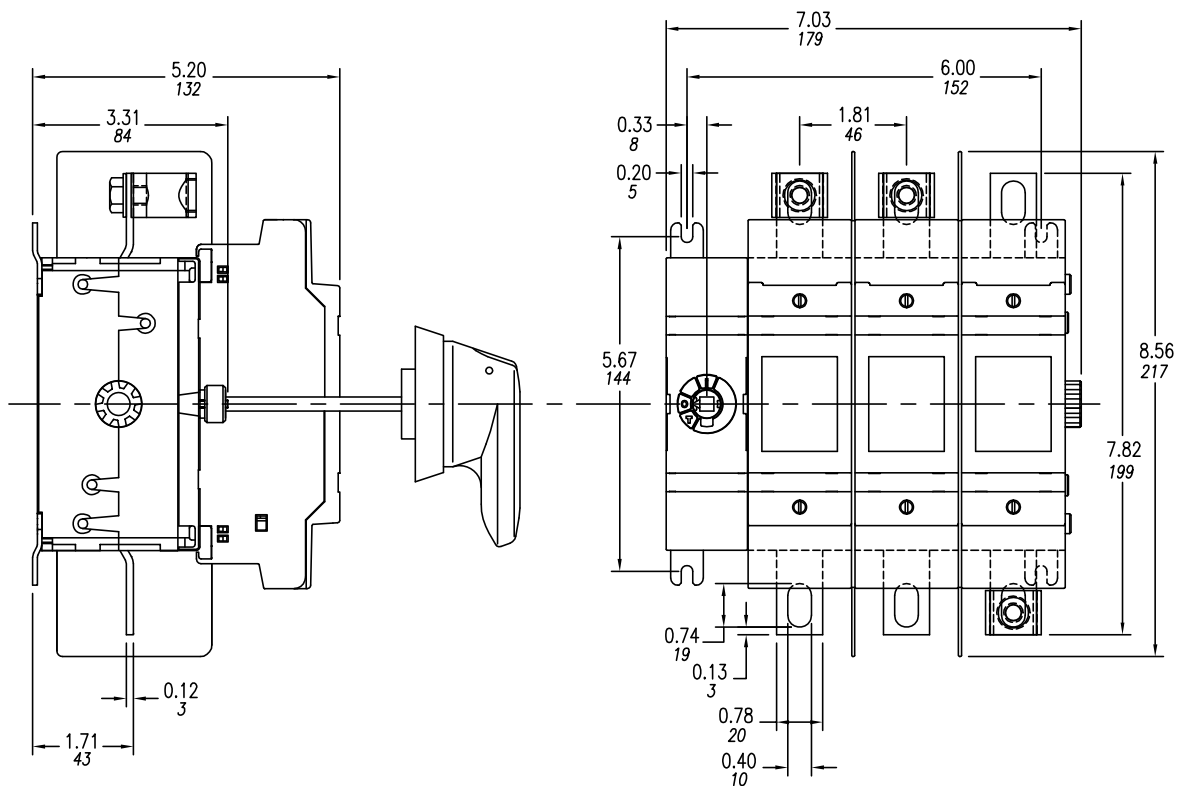
Disconnect
switches
Dimensions

00.00 Inches
00.00 [Millimeters]

OS100J03



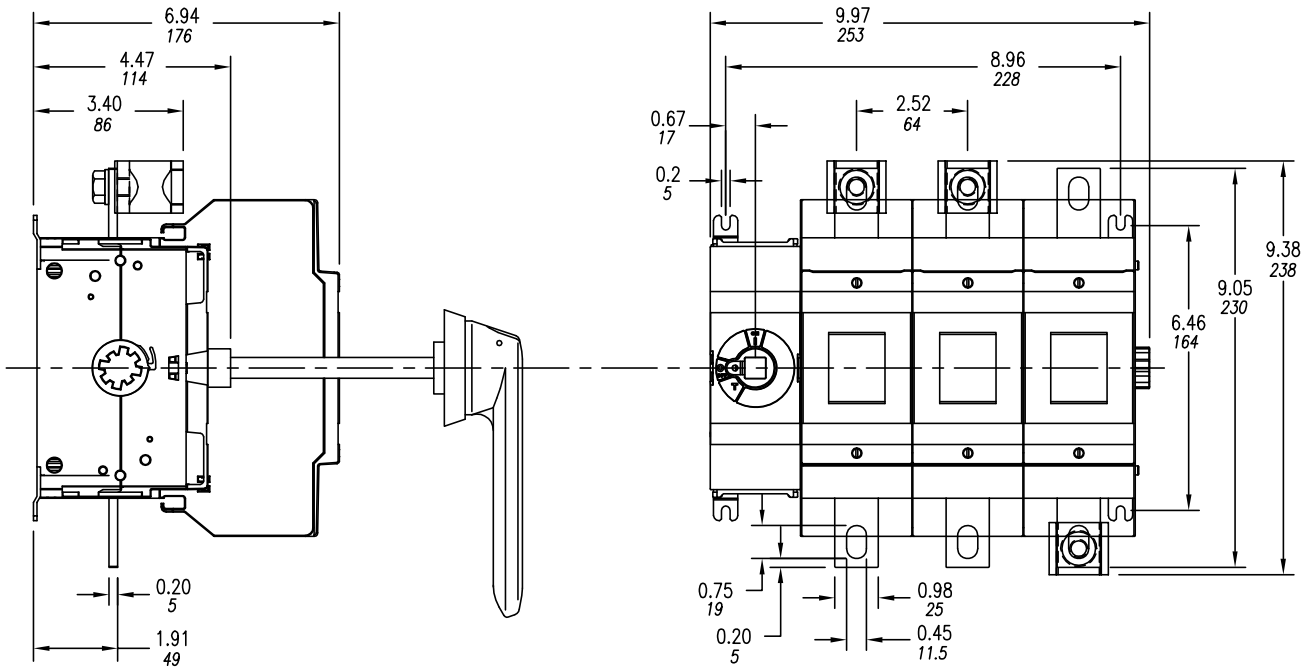
OS200J03



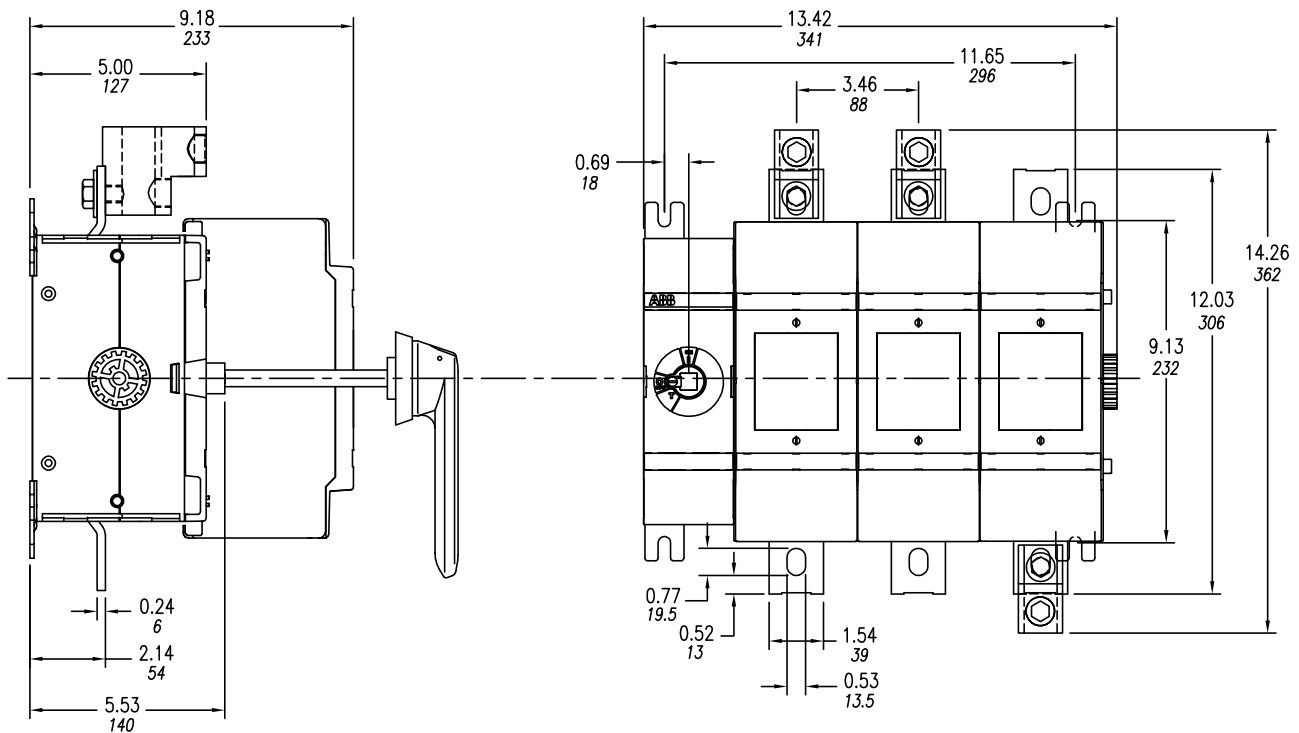
Approximate dimensions
OS400J03 – OS600J03

00.00 Inches
00.00 [Millimeters]

OS400J03



OS600J03



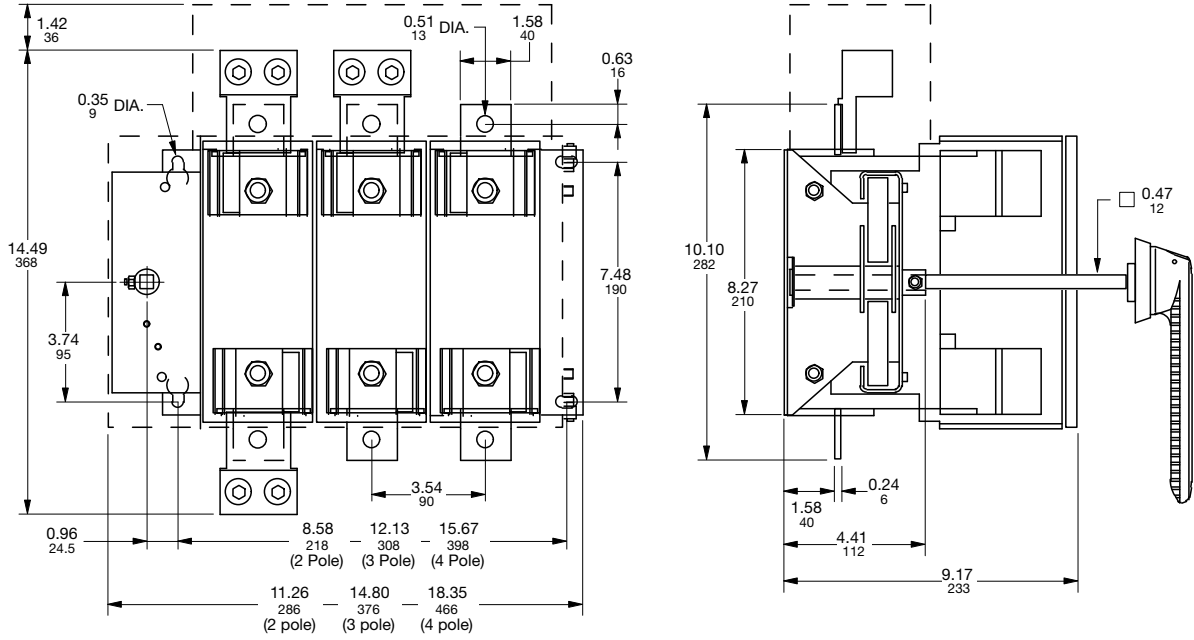
18

Approximate dimensions OES800L3

Disconnect
switches
Dimensions

00.00 Inches
00.00 [Millimeters]

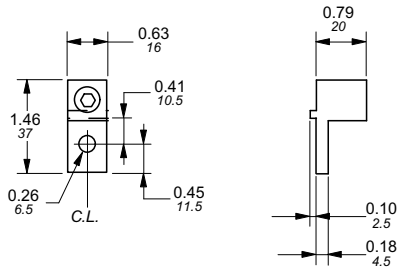
OES800L3



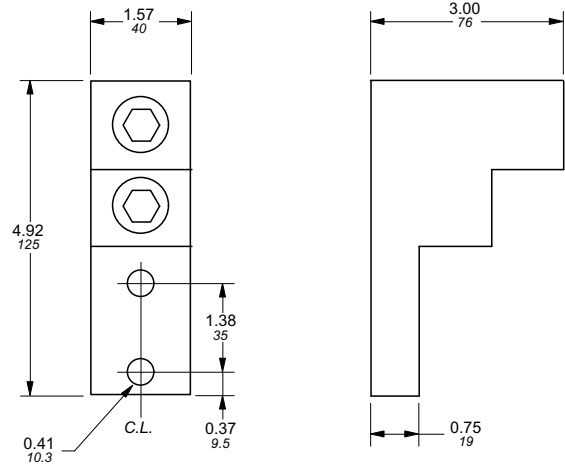
Approximate dimensions for Terminal lugs

00.00 Inches
00.00 [Millimeters]

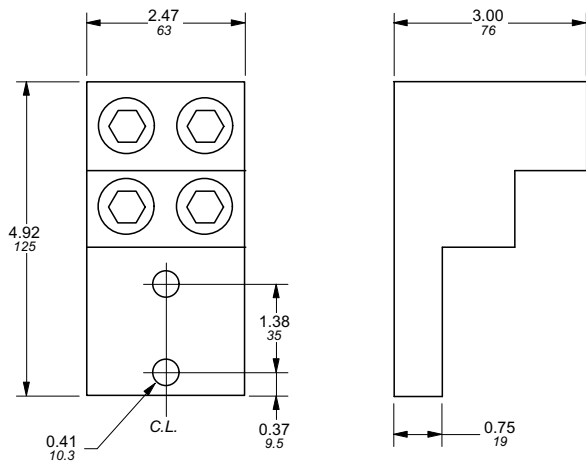
OZXA-24



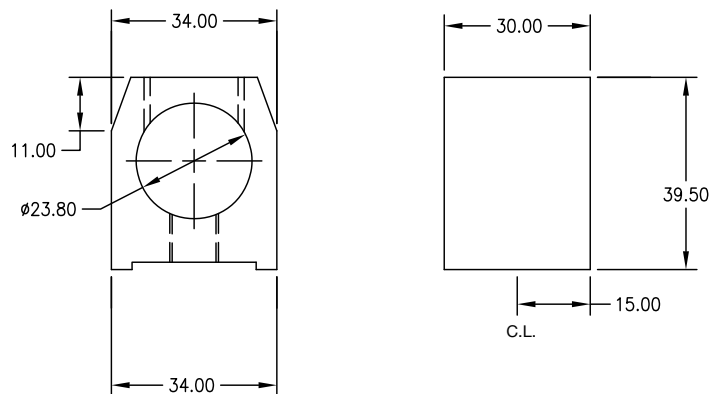
OZXA-30



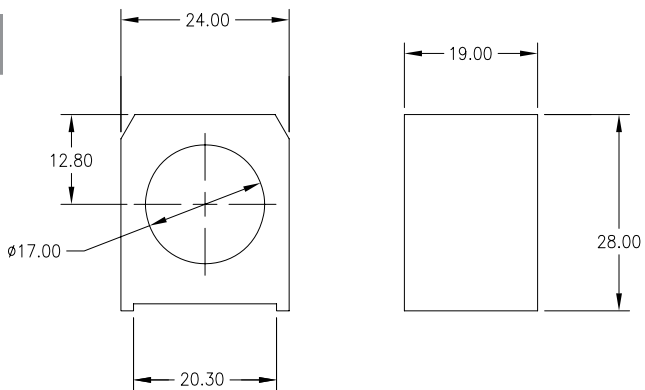
OZXA-28 & OZXA-28/2



OZXA-400



OZXA-200

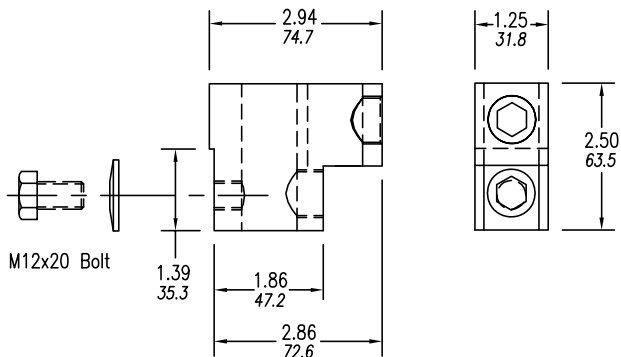


Approximate dimensions for Terminal lugs

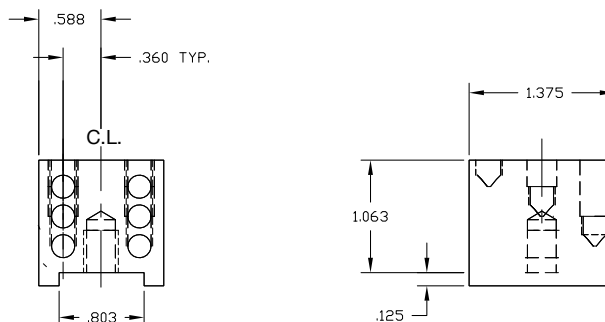
Disconnect
switches
Dimensions

00.00 Inches
00.00 [Millimeters]

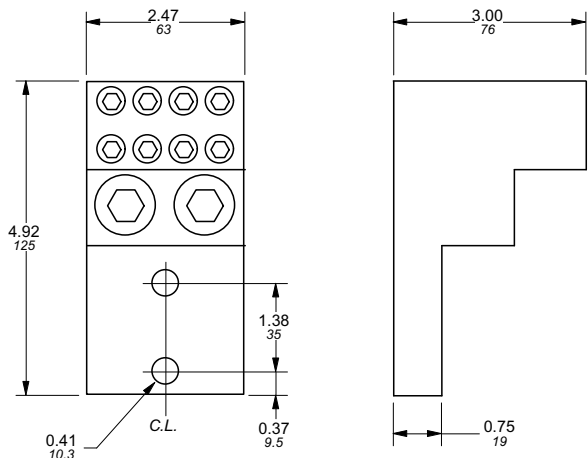
OZXA-800



OZXA-406



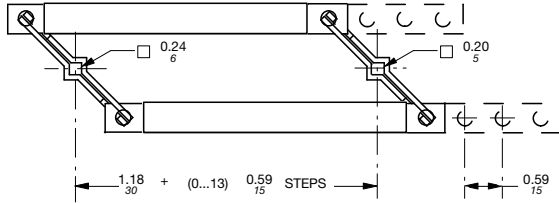
OZXA-32



Approximate dimensions for 16A – 100A conversion mechanisms

← 00.00 — Inches
00.00 — [Millimeters]

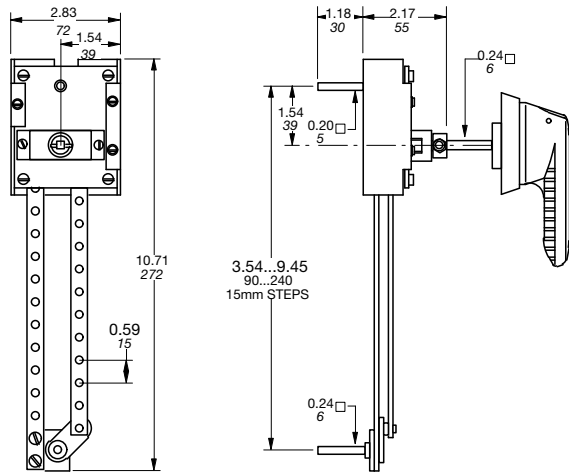
6 or 8 pole — OTZW8



For installation of 6 or 8 pole, transfer and bypass mechanisms, the following minimum and maximum mounting dimensions are given below.

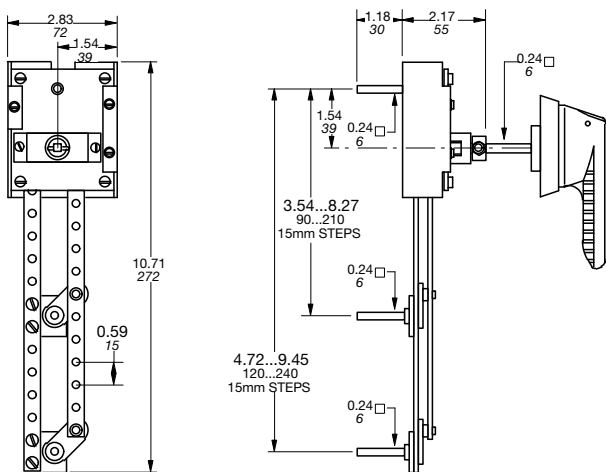
| OTZW8 in combination with: | Minimum inches/mm | Maximum inches/mm |
|-------------------------------|----------------------|----------------------|
| OT16F3, OT25F3, OT40F3 | 3.07/78 | N/A |
| OT63F3, OT80F3 | 3.74/95 | N/A |
| OT30F3, OT60F3, OT100F3 | 3.82/97 | N/A |

Double throw switch — OTZW6, OTZW6X



| OESA-ZW1, OESA-ZW1X in combination with: | Minimum inches/mm | Maximum ^① inches/mm |
|---|----------------------|-----------------------------------|
| OT16F3, OT25F3, OT40F3 | 4.61/117 | 6.57/167 |
| OT63F3, OT80F3 | 5.31/135 | 7.28/185 |
| OT30F3, OT60F3, OT100F3 | 4.84/123 | 6.81/173 |

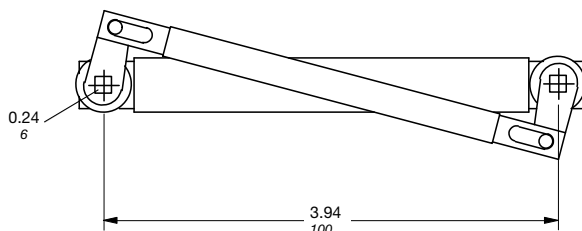
Bypass switch — OTZW17, OTZW17X



| OTZW17, OTZW17X in combination with: | Minimum inches/mm | Maximum ^① inches/mm |
|---|----------------------|-----------------------------------|
| OT16F3, OT25F3, OT40F3 | 4.61/117 | 6.57/167 |
| OT63F3, OT80F3 | 5.31/135 | 7.28/185 |
| OT30F3, OT60F3, OT100F3 | 4.84/123 | 6.81/173 |

18

Mechanical interlock — OETL-ZW24



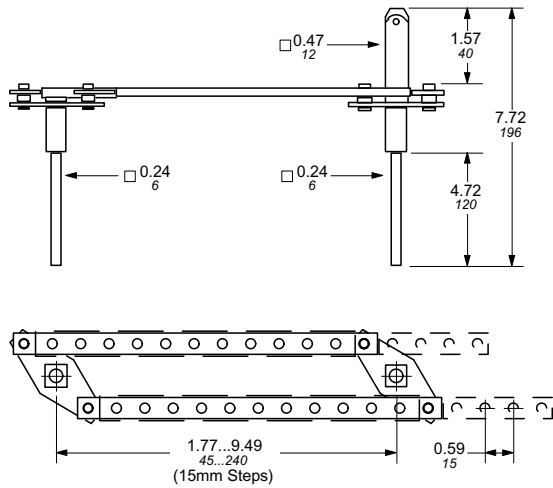
| OETL-ZW24 in combination with: | Minimum inches/mm | Maximum ^① inches/mm |
|-----------------------------------|----------------------|-----------------------------------|
| OT16F3, OT25F3, OT40F3 | 3.39 / 86 | — |
| OT63F3, OT80F3 | 4.09 / 104 | — |
| OT30F3, OT60F3, OT100F3 | 4.13 / 105 | — |

① Deeper enclosures will require a longer shaft. Please select a 6mm shaft from page 18.5.

Approximate dimensions for 125 – 200A conversion mechanisms

00.00 Inches
00.00 [Millimeters]

6 or 8 pole – OESA-ZW2

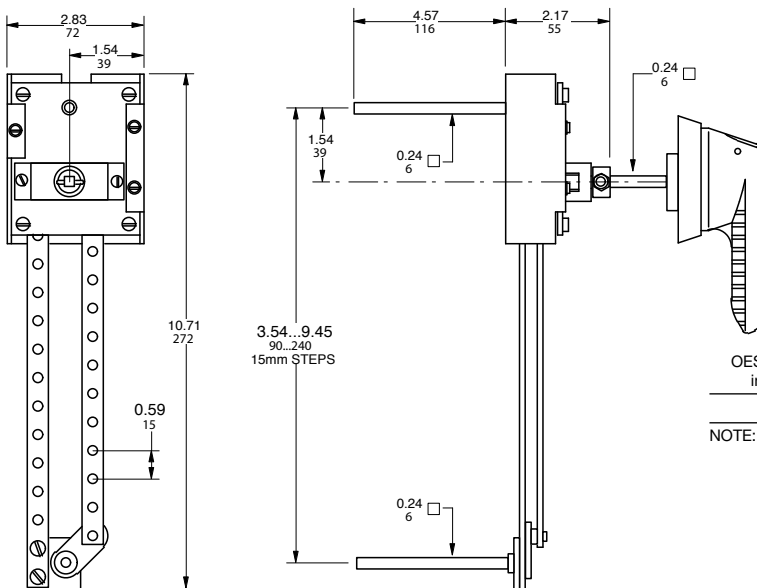


For installation of 6 or 8 pole, transfer and bypass mechanisms, the following minimum and maximum mounting dimensions are given below.

| OESA-ZW2 in combination with: | Minimum inches/mm | Maximum inches/mm |
|----------------------------------|----------------------|----------------------|
| OT160 - OT200 | 5.35/136 | 9.49/241 |

NOTE: Deeper enclosures will require a longer shaft. Please select a 12mm shaft from page 18.7 and an OETL-ZX95 shaft extension coupler from page 18.10.

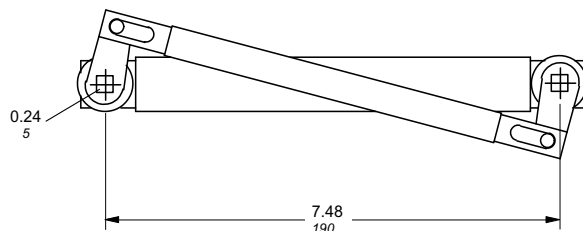
Double throw switch – OESA-ZW1, OESA-ZW1X



| OESA-ZW1, OESA-ZW1X in combination with: | Minimum inches/mm | Maximum inches/mm |
|---|----------------------|----------------------|
| OT160 - OT200 | 4.61/117 | 6.57/167 |

NOTE: Deeper enclosures will require a longer shaft. Please select a 6mm shaft from page 18.7

Mechanical interlock – OTZW10



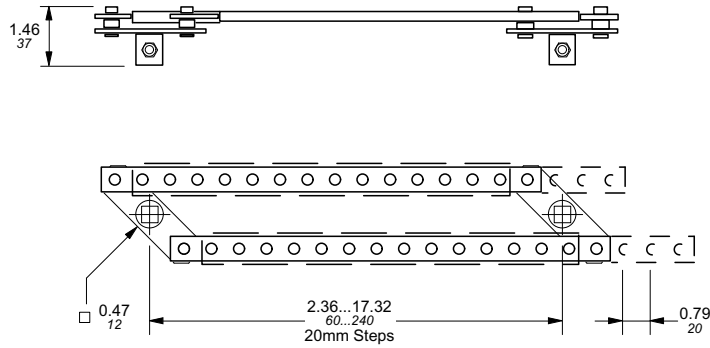
| OTZW10 in combination with: | Minimum inches/mm | Maximum inches/mm |
|--------------------------------|----------------------|----------------------|
| OT160 - OT200 | 4.13 / 105 | — |

NOTE: Deeper enclosures will require a longer shaft. Please select a 6mm shaft from page 18.7

Approximate dimensions for 400A – 1200A conversion mechanisms

← 00.00 → Inches
00.00 [Millimeters]

6 or 8 pole — OETL-ZW9

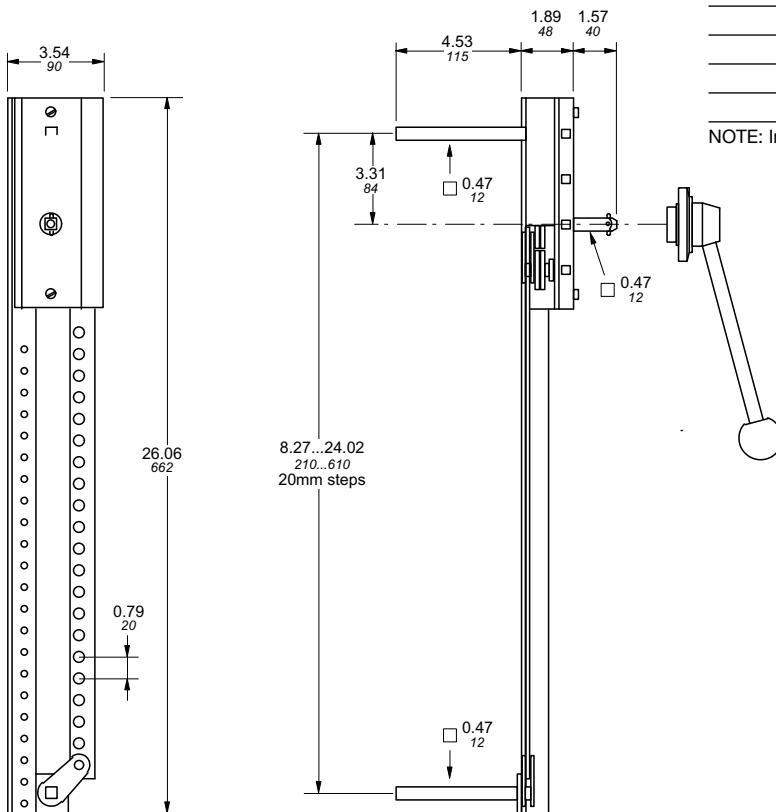


For installation of 6 or 8 pole, transfer and bypass mechanisms, the following minimum and maximum mounting dimensions are given below.

| OETL-ZW9 in combination with: | Minimum inches/mm | Maximum inches/mm |
|----------------------------------|----------------------|----------------------|
| OT400 | 7.52/191 | N/A |
| OT600 | 7.52/191 | N/A |
| OETL-NF800A | 7.52/191 | N/A |
| OETL-NF1200 | 7.52/191 | N/A |

NOTE: Handle not included

Double throw — OETL-ZW12



| OETL-ZW12 in combination with: | Minimum inches/mm | Maximum ^① inches/mm |
|-----------------------------------|----------------------|-----------------------------------|
| OT400 | 8.19/208 | 11.73/298 |
| OT600 | 8.19/208 | 11.73/298 |
| OETL-NF800A | 8.19/208 | 11.73/298 |
| OETL-NF1200 | 8.19/208 | 11.73/298 |

NOTE: Includes YASDA-21 handle

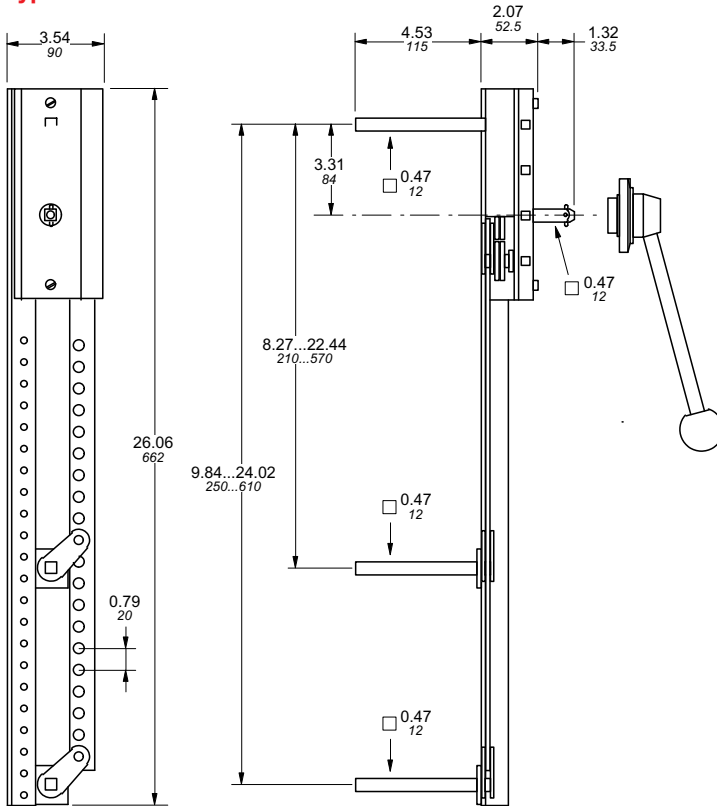
① Deeper enclosures will require a longer shaft. Please select a 12mm shaft from page 18.7 and an OETL-ZX95 shaft extension coupler from pg. 18.10.

Approximate dimensions for 400A – 3150A conversion mechanisms

Disconnect
switches
Dimensions

00.00 Inches
00.00 [Millimeters]

Bypass switch – OETL-ZW13

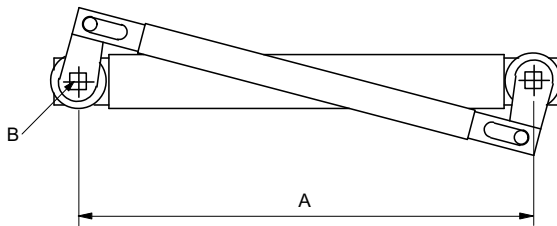


For installation of 6 or 8 pole, transfer and bypass mechanisms, the following minimum and maximum mounting dimensions are given below.

| OETL-ZW12 in combination with: | Minimum inches/mm | Maximum [Ⓞ] inches/mm |
|-----------------------------------|----------------------|-----------------------------------|
| OT400 | 8.19/208 | 11.73/298 |
| OT600 | 8.19/208 | 11.73/298 |
| OETL-NF800A | 8.19/208 | 11.73/298 |
| OETL-NF1200 | 8.19/208 | 11.73/298 |

NOTE: Includes YASDA-21 handle

Mechanical interlock – OETL-ZW3, OETL-ZW14, OETL-ZW15



Dimensions in Inches
& mm

| | A | B |
|-----------|----------------|--------------|
| OETL-ZW3 | 11.81 300.0 | 0.47 12.0 |
| OETL-ZW14 | 9.84 250.0 | 0.47 12.0 |
| OETL-ZW15 | 19.69 500.0 | 0.47 12.0 |

| OETL-ZW3, 14 & 15 in combination with: | Minimum inches/mm | Maximum [Ⓞ] inches/mm |
|---|----------------------|-----------------------------------|
| OT400 & OT600 | 6.50/165 | – |
| OETL-NF800 – OETL-NF1200 | 6.30/160 | – |
| OETL-NF1600 – OETL-NF3150 | 12.00/305 | – |

NOTE: Handle(s) not included.

NOTE: OETL-ZW15 is the only mechanical interlock
OETL-NF1200 – OETL-NF3150 can use.

Ⓞ Deeper enclosures will require a longer shaft. Please select a 12mm shaft from page 18.7 and an OETL-ZX95 shaft extension coupler from page 18.10.

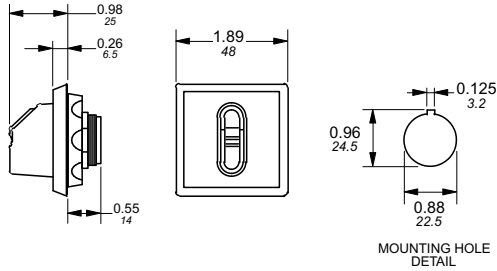
Approximate dimensions for Handles

← 00.00 Inches
00.00 → [Millimeters]

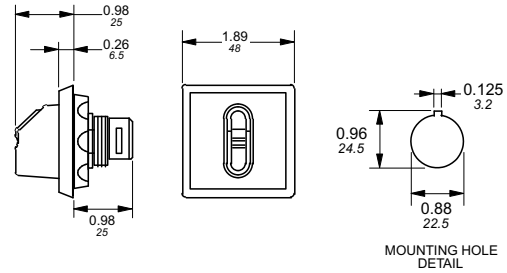
Selector handles for base and DIN rail mounted switches

Selector handles for door mounted switches

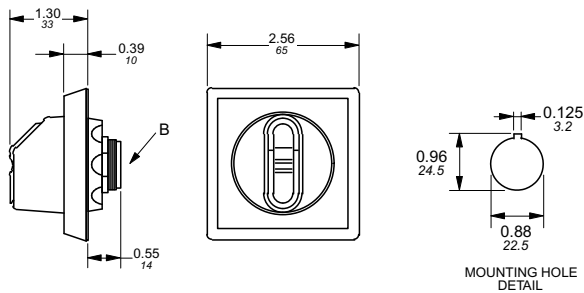
OH_S1AH1 & OH_S3AH1



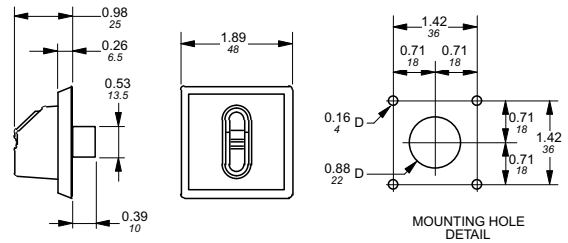
OH_S1P_ & OH_S3P_



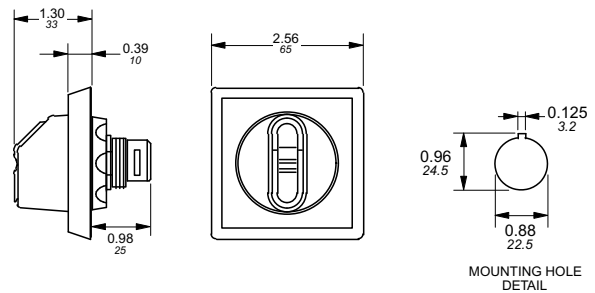
OH_S2A_



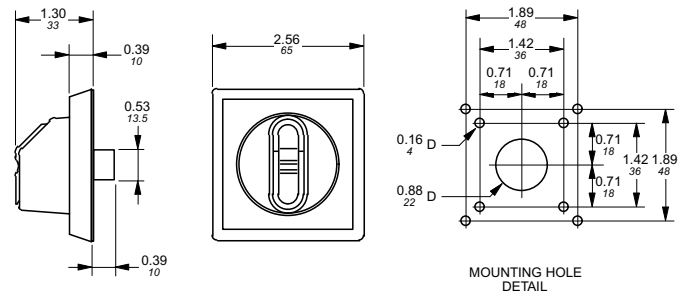
OH_S1R_ & OH_S3R_



OH_S2P_



OH_S2R_

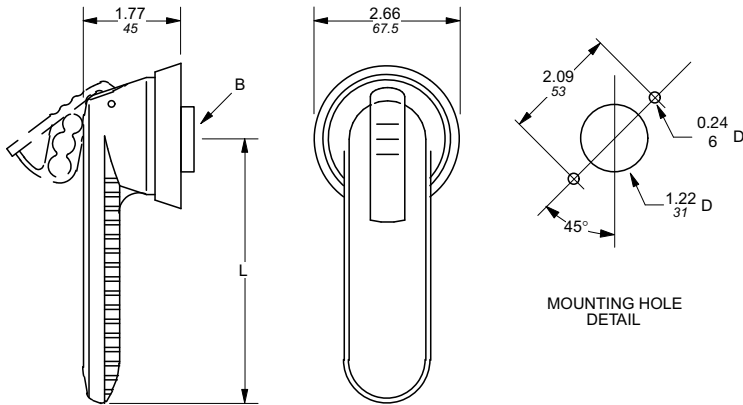


Approximate dimensions for Handles

Disconnect
switches
Dimensions

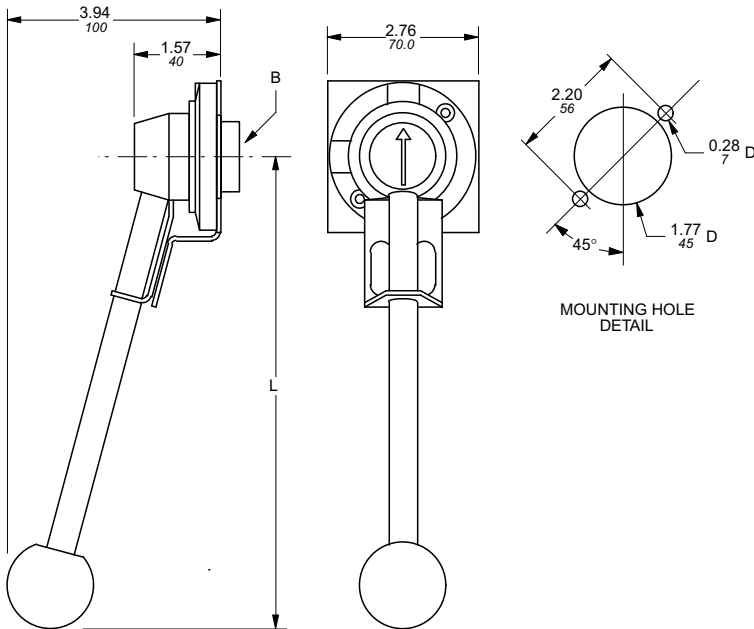
00.00 Inches
00.00 [Millimeters]

Pistol handles

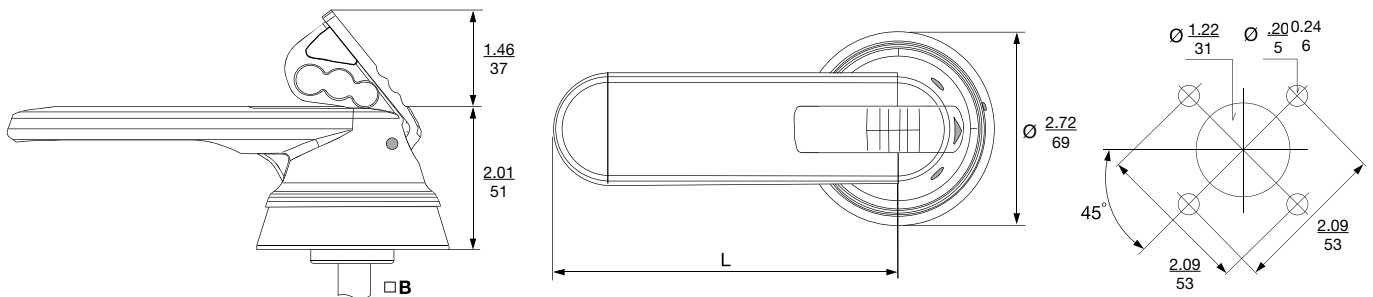


| A Catalog number | L Inches/ mm | □B Shaft size Inches/ mm | NEMA / UL Type |
|---------------------|-----------------|--------------------------------|------------------|
| OH_45J6 | 1.8/45 | 0.24/6 | 1, 3R, 12 |
| OH_65J6 | 2.6/65 | 0.24/6 | 1, 3R, 12 |
| OH_80J6 | 3.1/80 | 0.24/6 | 1, 3R, 12 |
| OH_125J12 | 4.9/125 | 0.47/12 | 1, 3R, 12 |
| OH_145J12 | 5.7/145 | 0.47/12 | 1, 3R, 12 |
| OH_175J12 | 6.9/175 | 0.47/12 | 1, 3R, 12 |
| OH_80L6 | 3.1/80 | 0.24/6 | 1, 3R, 4, 4X, 12 |
| OH_145L12 | 5.7/145 | 0.47/12 | 1, 3R, 4, 4X, 12 |
| OH_175L12 | 6.9/175 | 0.47/12 | 1, 3R, 4, 4X, 12 |

□ = Handle color, B (Black) or Y (Red/Yellow)



| A catalog number | L inches/mm | □B Shaft size inches/mm | NEMA Type |
|---------------------|----------------|-------------------------------|------------------|
| YASDA-7 | 8.66/220 | 0.47/12 | 1, 3R, 4, 4X, 12 |
| YASDA-8 | 8.66/220 | 0.47/12 | 1, 3R, 4, 4X, 12 |
| YASDA-21 | 8.66/220 | 0.47/12 | 1, 3R, 4, 4X, 12 |
| YASDA-6 | 12.60/320 | 0.47/12 | 1, 3R, 4, 4X, 12 |



| Handle type | OHM65L6 | OHM125L12 | OHM175L12 | OHM275L12 |
|-------------|---------|-----------|-----------|-----------|
| L | 2.6/65 | 4.9/125 | 6.9/175 | 10.8/225 |
| □B | .24/6 | .47/12 | .47/12 | .47/12 |

Approximate dimensions 2, 3 & 4 Pole ② 30A – 800A Fusible

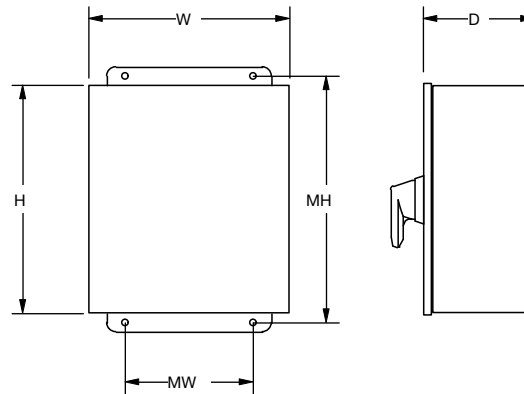
← 00.00 Inches
00.00 [Millimeters] →

Fusible

| Frame size | Enclosure type | H height | W width | D depth | MH mtg. height | MW mtg. width | Weight |
|------------|----------------|----------|---------|---------|----------------|---------------|--------|
| OS30_ | 1 | 10.0 | 8.0 | 5.0 | 7.0 | 7.0 | 12 |
| | 3R | 10.0 | 8.0 | 5.0 | 10.75 | 6.0 | 12 |
| | 4 | 10.0 | 8.0 | 6.0 | 10.75 | 6.0 | 12 |
| | 4X SS | 10.0 | 8.0 | 5.0 | 10.75 | 6.0 | 12 |
| | 4X Plastic | 10.0 | 8.0 | 5.9 | 10.75 | 6.0 | 8.0 |
| | 12 | 10.0 | 8.0 | 5.0 | 10.75 | 6.0 | 12 |
| OS60_ | 1 | 10.0 | 8.0 | 6.0 | 7.0 | 7.0 | 13 |
| | 3R | 10.0 | 8.0 | 6.0 | 10.75 | 6.0 | 13 |
| | 4 | 10.0 | 8.0 | 6.0 | 10.75 | 6.0 | 13 |
| | 4X SS | 10.0 | 8.0 | 6.0 | 10.75 | 6.0 | 13 |
| | 4X Plastic | 10.0 | 8.0 | 5.9 | 10.75 | 6.0 | 9.0 |
| | 12 | 10.0 | 8.0 | 6.0 | 10.75 | 6.0 | 13 |
| OS100_ | 1 | 14.0 | 12.0 | 8.0 | 11.0 | 9.0 | 22 |
| | 3R | 14.0 | 12.0 | 8.0 | 14.75 | 10.0 | 22 |
| | 4 | 14.0 | 12.0 | 8.0 | 14.75 | 10.0 | 22 |
| | 4X SS | 14.0 | 12.0 | 8.0 | 14.75 | 10.0 | 22 |
| | 4X Plastic | 14.0 | 12.0 | 8.0 | 14.75 | 10.0 | 16 |
| | 12 | 14.0 | 12.0 | 8.0 | 14.75 | 10.0 | 22 |
| OS200_ | 1 | 24.0 | 16.0 | 8.0 | 25.5 | 14.5 | 75 |
| | 3R | 24.0 | 16.0 | 8.0 | 25.5 | 14.5 | 75 |
| | 4 | 24.0 | 16.0 | 8.0 | 25.5 | 14.5 | 75 |
| | 4X SS | 24.0 | 16.0 | 8.0 | 25.5 | 14.5 | 75 |
| | 4X Plastic | ① | ① | ① | ① | ① | ① |
| | 12 | 24.0 | 16.0 | 8.0 | 25.5 | 14.5 | 75 |

| Frame size | Enclosure type | H height | W width | D depth | mtg. height | MW mtg. width | Weight |
|------------|----------------|----------|---------|---------|-------------|---------------|--------|
| OS400_ | 1 | 36.0 | 24.0 | 12.0 | 37.5 | 22.5 | 150 |
| | 3R | 36.0 | 24.0 | 12.0 | 37.5 | 22.5 | 150 |
| | 4 | 36.0 | 24.0 | 12.0 | 37.5 | 22.5 | 150 |
| | 4X SS | 36.0 | 24.0 | 12.0 | 37.5 | 22.5 | 150 |
| | 4X Plastic | ① | ① | ① | ① | ① | ① |
| | 12 | 36.0 | 24.0 | 12.0 | 37.5 | 22.5 | 150 |
| OS600_ | 1 | 42.0 | 36.0 | 12.0 | 43.5 | 34.5 | 150 |
| | 3R | 42.0 | 36.0 | 12.0 | 43.5 | 34.5 | 150 |
| | 4 | 42.0 | 36.0 | 12.0 | 43.5 | 34.5 | 150 |
| | 4X SS | 42.0 | 36.0 | 12.0 | 43.5 | 34.5 | 150 |
| | 4X Plastic | ① | ① | ① | ① | ① | ① |
| | 12 | 42.0 | 36.0 | 12.0 | 43.5 | 34.5 | 150 |
| OES800_ | 1 | 48.0 | 24.0 | 12.0 | 49.5 | 22.5 | 170 |
| | 3R | 48.0 | 24.0 | 12.0 | 49.5 | 22.5 | 170 |
| | 4 | 48.0 | 24.0 | 12.0 | 49.5 | 22.5 | 170 |
| | 4X SS | 48.0 | 24.0 | 12.0 | 49.5 | 22.5 | 170 |
| | 4X Plastic | ① | ① | ① | ① | ① | ① |
| | 12 | 48.0 | 24.0 | 12.0 | 49.5 | 22.5 | 170 |

① Please consult factory, enclosures are sized to suit specific customer needs.
② Some 4-pole switches require larger enclosures. Please consult factory.



Approximate dimensions 2, 3 & 4 Pole ③ 16A – 3150A, Non-fusible

Disconnect
switches
Dimensions

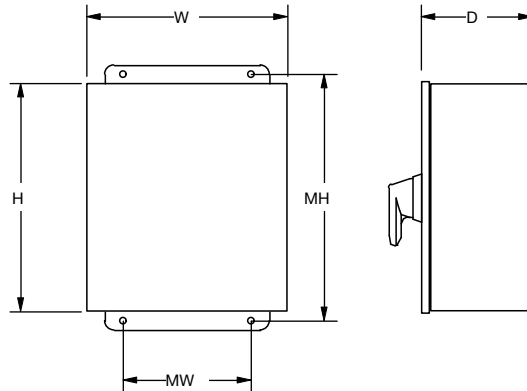
00.00 ———> Inches
00.00 [Millimeters]

Non-Fusible

| Frame size | Enclosure type | H height | W width | D depth | MH mtg. height | MW mtg. width | Weight |
|----------------------------------|----------------|----------|---------|---------|----------------|---------------|--------|
| OT16_ OT25_ OT40_ | 1 | 7.0 | 5.0 | 3.0 | 4.0 | 4.0 | 4.0 |
| | 3R | 7.0 | 5.0 | 3.0 | 7.75 | 3.0 | 4.0 |
| | 4 | 6.0 | 6.0 | 4.0 | 6.75 | 4.0 | 4.0 |
| | 4X SS | 7.0 | 5.0 | 3.0 | 7.75 | 3.0 | 4.0 |
| | 4X Plastic | 6.0 | 6.0 | 5.9 | 6.75 | 4.0 | 4.0 |
| | 12 | 7.0 | 5.0 | 3.0 | 7.75 | 3.0 | 4.0 |
| | IP65 (A) | 4.8 | 3.4 | 2.4 | 4.17 | 2.80 | 1.0 |
| IP65 (B) | 5.9 | 5.1 | 2.4 | 5.35 | 4.57 | 1.0 | |
| OT30_ OT60_ OT63_ OT80_ | 1 | 8.0 | 6.0 | 4.0 | 7.0 | 5.0 | 6.0 |
| | 3R | 8.0 | 6.0 | 4.0 | 8.75 | 4.0 | 6.0 |
| | 4 | 8.0 | 6.0 | 4.0 | 8.75 | 4.0 | 6.0 |
| | 4X SS | 8.0 | 6.0 | 4.0 | 8.75 | 4.0 | 6.0 |
| | 4X Plastic | 8.0 | 6.0 | 5.9 | 8.75 | 4.0 | 6.0 |
| | 12 | 8.0 | 6.0 | 4.0 | 8.75 | 4.0 | 6.0 |
| | IP65 (A) | 7.9 | 5.7 | 3.6 | 7.24 | 5.16 | 4.0 |
| IP65 (B) | 15.8 | 7.9 | 5.5 | 14.8 | 6.93 | 4.0 | |
| OT100 | 1 | 10.0 | 8.0 | 5.0 | 7.0 | 7.0 | 9.0 |
| | 3R | 10.0 | 8.0 | 5.0 | 10.75 | 6.0 | 9.0 |
| | 4 | 10.0 | 8.0 | 4.0 | 10.75 | 6.0 | 9.0 |
| | 4X SS | 10.0 | 8.0 | 5.0 | 10.75 | 6.0 | 9.0 |
| | 4X Plastic | 10.0 | 8.0 | 5.9 | 10.75 | 6.0 | 9.0 |
| | 12 | 10.0 | 8.0 | 5.0 | 10.75 | 6.0 | 9.0 |
| | IP65 (A) | 7.9 | 5.7 | 3.6 | 7.24 | 5.16 | 4.0 |
| IP65 (B) | 15.8 | 7.9 | 5.5 | 14.8 | 6.93 | 4.0 | |
| OT160 | 1 | 14.0 | 12.0 | 8.0 | 11.0 | 9.0 | 20 |
| | 3R | 14.0 | 12.0 | 8.0 | 14.75 | 10.0 | 20 |
| | 4 | 14.0 | 12.0 | 6.0 | 14.75 | 10.0 | 20 |
| | 4X SS | 14.0 | 12.0 | 8.0 | 14.75 | 10.0 | 20 |
| | 4X Plastic | 14.0 | 12.0 | 6.0 | 14.75 | 10.0 | 12 |
| | 12 | 14.0 | 12.0 | 8.0 | 14.75 | 10.0 | 20 |

| Frame size | Enclosure type | H height | W width | D depth | mtg. height | MW mtg. width | Weight |
|---|----------------|----------|---------|---------|-------------|---------------|--------|
| OT200 | 1 | 20.0 | 16.0 | 6.0 | 25.5 | 14.5 | 50 |
| | 3R | 20.0 | 16.0 | 6.0 | 25.5 | 14.5 | 50 |
| | 4 | 20.0 | 16.0 | 6.0 | 25.5 | 14.5 | 50 |
| | 4X SS | 20.0 | 16.0 | 6.0 | 25.5 | 14.5 | 50 |
| | 4X Plastic | 20.0 | 16.0 | 8.0 | 25.5 | 14.5 | 40 |
| | 12 | 20.0 | 16.0 | 6.0 | 25.5 | 14.5 | 50 |
| OT400 | 1 | 36.0 | 24.0 | 8.0 | 37.5 | 22.5 | 120 |
| | 3R | 36.0 | 24.0 | 8.0 | 37.5 | 22.5 | 120 |
| | 4 | ① | ① | ① | ① | ① | ① |
| | 4X SS | 36.0 | 24.0 | 8.0 | 37.5 | 22.5 | 130 |
| | 4X Plastic | ① | ① | ① | ① | ① | ① |
| | 12 | 36.0 | 24.0 | 8.0 | 37.5 | 22.5 | 120 |
| OT600 | 1 | 36.0 | 24.0 | 12.0 | 37.5 | 22.5 | 120 |
| | 3R | 36.0 | 24.0 | 12.0 | 37.5 | 22.5 | 120 |
| | 4 | 36.0 | 24.0 | 12.0 | 37.5 | 22.5 | 120 |
| | 4X SS | 36.0 | 24.0 | 12.0 | 37.5 | 22.5 | 120 |
| | 4X Plastic | 40.0 | 32.0 | 12.0 | 41.2 | 30.2 | 120 |
| | 12 | 36.0 | 24.0 | 12.0 | 37.5 | 22.5 | 120 |
| OETL-NF800A OETL-NF1200 | 1 | 60.0 | 36.0 | 12.0 | 61.5 | 34.5 | 200 |
| | 3R | 60.0 | 36.0 | 12.0 | 61.5 | 34.5 | 200 |
| | 4 | 60.0 | 36.0 | 12.0 | 61.5 | 34.5 | 200 |
| | 4X SS | 60.0 | 36.0 | 12.0 | 61.5 | 34.5 | 200 |
| | 4X Plastic | ① | ① | ① | ① | ① | ① |
| | 12 | 60.0 | 36.0 | 12.0 | 61.5 | 34.5 | 200 |
| OETL-NF1600 OETL-NF2000 OETL-NF3150 | 1 | 90.0 | 36.0 | 24.0 | ② | ② | 600 |
| | 3R | 90.0 | 36.0 | 24.0 | ② | ② | 600 |
| | 4 | ① | ① | ① | ① | ① | ① |
| | 4X SS | ① | ① | ① | ① | ① | ① |
| | 4X Plastic | ① | ① | ① | ① | ① | ① |
| | 12 | 90.0 | 36.0 | 24.0 | ② | ② | 600 |

- ① Please consult factory, enclosures are sized to suit specific customer needs.
- ② Enclosure is free standing.
- ③ Some 4-pole switches require larger enclosures. Please consult factory.



600V, 16A - 3150A
2, 3 and 4-pole switches
Enclosure dimensions

