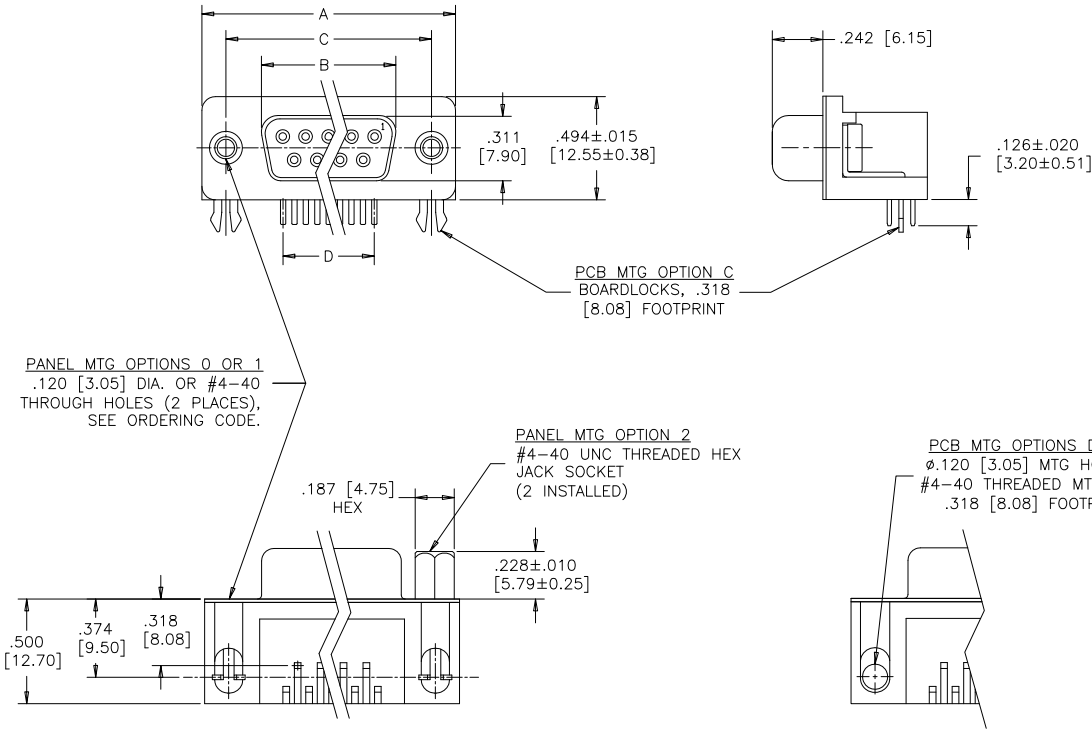


.318 [8.08] FOOTPRINT
(STANDARD PCB LAYOUT)

REVISIONS			
REV	ECN, ERN NO.	DATE	APPRD.
B	PRODUCT DRAWING (EAR 12937)	APR28/06	K.L.
C	PRODUCT DRAWING (EAR 14576)	JULY18/17	K.L.



DIMENSIONS

SIZE	A±.015 [0.38]	B±.005 [0.13]	C±.005 [0.13]	D BSC.
009	1.213 [30.81]	.643 [16.33]	.984 [24.99]	.432 [10.97]
015	1.541 [39.14]	.971 [24.66]	1.312 [33.32]	.756 [19.20]
025	2.088 [53.04]	1.511 [38.38]	1.852 [47.04]	1.304 [33.12]
037	2.729 [69.32]	2.159 [54.84]	2.500 [63.50]	1.956 [49.68]



ORDERING CODE:

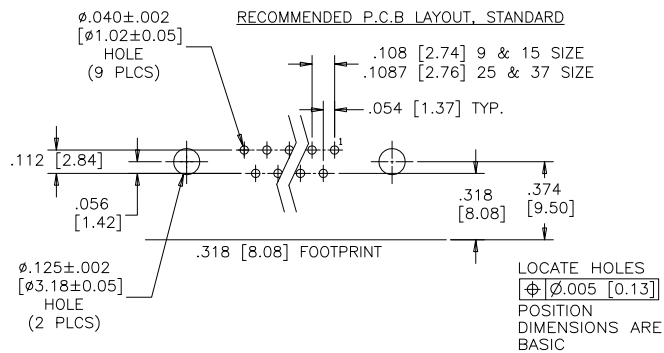
PART NUMBER: 6 E 1 7 X - X X X S X X - X 2 0 X
SERIES: _____
PCB MTG OPTIONS: _____
NUMBER OF CONTACTS: _____
STYLE: _____

PCB LAYOUT CODE
 NO DIGIT=STANDARD
 .374 [9.50] DIM'N FOR .318 [8.08] F/P
 .315 [8.00] DIM'N FOR .590 [14.99] F/P
 E=.646 [16.41] DIM'N FOR .590 [14.99] F/P

SHELL CHARACTERISTICS
 20=TIN PLATED RECEPTACLE SHELL

PANEL MOUNTING OPTIONS
 0=ø.120" [3.05] THROUGH HOLE
 1=#4-40 THREADED HOLE
 2=MOUNTING OPTION 1 WITH #4-40 UNC HEX JACK SOCKETS INSTALLED

CONTACT PLATING OPTIONS
 BF=ENGAGEMENT AREA 3µ" [0.08 MICRONS] GOLD FLASH
 CF=ENGAGEMENT AREA 15µ" [0.38 MICRONS] GOLD
 AJ=ENGAGEMENT AREA 30µ" [0.76 MICRONS] GOLD

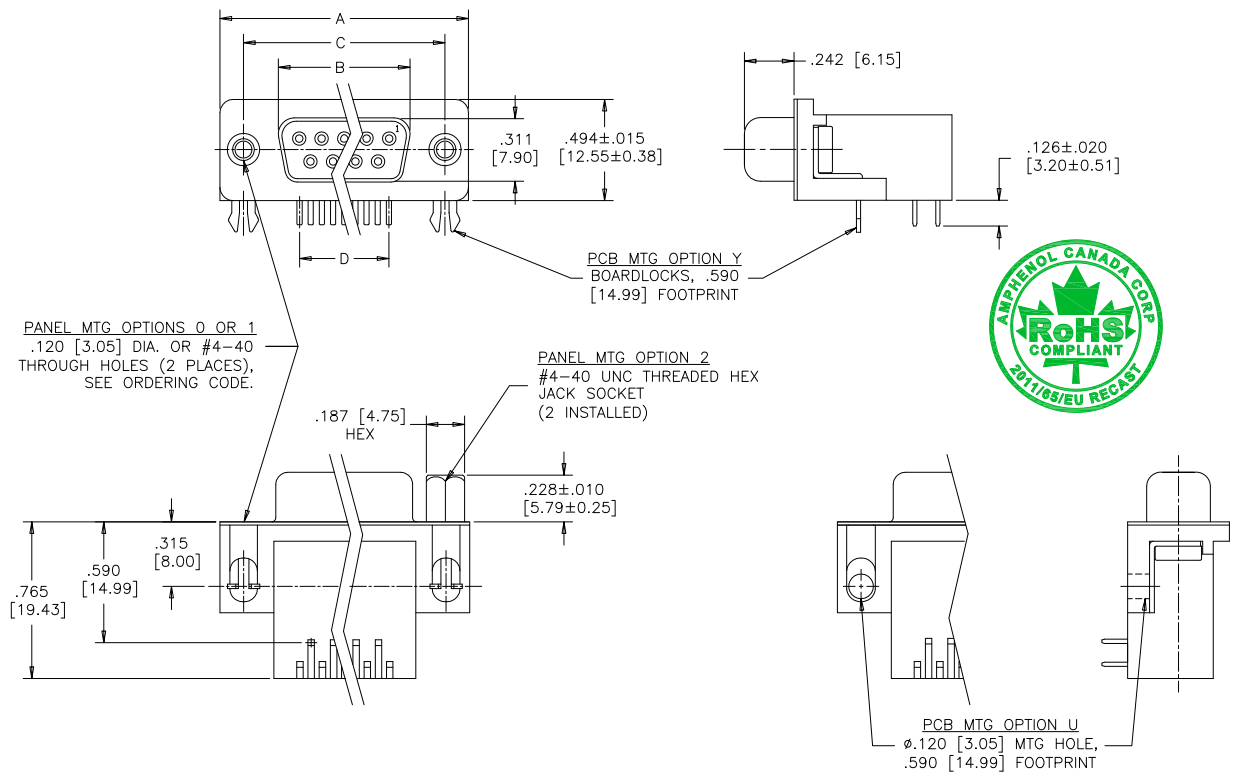


SEE SHEET 2 FOR NOTES & SPECIFICATIONS

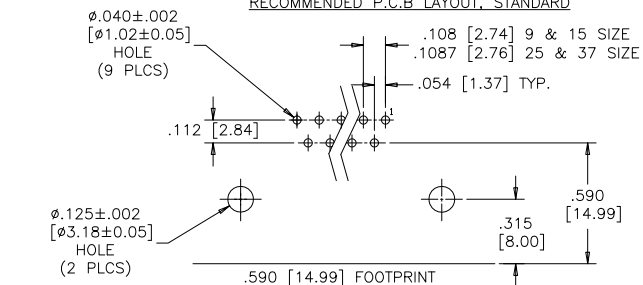
DRAWN	A.CHENG	DATE	APR13/06	Amphenol Canada Corp.		
DESIGNED						
CHECKED	K.LAMBIE	DATE	APR13/06			
I. E. APPRD.						
Q. A. APPRD.				TITLE		
DWG. APPRD.				6E17 SERIES D-SUB CONNECTOR, 9 TO 37 SIZE SOCKET, RIGHT ANGLE WITH F/P, MTG AND PLATING OPTIONS, RoHS COMPLIANT		
ENG. REL. NO.		DWG	DRAWING NO.	REV.		
REF.	EAR 12937	C	P-6E17X-XXXSXX-X20X	C		
DIMENSIONS ARE IN	CODE ID. NO.	SCALE	WT.	SURF.	SHEET 1 OF 2	
INCHES	03554	2/1				

THIS DOCUMENT CONTAINS PROPRIETARY INFORMATION AND SUCH INFORMATION MAY NOT BE DISCLOSED TO OTHERS FOR ANY PURPOSE OR USED FOR MANUFACTURING PURPOSES WITHOUT WRITTEN PERMISSION FROM AMPHENOL CANADA CORP.

.590 [14.99] FOOTPRINT
(STANDARD PCB LAYOUT)



RECOMMENDED P.C.B LAYOUT, STANDARD



DIMENSIONS

SIZE	A±.015 [0.38]	B±.005 [0.13]	C±.005 [0.13]	D BSC.
009	1.213 [30.81]	.643 [16.33]	.984 [24.99]	.432 [10.97]
015	1.541 [39.14]	.971 [24.66]	1.312 [33.32]	.756 [19.20]
025	2.088 [53.04]	1.511 [38.38]	1.852 [47.04]	1.304 [33.12]
037	2.729 [69.32]	2.159 [54.84]	2.500 [63.50]	1.956 [49.68]

SPECIFICATIONS:

MATERIALS: ALL MATERIALS ARE RoHS COMPLIANT

SHELL: STEEL, TIN PLATED

INSERTS: HIGH TEMPERATURE RESISTANT NYLON, GLASS REINFORCED, UL FLAMMABILITY RATING 94V-0, COLOUR: BLACK

CONTACTS: COPPER ALLOY, GOLD PLATING (SEE ORDERING CODE) OVER 50µ" [1.27 MICRONS] NICKEL ON ENGAGEMENT AREA WITH 100µ" [2.54 MICRONS] MIN. MATTE TIN ON CONTACT TERMINALS.

BOARDLOCK: COPPER ALLOY, TIN PLATED

ELECTRICAL DATA:

CURRENT RATING: 5 AMP

CONTACT RESISTANCE: 15 MILLIOHMS MAX.

INSULATION RESISTANCE: 3000 MEGOHMS MIN.

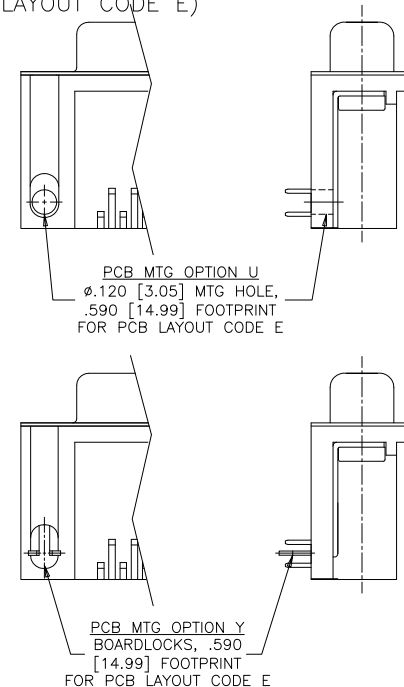
DIELECTRIC WITHSTANDING VOLTAGE: 1000 VAC rms

OPERATING TEMPERATURE: -55°C TO +105°C

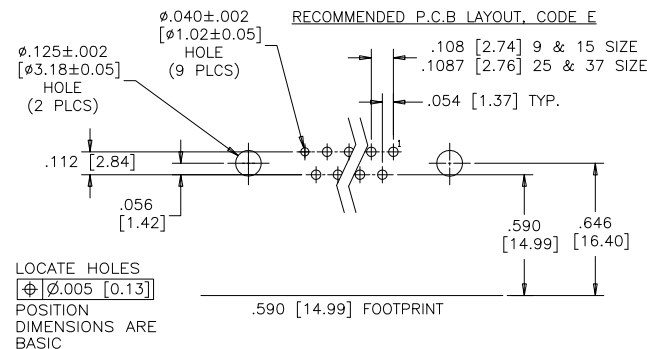
THIS DOCUMENT CONTAINS PROPRIETARY INFORMATION AND SUCH INFORMATION MAY NOT BE DISCLOSED TO OTHERS FOR ANY PURPOSE OR USED FOR MANUFACTURING PURPOSES WITHOUT WRITTEN PERMISSION FROM AMPHENOL CANADA CORP.

REVISIONS			
REV	ECN, ERN NO.	DATE	APPRD.
B	PRODUCT DRAWING (EAR 12937)	APR28/06	K.L.
C	PRODUCT DRAWING (EAR 14576)	JULY18/17	K.L.

.590 [14.99] FOOTPRINT
(PCB LAYOUT CODE E)



RECOMMENDED P.C.B LAYOUT, CODE E



SEE SHEET 1 FOR ORDERING CODE

DRAWN	A.CHENG	DATE	APR13/06	Amphenol Canada Corp.
DESIGNED				
CHECKED	K.LAMBIE	DATE	APR13/06	TITLE
I. E. APPRD.				6E17 SERIES D-SUB CONNECTOR, 9 TO 37 SIZE SOCKET, RIGHT ANGLE WITH F/P, MTG AND PLATING OPTIONS, RoHS COMPLIANT
Q. A. APPRD.				
DWG. APPRD.				
ENG. REL. NO.		DWG	DRAWING NO.	REV.
REF.	EAR 12937	C	P-6E17X-XXXSXX-X20X	C
DIMENSIONS ARE IN INCHES		CODE ID. NO.	03554	SCALE
				2/1
				WT. -----
				SURF. -----
				SHEET 2 OF 2