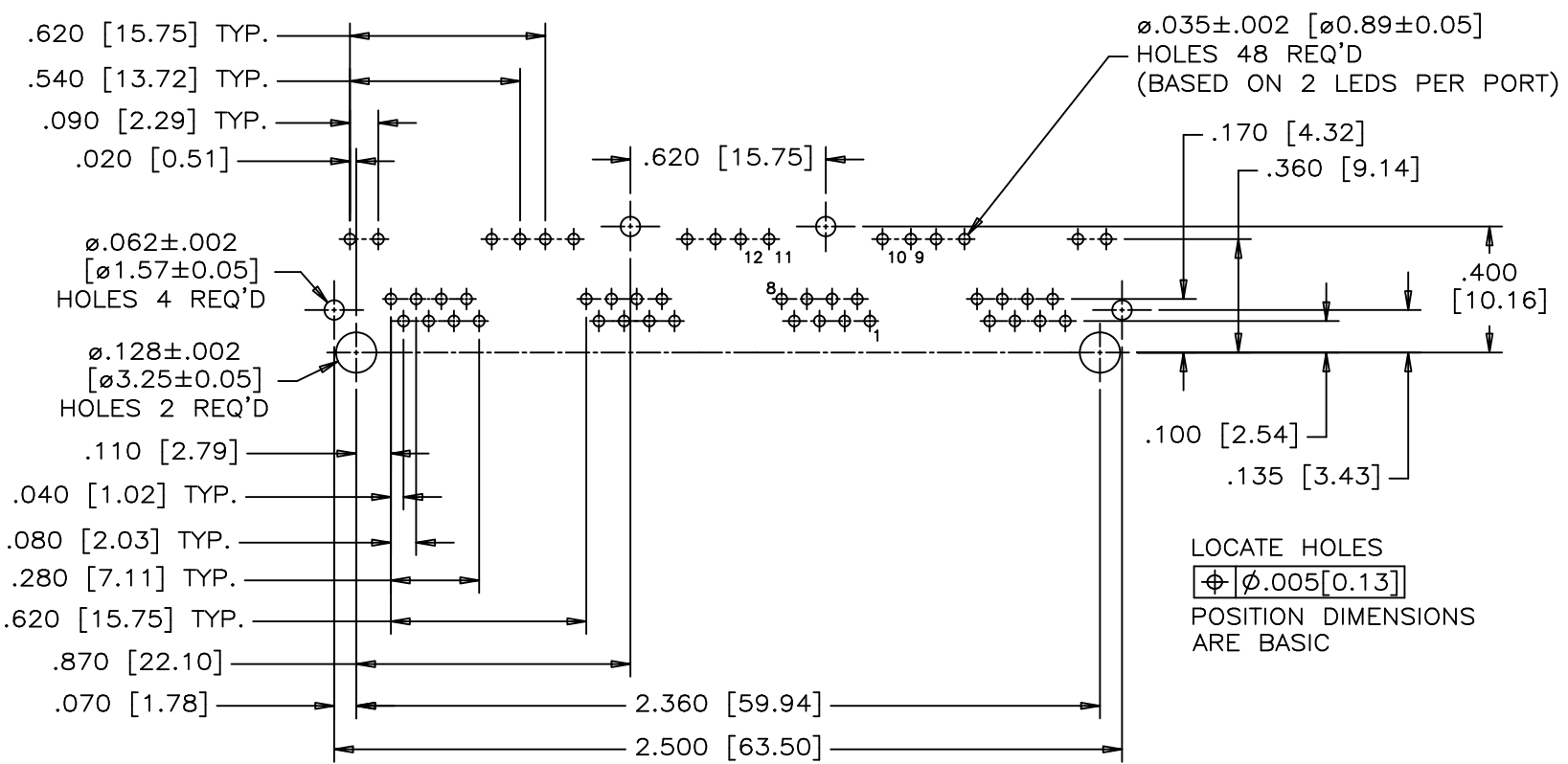
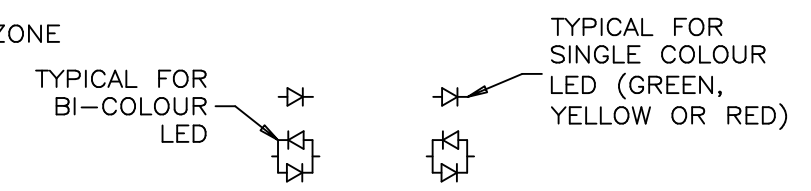
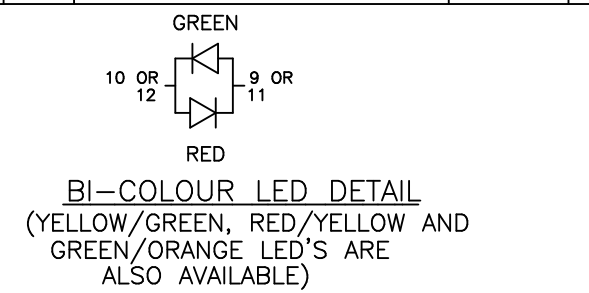
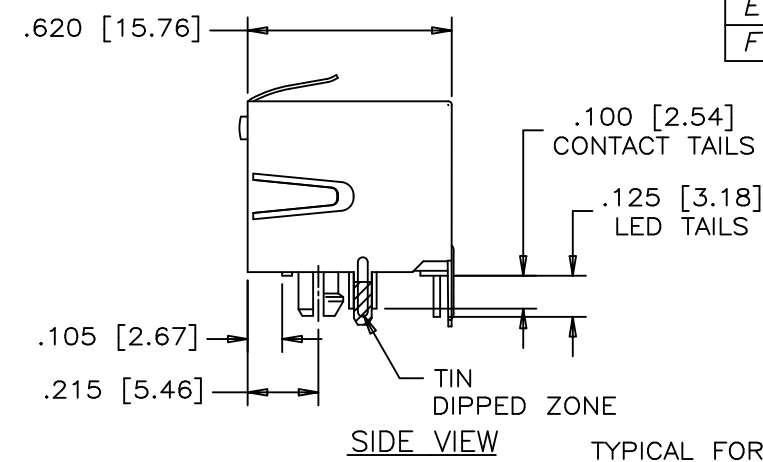
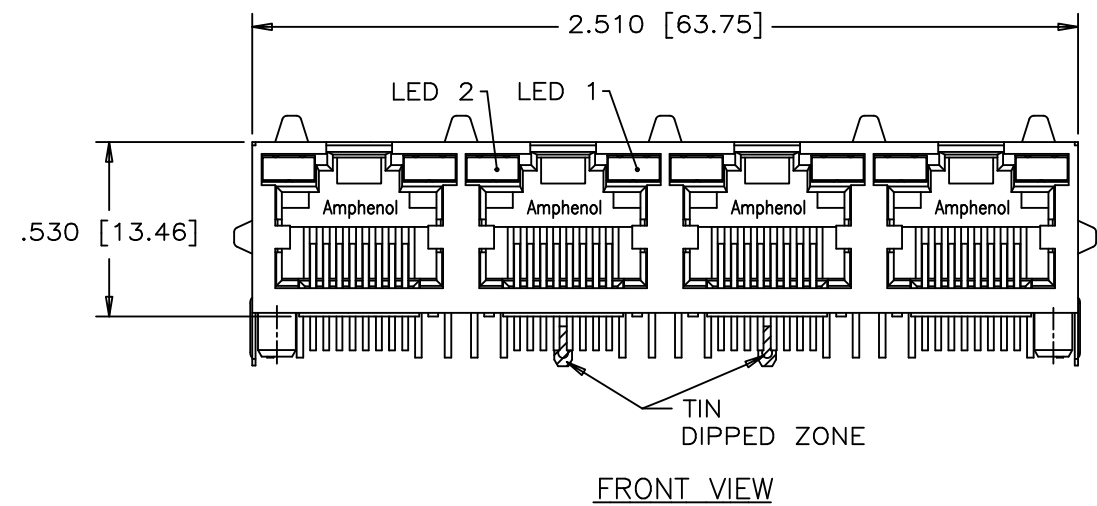


| REVISIONS | | | | |
|-----------|------|----------------------------------|------------|--------|
| SYM | ZONE | ECN, ERN NO. | DATE | APPRD. |
| E | | PROPOSAL | JULY 10.08 | L.CHAN |
| F | | SHIELD CHANGE TO STAINLESS STEEL | OCT 08/12 | L.CHAN |



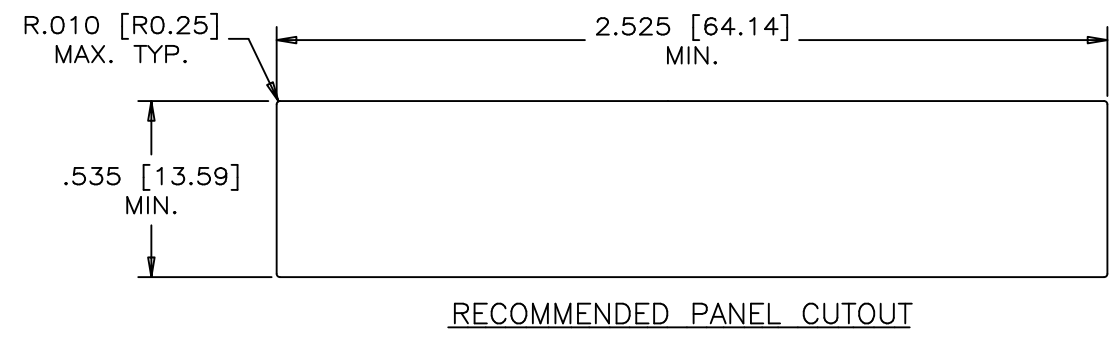
MATERIALS:
 PLASTIC HOUSING: HIGH TEMPERATURE THERMOPLASTIC
 FLAMMABILITY RATING UL 94V-0

CONTACTS: PHOSPHOR BRONZE
 PLATING: 50 μ" [1.27 MICRONS]
 MIN. GOLD ON MATING SURFACES.
 50 μ" [1.27 MICRONS]
 MIN. NICKEL UNDERPLATE
 100 μ" [2.54 MICRONS]
 MIN. MATTE TIN ON CONTACT TAILS.

SHIELD: STAINLESS STEEL WITH TIN DIPPED PCB TAILS.

RECOMMENDED SOLDERING TEMPERATURE:
 WAVE SOLDERING AT 260°C MAXIMUM FOR 5 SEC MAXIMUM.

LOCATE HOLES
 $\phi .005 [0.13]$
 POSITION DIMENSIONS
 ARE BASIC



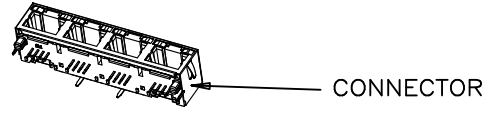
PART NUMBER: RJHSE-538X-04

REFER TO LED OPTIONS DRAWING
 FOR ORDERING CODES

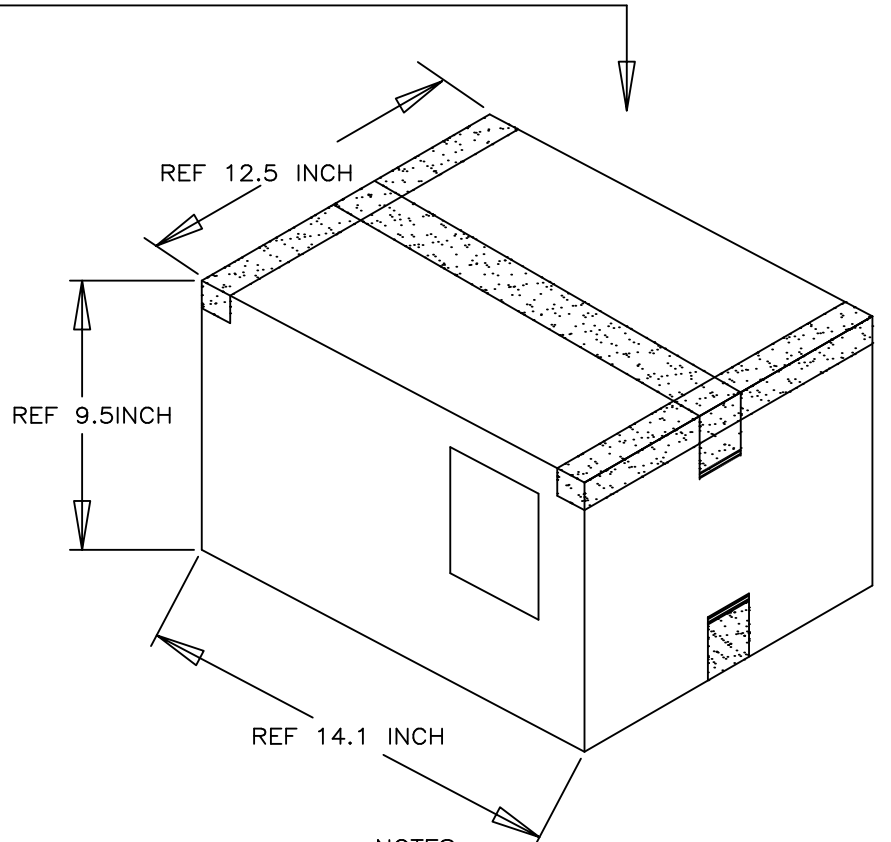
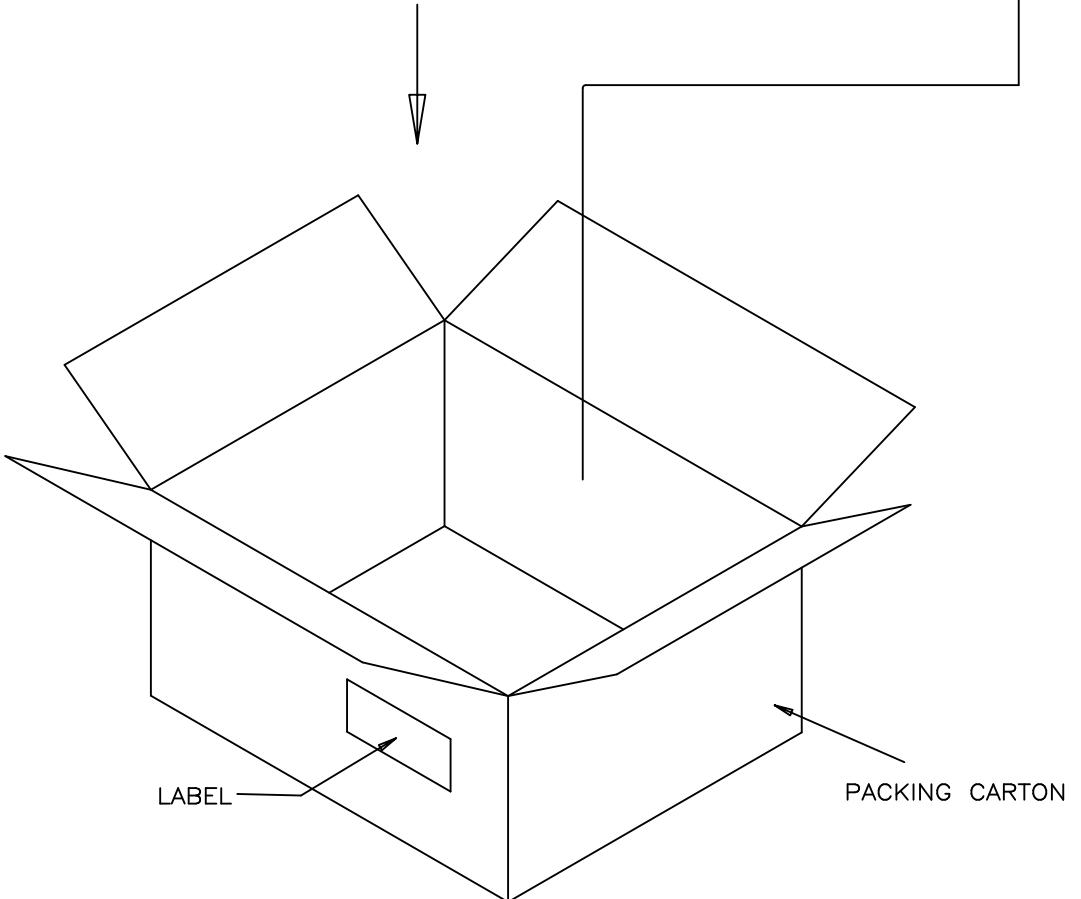
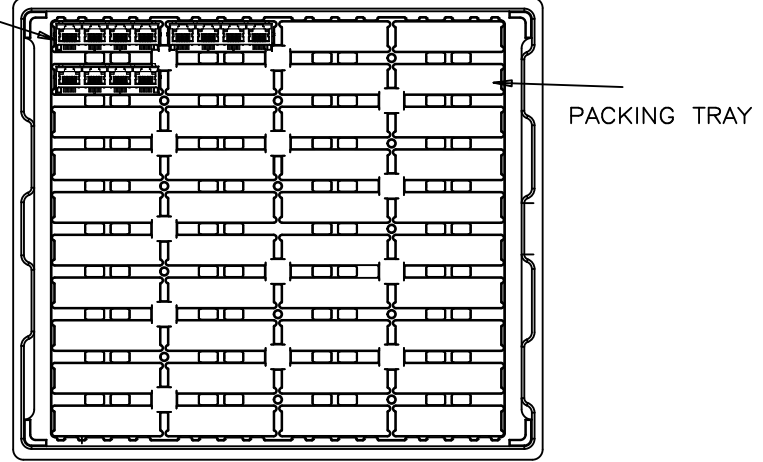
| | | | | |
|-------------------------------|--------------------|--|-----------------|--------------|
| DRAWN PAULW | DATE APR14/06 | Amphenol Canada Corp. | | |
| DESIGNED | | | | |
| CHECKED CHIGOW | APR14/06 | TITLE | | |
| I. E. APPRD. | | 4 PORT, HIGH SPEED, MODULAR JACK, 8 POSITION, 8 CONTACTS, SHIELDED WITH LED'S - RoHS COMPLIANT | | |
| Q. A. APPRD. | | DWG | DRAWING NO. | REV. |
| DWG. APPRD. | | | P-RJHSE-538X-04 | F |
| ENG. REL. NO. | | SCALE | WT. ----- | SURF. ----- |
| REF. | | | | SHEET 1 OF 2 |
| DIMENSIONS ARE IN INCHES [mm] | CODE ID. NO. 03554 | | | |

THIS DOCUMENT CONTAINS PROPRIETARY INFORMATION AND SUCH INFORMATION MAY NOT BE DISCLOSED TO OTHERS FOR ANY PURPOSE OR USED FOR MANUFACTURING PURPOSES WITHOUT WRITTEN PERMISSION FROM AMPHENOL CANADA CORP.

| REVISIONS | | | | |
|-----------|------|----------------------------------|------------|--------|
| SYM | ZONE | ECN, ERN NO. | DATE | APPRD. |
| E | | PROPOSAL | JULY 10.08 | L.CHAN |
| F | | SHIELD CHANGE TO STAINLESS STEEL | OCT 08/12 | L.CHAN |



CONNECTOR PLACE SCHEMATIC



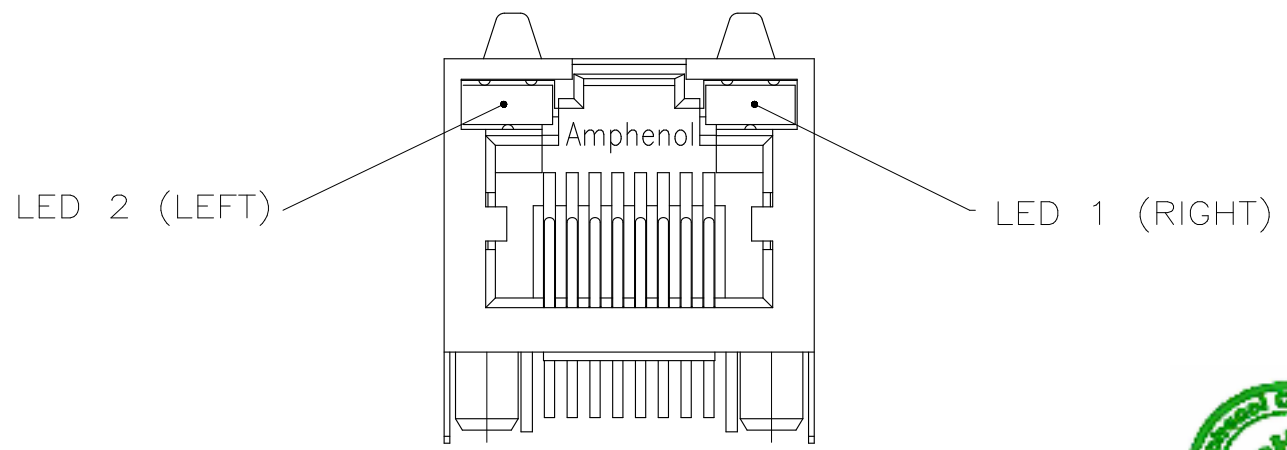
- NOTES:
 PACKAGING QUANTITY:
 1. 40PCS / TRAY
 2. 12 TRAYS / CARTON
 480 PCS CONNECTORS / CARTON

THIS DOCUMENT CONTAINS PROPRIETARY INFORMATION AND SUCH INFORMATION MAY NOT BE DISCLOSED TO OTHERS FOR ANY PURPOSE OR USED FOR MANUFACTURING PURPOSES WITHOUT WRITTEN PERMISSION FROM AMPHENOL CANADA CORP.

| | | | |
|-------------------|--------------|------|----------|
| DRAWN | PAULW | DATE | APR14/06 |
| DESIGNED | | | |
| CHECKED | CHIGOW | DATE | APR14/06 |
| I. E. APPRD. | | | |
| Q. A. APPRD. | | | |
| DWG. APPRD. | | | |
| ENG. REL. NO. | | | |
| REF. | | | |
| DIMENSIONS ARE IN | CODE ID. NO. | | |
| MM [INCHES] | 03554 | | |

| | | | |
|-----------------------|-----------------|--|--------------|
| Amphenol Canada Corp. | | | |
| TITLE | | 4 PORT, HIGH SPEED, MODULAR JACK, 8 POSITION, 8 CONTACTS, SHIELDED WITH LED'S OPTION | |
| | | PACKING DRAWING - RoHS COMPLIANT | |
| DWG | DRAWING NO. | REV. | |
| | P-RJHSE-538X-04 | F | |
| SCALE | WT. | SURF. | SHEET 2 OF 2 |

| REVISIONS | | | | |
|-----------|------|----------------|----------|--------|
| SYM | ZONE | ECN, ERN NO. | DATE | APPRD. |
| A | | PROPOSAL | SEP21/04 | |
| B | | ADD LED CODE N | AUG16/12 | L.C |



TYPICAL FOR SINGLE & MULTI-PORT



LED SPECIFICATIONS:
 FORWARD VOLTAGE: 2.1 VOLTS TYP.
 REVERSE VOLTAGE: 5.0 VOLTS MIN.
 LUMINOUS INTENSITY: 0.5 mCd MIN.
 (AT If=2mA)
 STORAGE TEMPERATURE: -20° TO 85° C
 LEAD SOLDERING TEMPERATURE: 260° C
 (5 SEC, 1/16" FROM CASE)
 PLATING ON TAILS: TIN OR TIN/COPPER ALLOY OVER SILVER

EXAMPLE:

PART NUMBER RJHSE-538X



| CODE | LED 2 (LEFT) | LED 1 (RIGHT) | CODE | LED 2 (LEFT) | LED 1 (RIGHT) | CODE | LED 2 (LEFT) | LED 1 (RIGHT) |
|------|--------------|---------------|------|--------------|---------------|------|--------------|---------------|
| 0 | BLOCKED | BLOCKED | 9 | GREEN | BLOCKED | J | BiC RD/GR | YELLOW |
| 1 | YELLOW | GREEN | A | BiC GR/YE | BiC GR/YE | K | YELLOW | BiC GR/OR |
| 2 | BLOCKED | GREEN | B | BiC RD/GR | BiC RD/GR | L | BiC GR/YE | RED |
| 3 | YELLOW | BLOCKED | C | BiC RD/GR | BiC GR/YE | M | RED | YELLOW |
| 4 | GREEN | YELLOW | D | GREEN | BiC GR/YE | N | BiC GR/RD | BiC GR/YE |
| 5 | GREEN | GREEN | E | YELLOW | BiC GR/YE | P | GREEN | BiC RD/GR |
| 6 | YELLOW | YELLOW | F | BiC GR/YE | YELLOW | R | BiC GR/OR | GREEN |
| 7 | RED | GREEN | G | BiC GR/OR | BiC GR/OR | T | RED | RED |
| 8 | GREEN | RED | H | BiC GR/YE | GREEN | V | BiC RD/GR | GREEN |
| | | | W | ADDITIONAL | OPTIONS | | | |

PRIMARY COLOR FOR BI-COLOR LEDS IN STANDARD ANODE/CATHODE CONFIGURATION IS:
 RED-GREEN= RED
 RED-YELLOW= RED
 GREEN-YELLOW= GREEN
 GREEN-ORANGE= GREEN

LEGEND

BiC=BI-COLOR LED
 LOWC=LOW CURRENT LED
 YE=YELLOW
 GR=GREEN
 RD=RED
 OR=ORANGE

EXAMPLE OF ADDITIONAL LED OPTIONS:

PART NUMBER RJHSE-538W-01Y



| CODE | LED 2 (LEFT) | LED 1 (RIGHT) | CODE | LED 2 (LEFT) | LED 1 (RIGHT) | CODE | LED 2 (LEFT) | LED 1 (RIGHT) |
|------|--------------|---------------|------|--------------|---------------|------|--------------|---------------|
| 0 | DO NOT USE | | 5 | BLOCKED | YELLOW | E | BIC GR/YE | BIC GR/RD |
| 1 | RED | BLOCKED | 6 | RED | BiC RD/GR | A | LOWC YE | LOWC YE |
| 2 | BiC GR/OR | YELLOW | 7 | BLOCKED | BiC RD/GR | B | LOWC YE | LOWC GR |
| 3 | YELLOW | RED | 8 | BiC RD/GR | BLOCKED | C | LOWC GR | LOWC YE |
| 4 | BLOCKED | RED | 9 | BiC GR/YE | BLOCKED | D | LOWC GR | LOWC GR |
| | | | | | | M | LOWC RD | LOWC YE |

NOTE:

THE TWO DIGITS PRECEDING THE ADDITIONAL LED CODE MUST BE USED IN THE PART NUMBER, WHEN ORDERING ANY OF THE ADDITIONAL LED OPTIONS.

THIS DOCUMENT CONTAINS PROPRIETARY INFORMATION AND SUCH INFORMATION MAY NOT BE DISCLOSED TO OTHERS FOR ANY PURPOSE OR USED FOR MANUFACTURING PURPOSES WITHOUT WRITTEN PERMISSION FROM AMPHENOL CANADA CORP.

| | | | | |
|-------------------------------|----------------------|---|--------------|--------------|
| DRAWN <i>K. LAMBIE</i> | DATE <i>SEP21/04</i> | Amphenol Canada Corp. | | |
| DESIGNED | | | | |
| CHECKED | | TITLE LED OPTIONS FOR RJHSE, SINGLE OR MULTI-PORT CONNECTORS - RoHS COMPLIANT | | |
| I. E. APPRD. | | | | |
| Q. A. APPRD. | | DWG | DRAWING NO. | REV. |
| DWG. APPRD. | | | P-RJHSE-LEDS | B |
| ENG. REL. NO. | | SCALE | WT. ----- | SURF. ----- |
| REF. | | | | SHEET 1 OF 1 |
| DIMENSIONS ARE IN INCHES [mm] | CODE ID. NO. 03554 | | | |