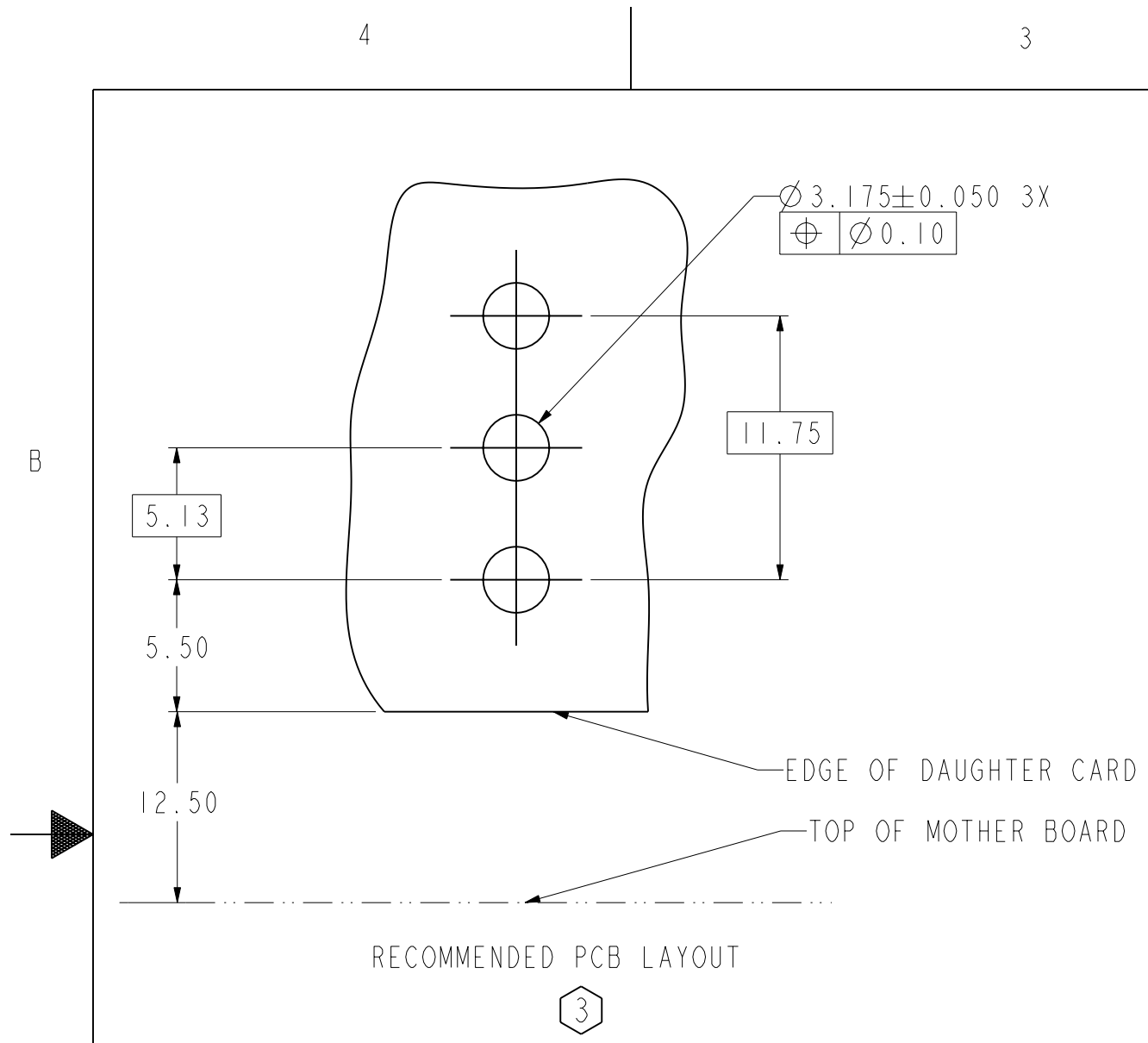


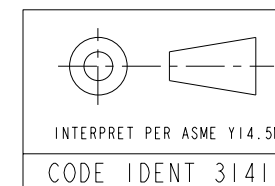
DRW NO.	CAA740-00013	SH	REV
		1	-

ZONE	REV	SCR NUMBER	DESCRIPTION	BY	DATE	APPROVED
ALL	-	KLEC-73RK95.VER01	NEW RELEASE	HCL-RK	05/28/07	K.LEBLANC



NOTES:

1. MATERIAL: ZINC ALLOY
2. FINISH: HEX FREE YELLOW CHROMATE
- ③ REFER TO CUSTOMER DRAWING CAAPCB-50000 FOR INFORMATION REGARDING PCB LAYOUT OF POWER AND GUIDE MODULES RELATIVE TO SIGNAL MODULES
4. THIS PRODUCT MEETS EUROPEAN UNION DIRECTIVES AND OTHER COUNTRY REGULATIONS AS DESCRIBED IN TB-2164-COCAA AS OF THE RELEASE DATE OF THIS DRAWING.



TOLERANCES		DESIGN
0.0	±0.25	05/23/07 HCL-SG
0.00	±0.13	DRAWN 05/28/07 HCL-RK
0.000	± -	CHK 06/04/07 K.LEBLANC
ANGLES	± -	APVD 06/04/07 K.LEBLANC

UNLESS OTHERWISE SPECIFIED DIMENSIONS ARE IN MM, DECIMAL MAKER IS PERIOD

**CUSTOMER USE  
DRAWING**

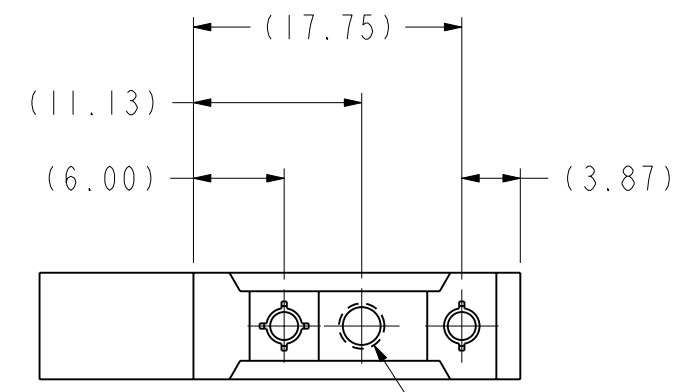
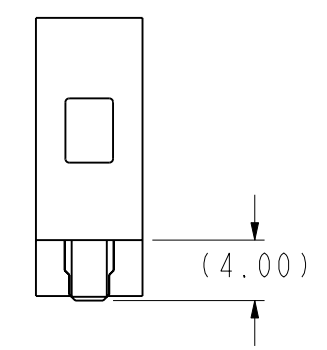
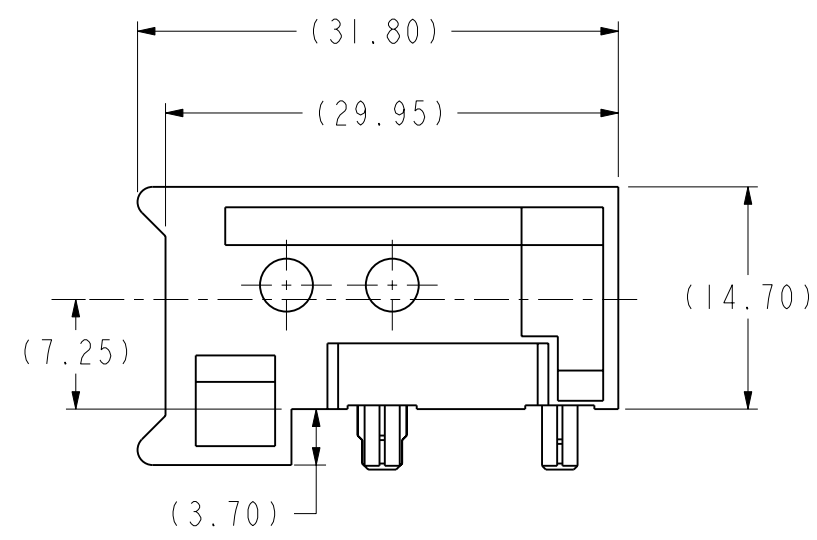
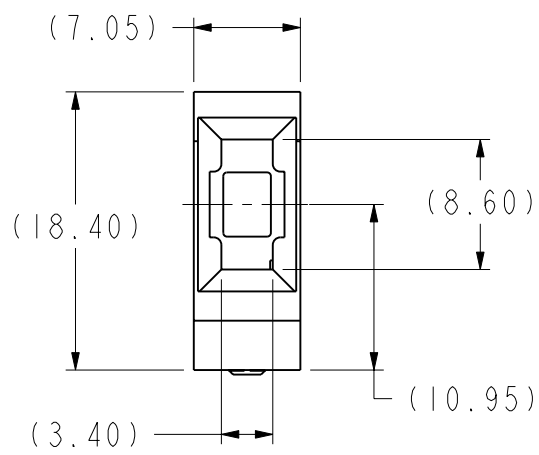
<b>Amphenol TCS</b> A Division of Amphenol Corporation 44 Simon Street, Nashua, NH, 03060 603.879.3000		TITLE	7.2MM GUIDE MODULE, RIGHT ANGLE
		PART NO.	AA740-00013
DRAWING NO.	CAA740-00013	REV	-
Proc PART	7_2MM_GUIDE_MODULE_RIGHT_ANGLE	1.0	
	7_2MM_GUIDE_MODULE_RIGHT_ANGLE.dwg	1.2	
SIZE	B	SCALE	1/1
		SHEET 1 OF 2	

DRW NO.  
CAA740-00013

SH  
1  
REV  
1

DRW NO.	CAA740-00013	SH	2	REV	-
---------	--------------	----	---	-----	---

ZONE	REV	SCR NUMBER	DESCRIPTION	BY	DATE	APPROVED
			SEE SHEET 1			



M3 X 0.5-6H  
X 3.0 DEEP

TOLERANCES		DESIGN	05/23/07 HCL-SG
0.0	±0.25	DRAWN	05/28/07 HCL-RK
0.00	±0.13	CHK	06/04/07 K.LEBLANC
0.000	± -	APVD	06/04/07 K.LEBLANC
ANGLES	± -		

<b>Amphenol TCS</b> A Division of Amphenol Corporation 44 Simon Street, Nashua, NH, 03060 603.879.3000		TITLE	7.2MM GUIDE MODULE, RIGHT ANGLE	
		PART NO.	AA740-00013	REV
DRAWING NO.	CAA740-00013	REV	-	
ProcPART	7_2MM_GUIDE_MODULE_RIGHT_ANGLE	1.0		
	7_2MM_GUIDE_MODULE_RIGHT_ANGLE.dwg	1.2		
SIZE	B	SCALE	4/1	SHEET 2 OF 2

INTERPRET PER ASME Y14.5M  
CODE IDENT 31413

CUSTOMER USE  
DRAWING

DRW NO.  
CAA740-00013  
SH 2  
REV -