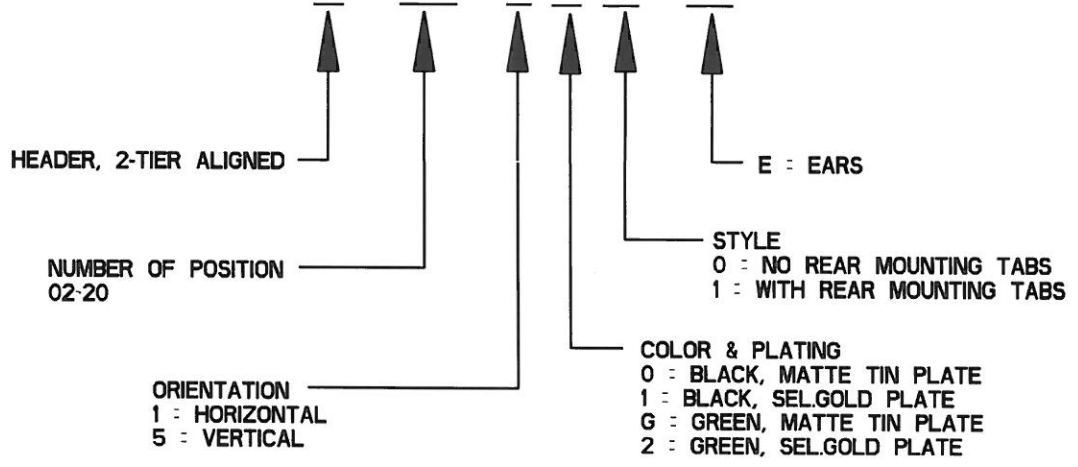


REV	ECN	APP'D
-	6635	152 12/10

ELXA SERIES PART NUMBERING SCHEME

ELX A 02 1 0 0



UL
 RATINGS
 CURRENT- 12A
 VOLTAGE- 300V
 U.L. FILE NO. E83421

CSA
 RATINGS
 CURRENT- 12A
 VOLTAGE- 300V
 CSA FILE NO.: LR69703

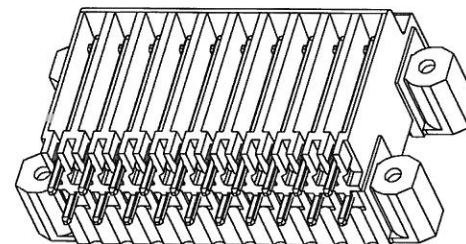
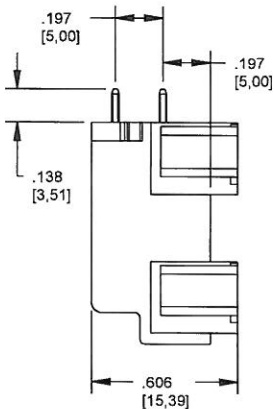
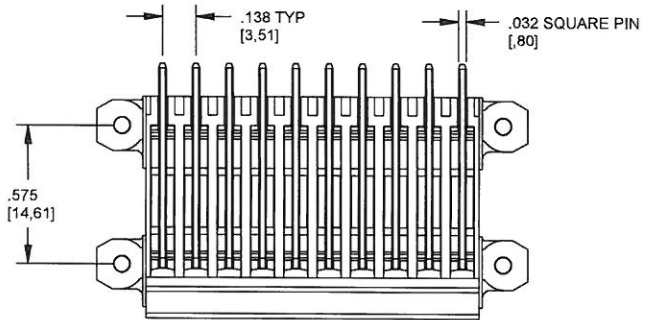
DIN VDE 0627:1986
 DIN VDE 0110-1:1989
 EN 60947-1:1991
 EN 60947-1:1992
 CURRENT - 12A
 VOLTAGE -300V
 TUV FILE NO.20396

MATERIALS:
 HOUSING: PA4/6, UL94 V-0;
 CONTACT: BRASS, 100% MATTE TIN PLATING PER ASTM B-545;
 NUT: STEEL, NICKEL PLATING PER QQ-N-290;

MAX OPERAING TEMPERATURES:
 125° CONTINUOUS USE
 250° FOR 1 MINUTE (SOLDERING)

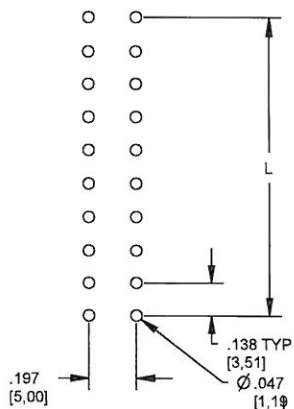
DIMENSIONS ANSI Y14.5M UNITS: INCHES(MM) Pro/E FILE	TOLERANCES .XX ±0.01 .XXX ±0.005 ANGLES ±2.0°	PROJECTION 	<h3>Amphenol Pcd</h3> <p><i>SPECIFICATION DRAWING</i></p> <hr/> <p>DRWN D. LIU 08-Dec-10</p>	TITLE <h2>ELXA SERIES</h2> <h2>2 TIER .138"CL</h2>		
THIS DOCUMENT CONTAINS PROPRIETARY INFORMATION WHICH IS THE CONFIDENTIAL PROPERTY OF AMPHENOL PCD, BEVERLY, MA			ENGR APPD <i>BL</i> 12/9/10	SIZE A	DWG NO. <h3>ELXA02100_C</h3>	REV -
			CODE: 58982	SCALE: NONE	SHEET 1 OF 5	

ELXA02100_C

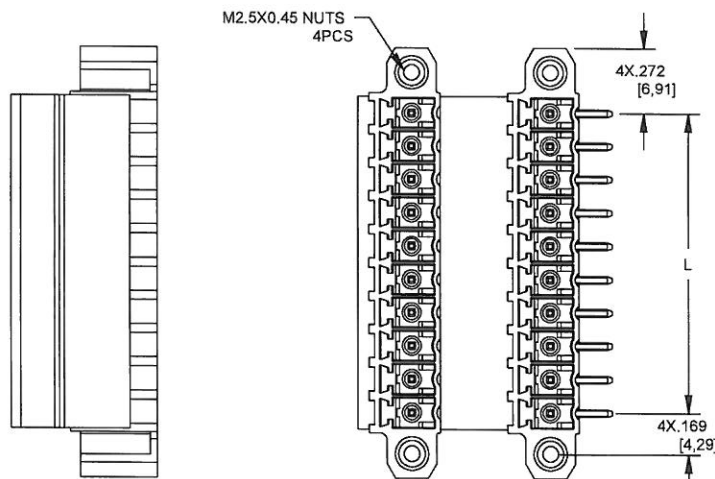


ELXA02100_C

PRINTED CIRCUIT BOARD CONFIGURATION



RECOMMENDED PCB THICKNESS: .062"± .008"



ELXA10100E SHOWN
WITH MOUNTING EARS STYLE

x REFER TO SHEET 1
PART NUMBERING SCHEME

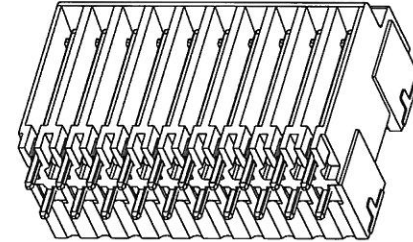
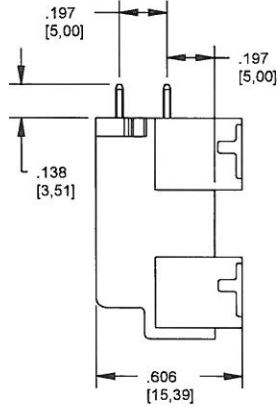
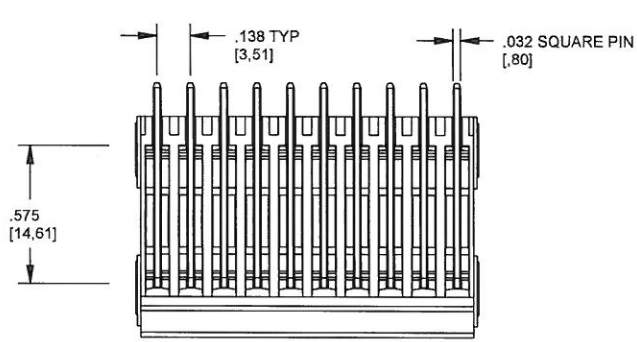
P/N.	POS	DIM L .005/INCH
ELXA021x0E	4	.138
ELXA031x0E	6	.276
ELXA041x0E	8	.414
ELXA051x0E	10	.552
ELXA061x0E	12	.690
ELXA071x0E	14	.828
ELXA081x0E	16	.966
ELXA091x0E	18	1.104
ELXA101x0E	20	1.242
ELXA111x0E	22	1.380
ELXA121x0E	24	1.518
ELXA131x0E	26	1.656
ELXA141x0E	28	1.794
ELXA151x0E	30	1.932
ELXA161x0E	32	2.070
ELXA171x0E	34	2.208
ELXA181x0E	36	2.346
ELXA191x0E	38	2.484
ELXA201x0E	40	2.622

ELXA02100_C

SIZE B	DWG NO. ELXA02100_C	REV -
CODE: 58982	SCALE: NONE	SHEET 2 OF 5

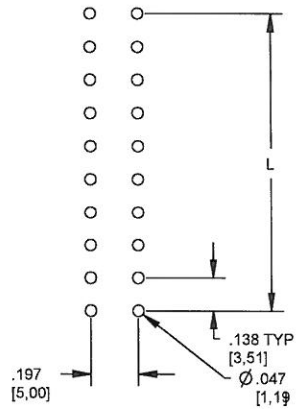
PJC 12/10

ELXA02100_C

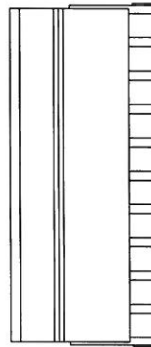


ELXA02100_C

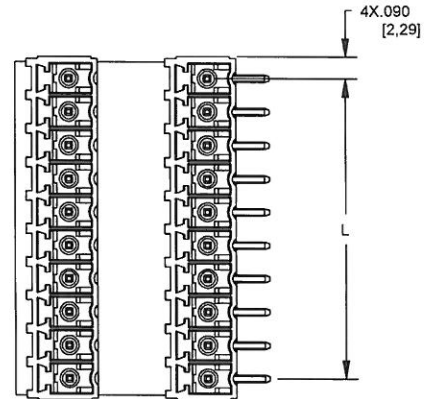
PRINTED CIRCUIT BOARD CONFIGURATION



RECOMMENDED PCB THICKNESS: .062" ± .008"



ELXA10100 SHOWN
WITHOUT REAR MOUNTING TABS



x REFER TO SHEET 1
PART NUMBERING SCHEME

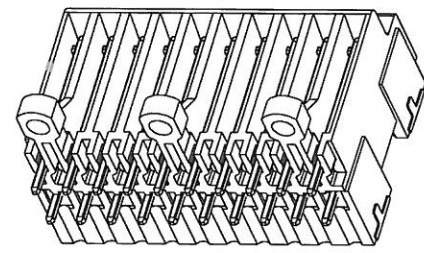
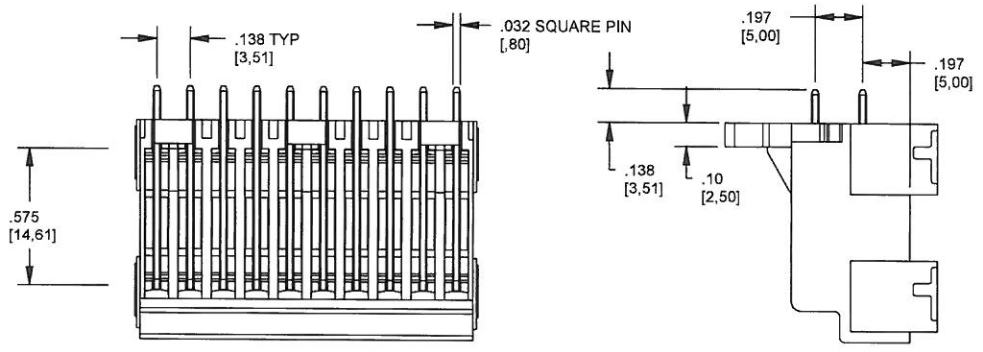
P/N.	POS	DIM L .005/INCH
ELXA021x0	4	.138
ELXA031x0	6	.276
ELXA041x0	8	.414
ELXA051x0	10	.552
ELXA061x0	12	.690
ELXA071x0	14	.828
ELXA081x0	16	.966
ELXA091x0	18	1.104
ELXA101x0	20	1.242
ELXA111x0	22	1.380
ELXA121x0	24	1.518
ELXA131x0	26	1.656
ELXA141x0	28	1.794
ELXA151x0	30	1.932
ELXA161x0	32	2.070
ELXA171x0	34	2.208
ELXA181x0	36	2.346
ELXA191x0	38	2.484
ELXA201x0	40	2.622

ELXA02100_C

SIZE	DWG NO	REV
B	ELXA02100_C	-
CODE: 58982	SCALE: NONE	SHEET 3 OF 5

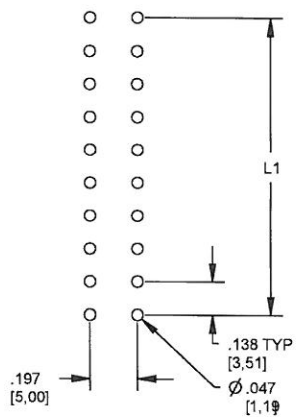
P5c 12/10

ELXA02100_C

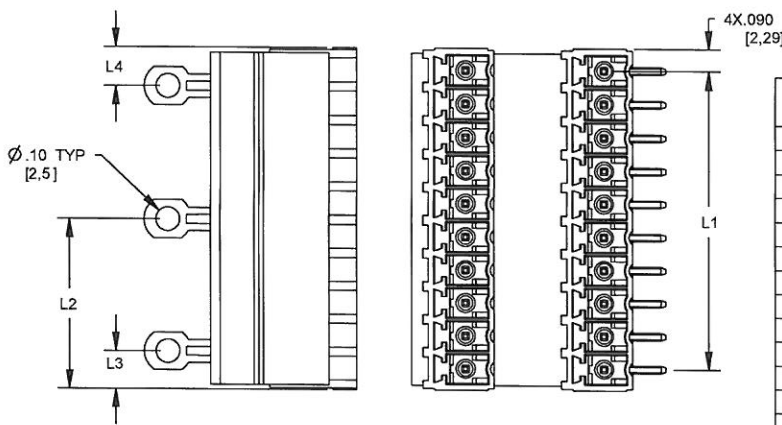


ELXA02100_C

PRINTED CIRCUIT BOARD CONFIGURATION



RECOMMENDED PCB THICKNESS: .062±.008"



ELXA10101 SHOWN WITH REAR MOUNTING TABS

FOR PARTS WITH REAR MOUNTING TAB STYLE, THE TAB QUANTITY DEPEND ON THE POS
 4,6POS ONLY HAVE 1 TAB;
 8~14POS HAVE TWO TABS;
 OTHERS HAS 3 TABS.

PSZ 12/10

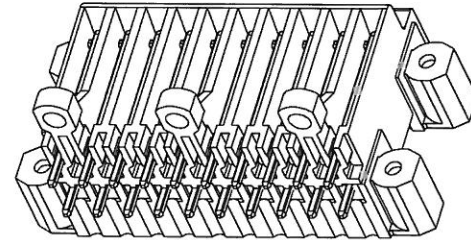
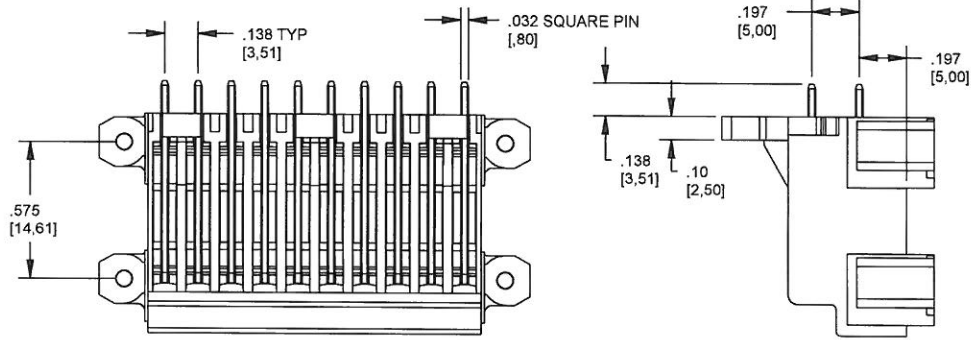
x REFER TO SHEET 1 PART NUMBERING SCHEME

P/N.	POS	DIM L1 .005/INCH	DIM L2 .005/INCH	DIM L3 .005/INCH	DIM L4 .005/INCH
ELXA021x1	4	.138	-	.159	-
ELXA031x1	6	.276	-	.159	-
ELXA041x1	8	.414	-	.159	.159
ELXA051x1	10	.552	-	.159	.159
ELXA061x1	12	.690	-	.159	.159
ELXA071x1	14	.828	-	.159	.159
ELXA081x1	16	.966	.573	.159	.159
ELXA091x1	18	1.104	.573	.159	.159
ELXA101x1	20	1.242	.711	.159	.159
ELXA111x1	22	1.380	.711	.159	.159
ELXA121x1	24	1.518	.849	.159	.159
ELXA131x1	26	1.656	.849	.159	.159
ELXA141x1	28	1.794	.987	.159	.159
ELXA151x1	30	1.932	.987	.159	.159
ELXA161x1	32	2.070	1.125	.159	.159
ELXA171x1	34	2.208	1.125	.159	.159
ELXA181x1	36	2.346	1.263	.159	.159
ELXA191x1	38	2.484	1.263	.159	.159
ELXA201x1	40	2.622	1.401	.159	.159

SIZE B	DWG NO. ELXA02100_C	REV -
CODE: 58982	SCALE: NONE	SHEET 4 OF 5

ELXA02100_C

ELXA02100_C

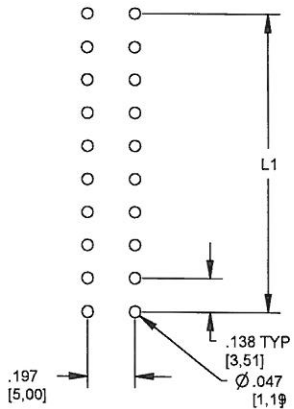


NOTES:
 FOR PARTS WITH REAR MOUNTING TAB STYLE,
 THE TAB QUANTITY DEPEND ON THE POS
 4,6POS ONLY HAVE 1 TAB;
 8-14POS HAVE TWO TABS;
 OTHERS HAS 3 TABS.

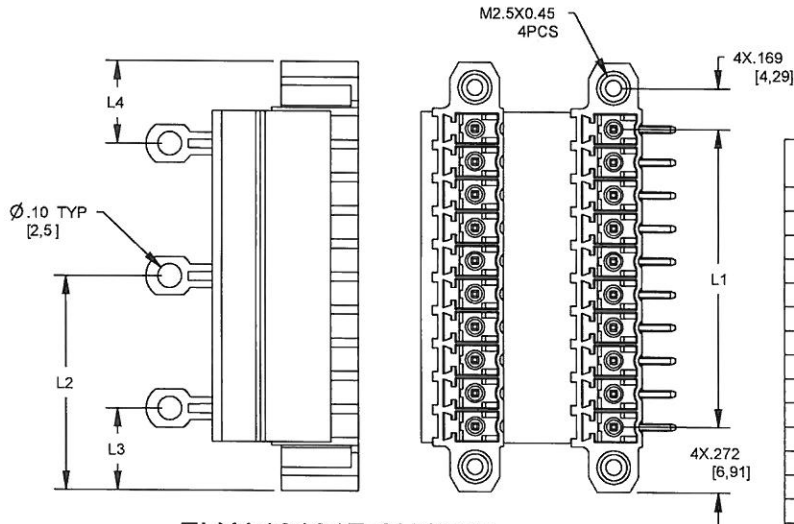
x REFER TO SHEET 1 PART NUMBERING SCHEME

ELXA02100_C

PRINTED CIRCUIT BOARD CONFIGURATION



RECOMMENDED PCB THICKNESS: .062" ± .008"



ELXA10101E SHOWN
 WITH REAR MOUNTING TABS

P/N.	POS	DIM L1 .005/INCH	DIM L2 .005/INCH	DIM L3 .005/INCH	DIM L4 .005/INCH
ELXA021x1E	4	.138	-	.341	-
ELXA031x1E	6	.276	-	.341	-
ELXA041x1E	8	.414	-	.341	.341
ELXA051x1E	10	.552	-	.341	.341
ELXA061x1E	12	.690	-	.341	.341
ELXA071x1E	14	.828	-	.341	.341
ELXA081x1E	16	.966	.755	.341	.341
ELXA091x1E	18	1.104	.755	.341	.341
ELXA101x1E	20	1.242	.893	.341	.341
ELXA111x1E	22	1.380	.893	.341	.341
ELXA121x1E	24	1.518	1.031	.341	.341
ELXA131x1E	26	1.656	1.031	.341	.341
ELXA141x1E	28	1.794	1.169	.341	.341
ELXA151x1E	30	1.932	1.169	.341	.341
ELXA161x1E	32	2.070	1.307	.341	.341
ELXA171x1E	34	2.208	1.307	.341	.341
ELXA181x1E	36	2.346	1.445	.341	.341
ELXA191x1E	38	2.484	1.445	.341	.341
ELXA201x1E	40	2.622	1.583	.341	.341

ELXA02100_C

PSC 12/10

SIZE B	DWG NO ELXA02100_C	REV -
CODE: 58982	SCALE: NONE	SHEET 5 OF 5