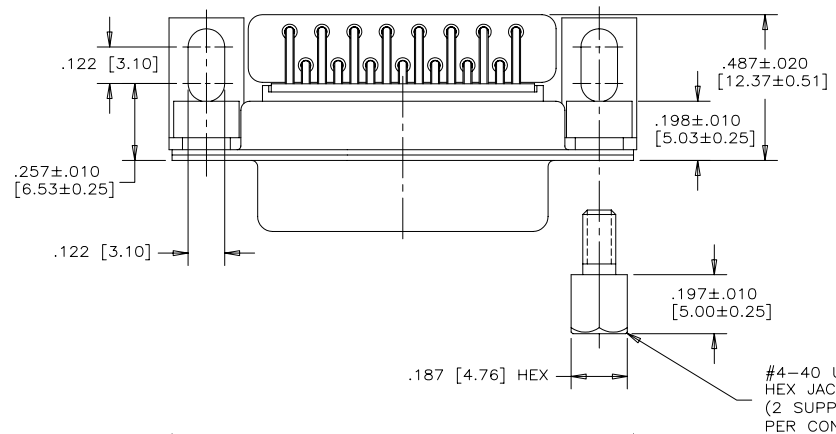


REVISIONS			
REV	ECN, ERN NO.	DATE	APPRD.
A	PROPOSAL DRAWING (EAR 13019)	JAN23/07	K.L.



ORDERING CODE: F C E 1 7 - A 1 5 S A - E E 1

SERIES
FCE17=FILTERED D-SUB, RoHS

SIZE/NUMBER OF CONTACTS
A15=A SIZE SHELL, 15 CONTACTS

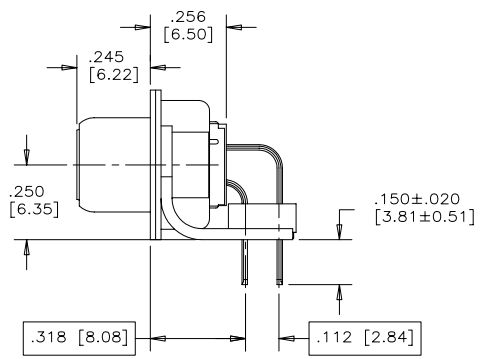
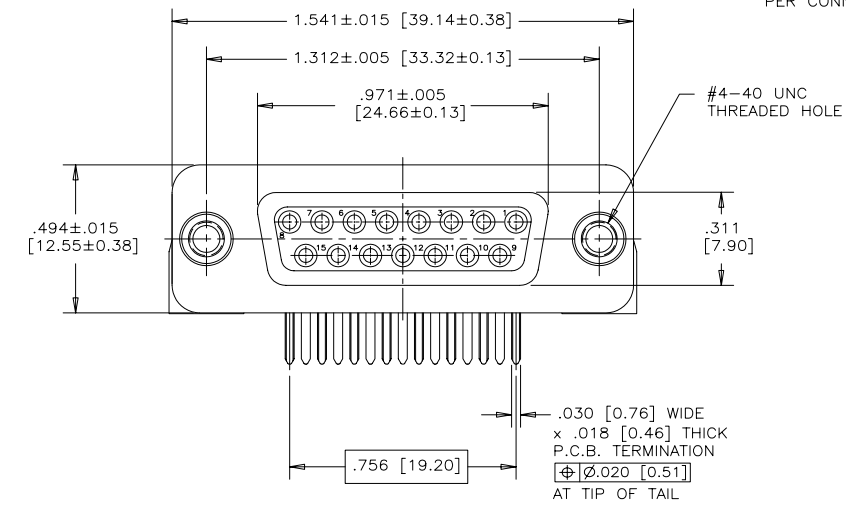
CONNECTOR STYLE
S=SOCKET

TERMINATION TYPE
A=.318" [8.08] FOOTPRINT

MODIFIER
1=SPECIAL 2500 pF CAPACITORS FOR 1000 VDC DWV CAPABILITY, WITH METAL MOUNTING BRACKETS

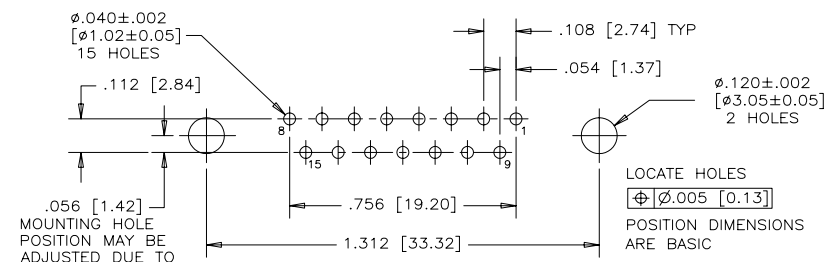
FILTER CAPACITANCE
E=2500 pF
REFER TO AMPHENOL CATALOGUE FOR FILTER PERFORMANCE CHARACTERISTICS

MOUNTING
E=#4-40 THREAD ON FLANGE WITH #4-40 HEX JACK SOCKETS SUPPLIED

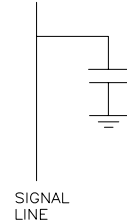


NOTES:

- MATERIALS: ALL MATERIALS ARE RoHS COMPLIANT.
 - SHELL: STEEL, TIN PLATED
 - CONTACTS: PHOSPHOR BRONZE, PLATED WITH 15μ" [0.38 MICRONS] GOLD OVER 50μ" [1.27 MICRONS] MINIMUM NICKEL IN THE MATING AREA AND 100μ" [2.54 MICRONS] MINIMUM MATTE TIN ON THE TAILS.
 - INSULATOR: ENGINEERING THERMOPLASTIC, GLASS REINFORCED, UL FLAMMABILITY RATING 94V-0, COLOUR: BLACK
 - MOUNTING HARDWARE, STEEL OR COPPER ALLOY, TIN OR NICKEL PLATED.
- CONTACT RESISTANCE: 15 MILLIOHMS MAXIMUM
- INSULATION RESISTANCE: 3000 MEGOHMS MINIMUM
- CURRENT RATING: 5 AMPS MAXIMUM
- CAPACITANCE: 2500 pF ±15%
- DIELECTRIC WITHSTANDING VOLTAGE: 1000 VDC
- OPERATING TEMPERATURE: -40°C TO 85°C
- TOLERANCE UNLESS INDICATED OTHERWISE: ±.005 [0.13]



CAPACITANCE SCHEMATIC FOR EACH POSITION



RECOMMENDED P.C.B. LAYOUT (COMPONENT SIDE OF BOARD)

DRAWN K. LAMBIE	DATE JAN23/07
DESIGNED	
CHECKED	
I. E. APPRD.	
Q. A. APPRD.	
DWG. APPRD.	
ENG. REL. NO.	
REF. EAR #13019	
DIMENSIONS ARE IN INCHES [mm]	CODE ID. NO. 03554

Amphenol Canada Corp.	
FCE17 SERIES FILTERED D-SUB CONNECTOR, 15 SIZE SOCKET, RIGHT ANGLE .318" [8.08] F/P, JACK SOCKETS, METAL BRACKETS, SPECIAL 2500pF CAPACITANCE, 1000 VDC DWV, RoHS COMPLIANT	
DWG C	DRAWING NO. P-FCE17-A15SA-EE1
REV. A	
SCALE 3/1	WT. ----- SURF. ----- SHEET 1 of 1

THIS DOCUMENT CONTAINS PROPRIETARY INFORMATION AND SUCH INFORMATION MAY NOT BE DISCLOSED TO OTHERS FOR ANY PURPOSE OR USED FOR MANUFACTURING PURPOSES WITHOUT WRITTEN PERMISSION FROM AMPHENOL CANADA CORP.