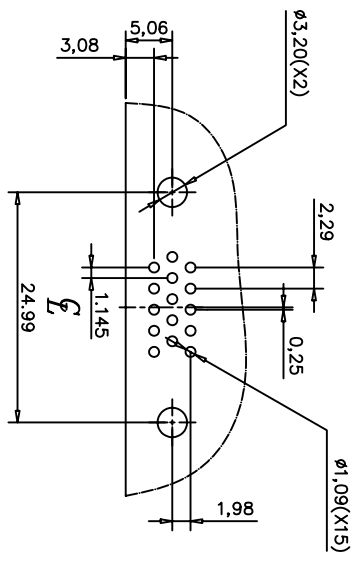
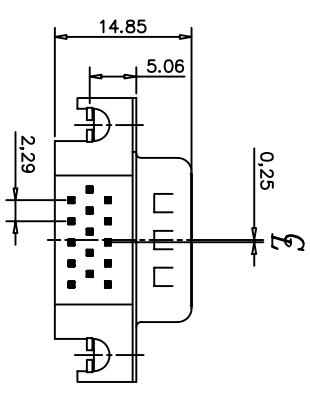
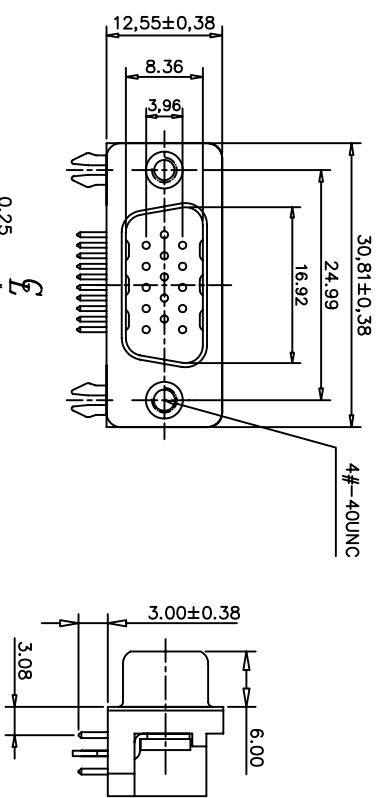


This document is the property of Amphenol Corporation and is delivered on a non-exclusive basis. It is loaned to the customer for their use only. It is not to be reproduced, distributed, or used in any way without the prior written consent of Amphenol Corporation. All rights are reserved. Amphenol Corporation shall not be held liable for any damages, including consequential damages, arising from the use of this document. For more information, please contact your local Amphenol sales office.



RECOMMENDED P.C.B. LAYOUT  
(TOLERANCE +/-0.03)



# Customer drawing

REVISONS		DATE	APPROVED
1	SWM EGN	04/03/10	JP
DESCRIPTION			
New release			

### D-SUB TECHNICAL DATA

**SHELL :** Steel 2.5um (100u") min tin over 1.25um (50u") min nickel  
**BODY :** Glass filled thermoplasti, high temperature  
 Flame retardant to UL94 V-0 Color Blue

**CONTACTS :** Brass  
 gold flash over 1.25um (50u") min nickel on mating area  
 2.50um (100u") min tin over nickel on solder area

**BOARDLOCK:** Brass, 100u" tin min over 50u" min nickel

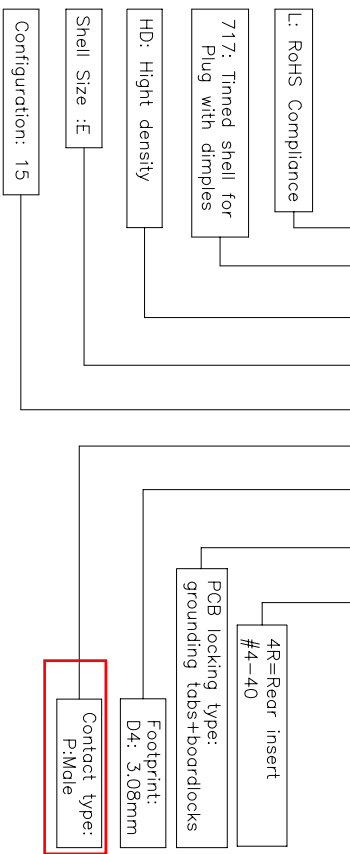
**REAR INSERT:** Brass, 50u" min nickel

**ELECTRICAL :** Voltage rating : 1000 V RMS at 50 Hz  
 Current rating 3A.  
 Insulation resistance >5000 M Ohms  
 Contact resistance 25 mOhms max.  
**CLIMATIC :** Temperature range -55 °C to 125°C

**MARKING :** Amphenol

### PRODUCT CODE

L 717 HDE 15 P D4 CH 4R



DIMENS OTHERWISE SPECIFIED		APPROVAL		DATE	
TOLERANCES	METRIC	DRAWN	DATE	DESIGNED	DATE
XX	+/-	0.30	04/03/10	146.using	04/03/10
XX	+/-	0.30		CHECKED	
XX	+/-	0.20			
ANGLES	+/-	2'			
FOR MATERIALS AND FINISHES					
REMOVE SHARP EDGES					
DIMENSIONS					
TOLERANCES					
DIMS.					
FINISH					
MARKING					
TITLE					
Right angle, 3.08mm footprint, HD series					
SIZE					
DRAWING NO.					
A4					
SCALE					
NONE					
REV.					
1					
SHEET 1 OF 1					

Amphenol