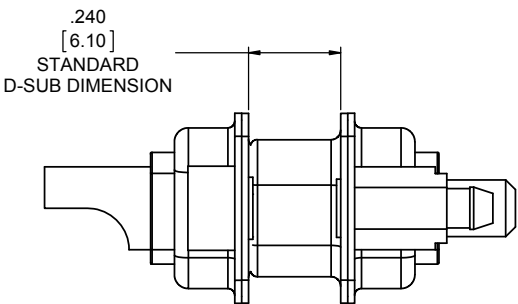
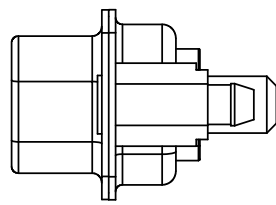
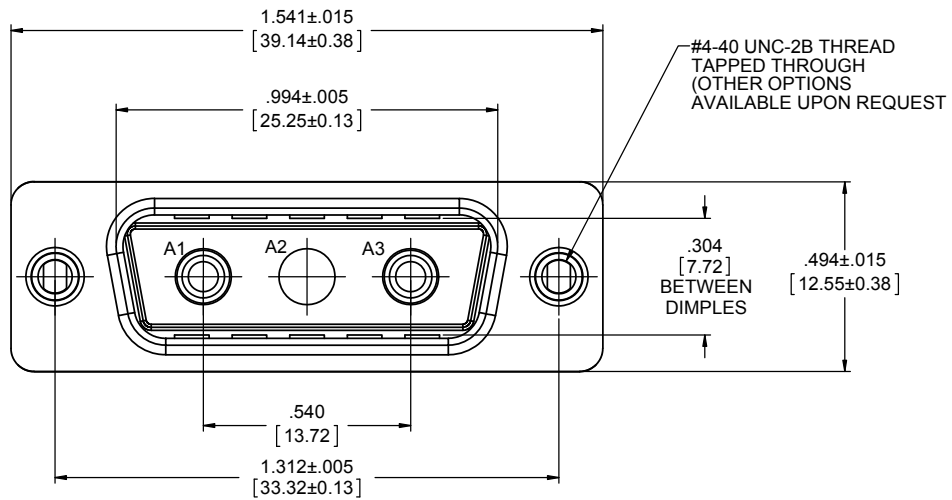
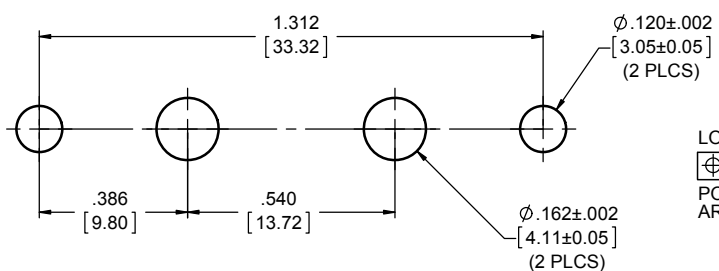
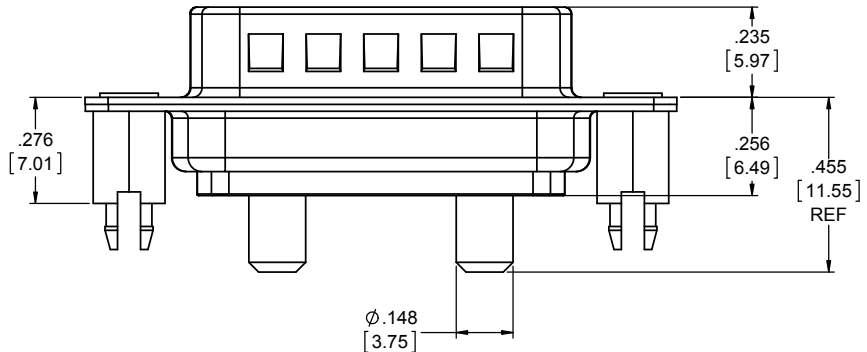


REVISIONS			
REV	DESCRIPTION, ECN, EAR NO.	DATE	APPD
A	PROPOSAL DRAWING (EAR 13920)	JUL28/11	S.M



END VIEW IN MATED CONDITION  
(MATED TO P/N LCC17-A3W3SM-4N1)



LOCATE HOLES  
 $\varnothing$  0.13[.005] DIA  
 POSITION DIMENSIONS ARE BASIC

NOTE:

- MATERIALS: ALL MATERIALS ARE RoHS COMPLIANT PER EU DIRECTIVE 2002/95/EC AND AMENDMENTS.
  - SHELLS - STAMPED STEEL, TIN OVER NICKEL PLATED
  - INSULATOR - ENGINEERING THERMOPLASTIC, GLASS REINFORCED, HIGH TEMPERATURE RESISTANT, UL FLAMMABILITY RATING 94V-0, BLACK
  - CONTACTS - COPPER ALLOY, PLATED WITH NICKEL FOLLOWED BY 30 µm [0.76 µm] GOLD ON THE MATING AREA AND GOLD ON THE TAILS
  - BOARDLOCK - COPPER ALLOY, TIN PLATED
- ELECTRICAL CHARACTERISTICS
  - CURRENT RATING: 55 A PER CONTACT
  - CONTACT RESISTANCE: 5 MILLIOHMS MAX
  - OPERATING TEMPERATURE: -40°C TO +105°C

PART NUMBER: LCC17-A3W3PE-AN1

**Amphenol Canada Corp.**

LCC17 COOLPOWER D-SUB CONNECTOR, 3W3 ARRANGEMENT, PIN PCB TAIL POWER, #4-40 THREAD, BOARDLOCK, CONTACTS IN A1 & A3 ONLY, RoHS COMPLIANT

UNLESS SPECIFIED OTHERWISE	DRAWN	S.CAELERS	JUL28/11
PRIMARY UNITS INCHES	CHECKED	S.MUGAN	JUL28/11
SECONDARY MILLIMETERS	M.E. APPD		
REFERENCE IN PARENTHESES	Q.A. APPD		
GENERAL TOLERANCES	DWG APPR.		
1 DECIMAL PLACE	ENG. REL. NO.	EAR 13920	
2 DECIMAL PLACES	REF.		
3 DECIMAL PLACES	THIRD ANGLE PROJECTION		
ANGULAR DEGREES	DO NOT SCALE DRAWING		

DWG. NO.	REV
P-LCC17-A3W3PE-AN1	A
CODE ID NO. 03554	DWG SIZE: C
SCALE: 4:1	SHEET 1 OF 1