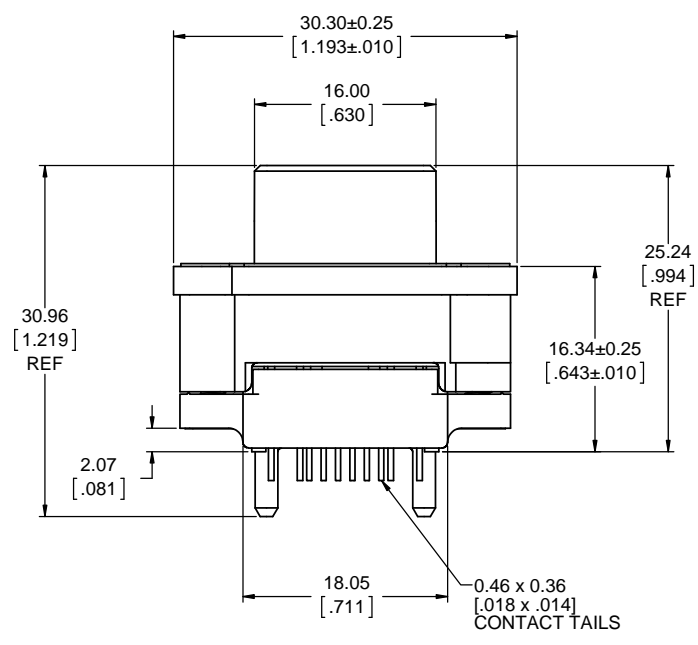
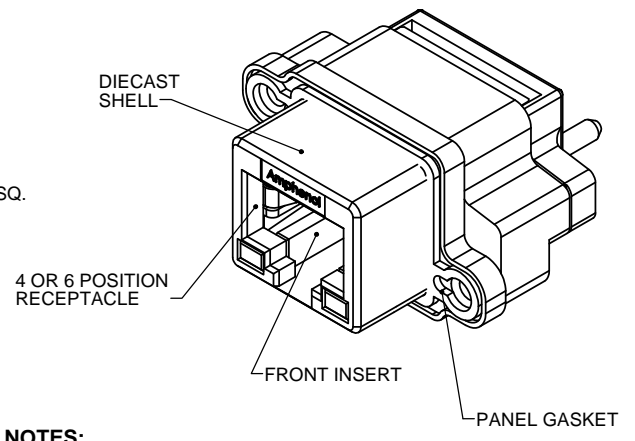
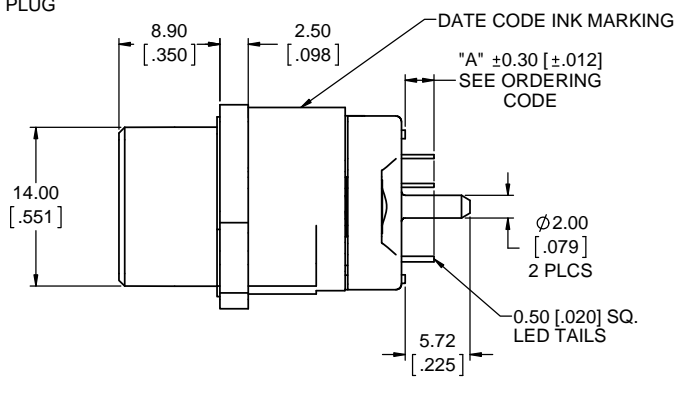
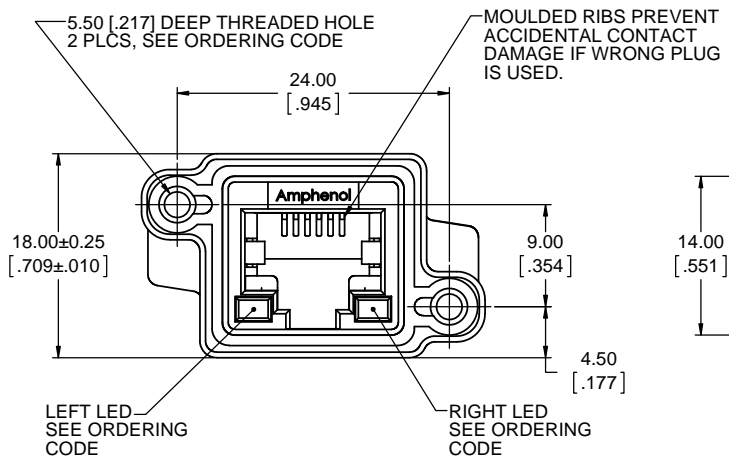


| REVISIONS |                              |          |       |
|-----------|------------------------------|----------|-------|
| REV       | DESCRIPTION, ECN, EAR NO.    | DATE     | APP'D |
| B         | PRODUCT DRAWING (EAR 14091)  | JUL24/12 | K.L.  |
| C         | PRODUCT DRAWING (ECN E12460) | DEC12/12 | K.L.  |



**ORDERING CODE: MRJR - 34 X X - X F**

SERIES RUGGED RJ

RJ 11 RECEPTACLE, VERTICAL PCB TAIL

NUMBER OF CONTACTS  
4 = 4 CONTACTS  
6 = 6 CONTACTS

LED OPTION  
0 = NONE  
1 = LEFT GREEN, RIGHT YELLOW  
4 = LEFT YELLOW, RIGHT GREEN  
5 = LEFT GREEN, RIGHT GREEN

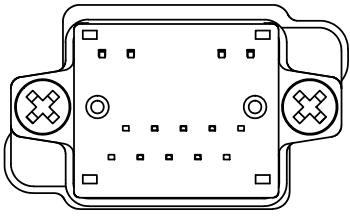
TAIL LENGTH & MOUNTING HOLE THREAD OPTION  
0="A" 2.54 [.100], #4-40 UNC  
B="A" 3.81 [.150], #4-40 UNC  
M="A" 2.54 [.100], M3 x 0.5  
P="A" 3.81 [.150], M3 x 0.5

SINGLE PORT WITH THREADED MOUNTING HOLES

**SPECIAL CONNECTORS**  
MANY UNIQUE FEATURES ARE READILY AVAILABLE TO SUIT CUSTOMER REQUIREMENTS. CONSULT WITH AMPHENOL CANADA FOR DETAILS.

**NOTES:**

- MATERIAL:  
ALL MATERIALS ARE RoHS COMPLIANT PER EU DIRECTIVE 2011/65/EU AND AMENDMENTS
  - SHELL - DIECAST ZINC, NICKEL PLATED
  - CONTACTS - PHOSPHOR BRONZE WITH 1.27µm [50µ"] MIN. GOLD OVER 1.27µm [50µ"] MIN. NICKEL ON THE MATING AREA AND MATTE TIN OVER NICKEL ON THE CONTACT TAILS.
  - INSERTS - ENGINEERING THERMOPLASTIC, UL94V-0, REAR INSERTS: BLACK NYLON, FRONT INSERT: CLEAR POLYCARBONATE.
  - GASKET: SILICONE RUBBER, CONDUCTIVE, BLACK.
  - LED'S - EPOXY LENS, STEEL TAILS WITH TIN PLATING.
- ENVIRONMENTAL PERFORMANCE PER IEC 60529 CODE IP67 FOR SEAL BETWEEN MATING AREA AND PCB SIDE OF CONNECTOR. GASKET PROVIDES SEAL TO INSIDE FACE OF PANEL.
- CURRENT RATING: 1.5 AMPERES.
- CONTACT RESISTANCE: 30 MILLIOHMS MAXIMUM.
- OPERATING TEMPERATURE: -40°C TO +105°C.
- LED CHARACTERISTICS: FORWARD DC CURRENT 25 mA MAX., FORWARD VOLTAGE 2.5V MAX. @ 2 mA.
- RECOMMENDED TORQUE FOR PANEL MOUNT SCREWS: 0.45 TO 0.65 N-m (4.0 TO 5.75 IN-LBS) FOR STEEL SCREWS WITH 3.00 (.118) THREAD ENGAGEMENT.
- CUSTOMER TO VERIFY THAT ALL PROCESS CLEANERS ARE COMPATIBLE WITH POLYCARBONATE MATERIAL.
- AVAILABLE MATING AREA COVERS PROVIDE ADDED PROTECTON. CONSULT WITH AMPHENOL CANADA FOR DETAILS.



|                            |                        |           |          |
|----------------------------|------------------------|-----------|----------|
| UNLESS SPECIFIED OTHERWISE | DRAWN                  | A.ESPIE   | JUN07/12 |
| PRIMARY UNITS MILLIMETERS  | CHECKED                |           |          |
| SECONDARY INCHES           | M.E. APP'D             |           |          |
| REFERENCE IN PARENTHESES   | Q.A. APP'D             |           |          |
| GENERAL TOLERANCES         | DWG APPR.              | K.LAMBIE  | JUN12/12 |
| 1 DECIMAL PLACE            | ENG. REL. NO.          | EAR 14091 |          |
| 2 DECIMAL PLACES ±0.15     | REF.                   |           |          |
| 3 DECIMAL PLACES           | THIRD ANGLE PROJECTION |           |          |
| ANGULAR DEGREES            | DO NOT SCALE DRAWING   |           |          |

**Amphenol Canada Corp.**  
www.amphenolcanada.com

MRJR SERIES RUGGED MODULAR JACK, 6 POSITION, 4 OR 6 CONTACTS, VERTICAL PCB TAIL, OPTIONS FOR LED, THREAD & TAIL LENGTH, RoHS COMPLIANT

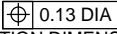
DWG. NO. **P-MRJR-34XX-XF** REV **C**

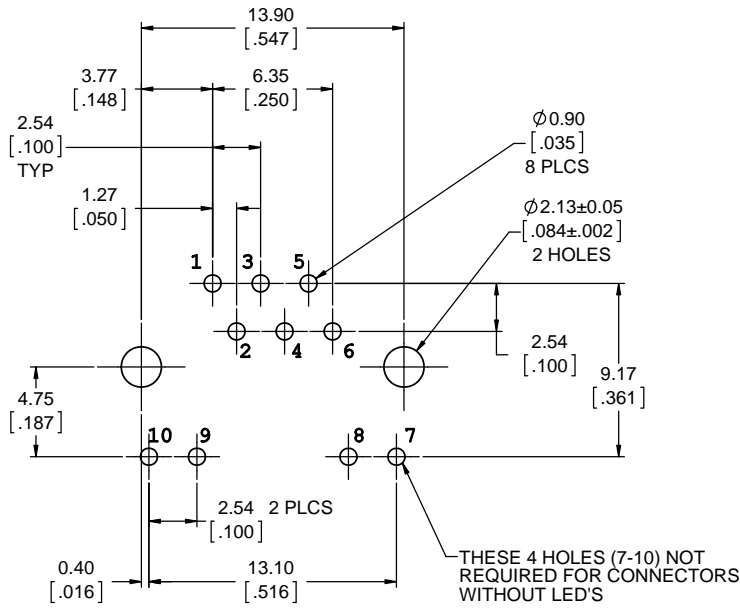
CODE ID NO. 03554 DWG SIZE: X SCALE: 3:1 SHEET 1 OF 2

**RECOMMENDED PCB LAYOUT**  
COMPONENT SIDE OF BOARD

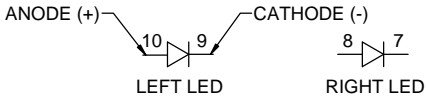
| REVISIONS |                              |          |       |
|-----------|------------------------------|----------|-------|
| REV       | DESCRIPTION, ECN, EAR NO.    | DATE     | APP'D |
| B         | PRODUCT DRAWING (EAR 14091)  | JUL24/12 | K.L.  |
| C         | PRODUCT DRAWING (ECN E12460) | DEC12/12 | K.L.  |

**6 POSITION VIEW**

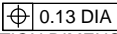
LOCATE HOLES  
 0.13 DIA  
 POSITION DIMENSIONS ARE BASIC.

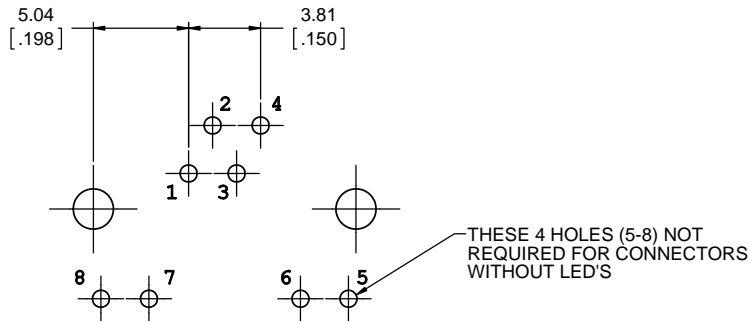


**6 POSITION LED SCHEMATIC**  
GREEN OR YELLOW

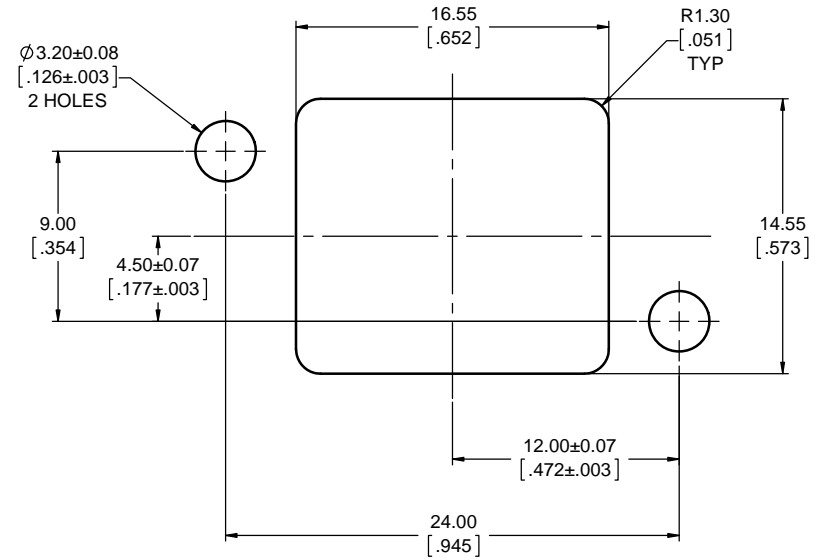
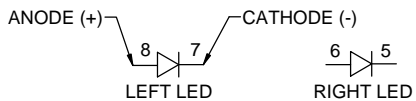


**4 POSITION VIEW**

LOCATE HOLES  
 0.13 DIA  
 POSITION DIMENSIONS ARE BASIC.

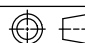


**4 POSITION LED SCHEMATIC**  
GREEN OR YELLOW



**RECOMMENDED PANEL CUTOUT**  
OUTSIDE PANEL VIEW



|                            |                        |   |                      |
|----------------------------|------------------------|---|----------------------|
| UNLESS SPECIFIED OTHERWISE | DRAWN                  | A.ESPIE   | JUN07/12             |
| PRIMARY UNITS MILLIMETERS  | CHECKED                | M.E. APP'D  |                      |
| SECONDARY UNITS INCHES     | Q.A. APP'D             |   |                      |
| REFERENCE IN PARENTHESES   | DWG APPR.              | K.LAMBIE  | JUN12/12             |
| GENERAL TOLERANCES         | ENG. REL. NO.          | EAR 14091   |                      |
| 1 DECIMAL PLACE            | REF.                   |   |                      |
| 2 DECIMAL PLACES ±0.15     | THIRD ANGLE PROJECTION |  | DO NOT SCALE DRAWING |
| 3 DECIMAL PLACES           |                        |   |                      |
| ANGULAR DEGREES            |                        |   |                      |

|   |                |            |              |
|---|----------------|------------|--------------|
| <b>Amphenol Canada Corp.</b><br>www.amphenolcanada.com  |                |            |              |
| MRJR SERIES RUGGED MODULAR JACK,<br>6 POSITION, 4 OR 6 CONTACTS, VERTICAL<br>PCB TAIL, OPTIONS FOR LED, THREAD &<br>TAIL LENGTH, RoHS COMPLIANT |                |            |              |
| DWG. NO.  | P-MRJR-34XX-XF |            | REV<br>C     |
| CODE ID NO. 03554   | DWG SIZE: X    | SCALE: 5:1 | SHEET 2 OF 2 |