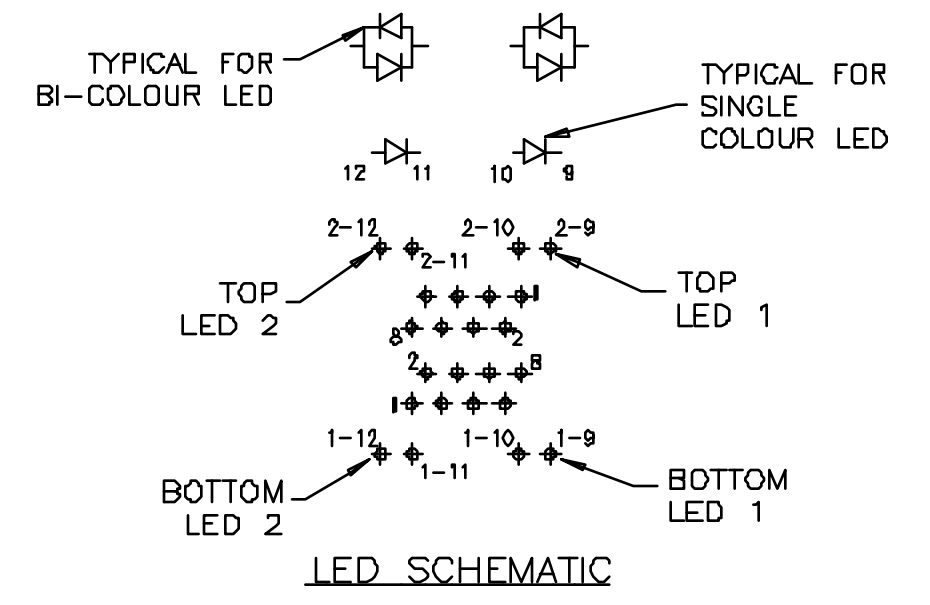
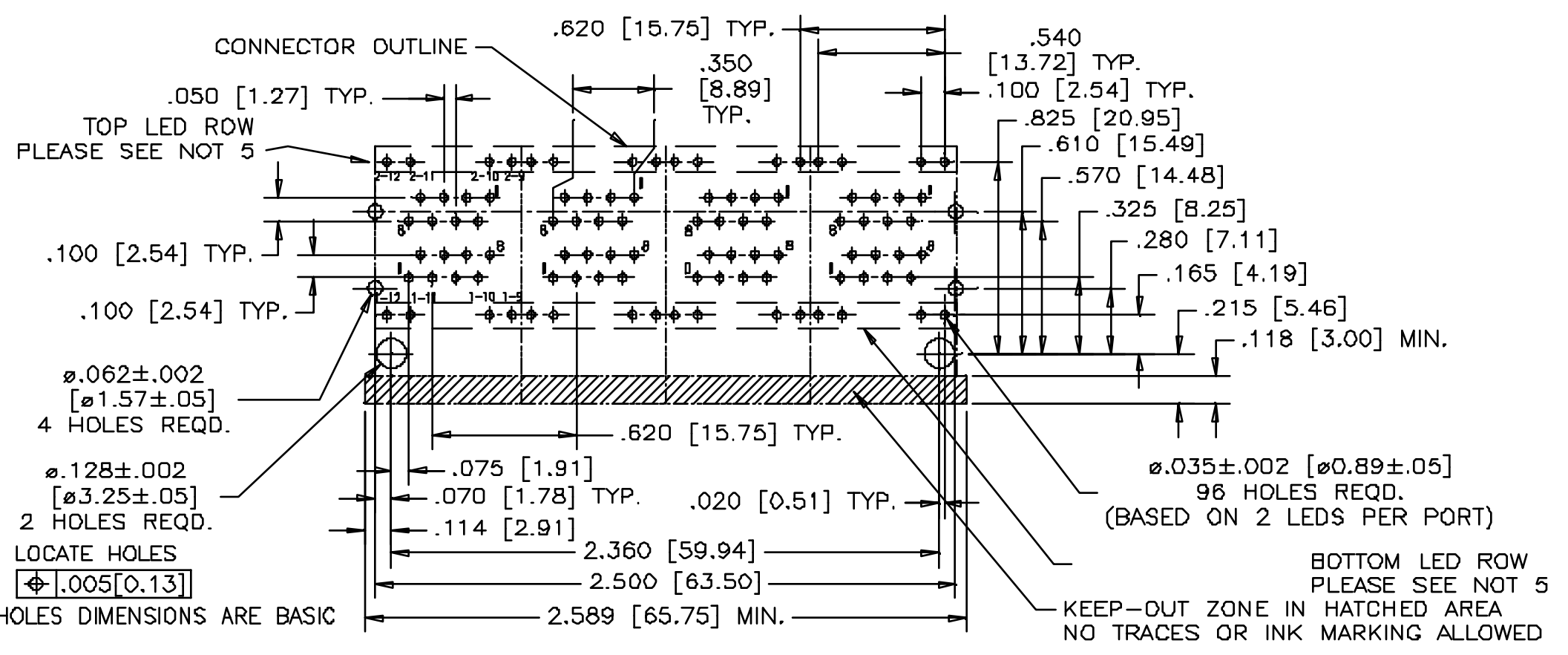
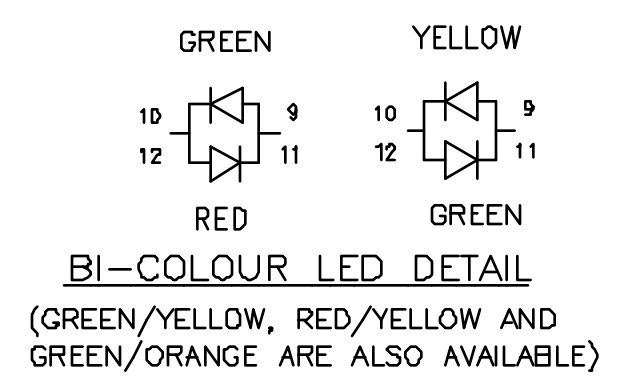
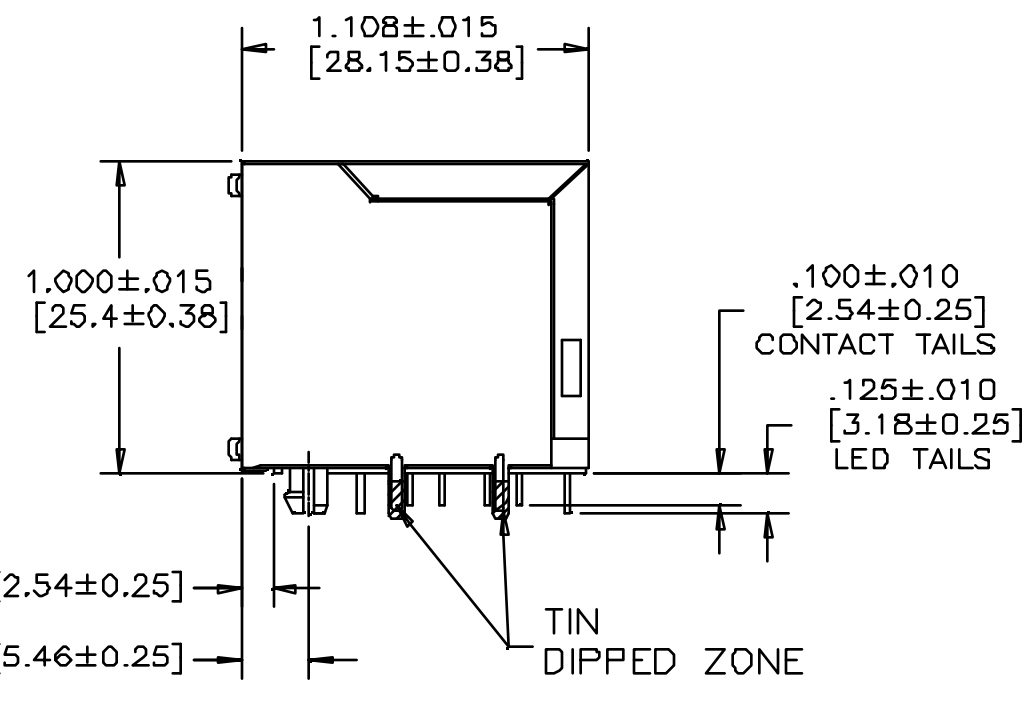
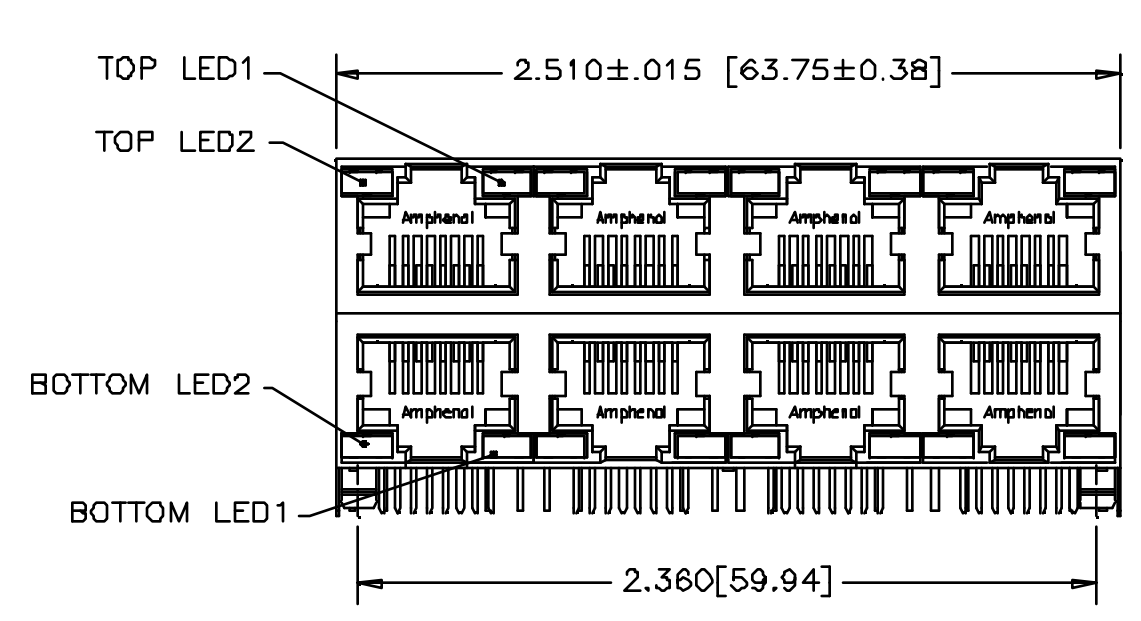
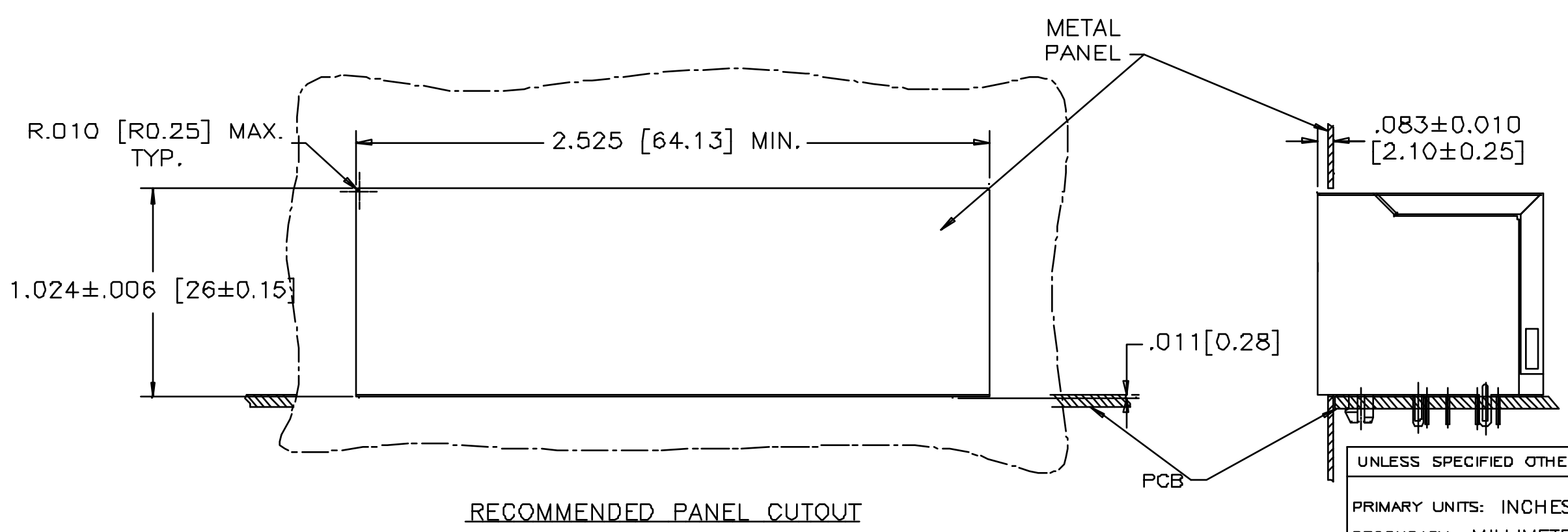


REVISIONS			
REV	DESCRIPTION, ECN, EAR NO.	DATE	APP'D
A	PROPOSAL	MAY.18/16	LCHAN



NOTES:

- MATERIALS**  
 HOUSING: ENGINEERING THERMOPLASTIC.  
 COLOUR: BLACK. FLAMMABILITY RATING UL 94V-0  
 CONTACTS: PHOSPHOR BRONZE  
 PLATING: 6 μm [0.1524 MICRONS] MIN. GOLD ON MATING SURFACES.  
 50 μm [1.27 MICRONS] MIN. NICKEL UNDERPLATE  
 100 μm [2.54 MICRONS] MIN. MATTE-TIN ON CONTACT TAILS.  
 SHIELD: COPPER ALLOY NICKEL PLATED WITH TIN DIPPED TAIL.
- RECOMMENDED SOLDERING TEMPERATURE:**  
 WAVE SOLDERING TEMPERATURE AT 260°C MAXIMUM FOR 10 SEC MAXIMUM
- AMPHENOL PART NUMBER: RJSNE-GF8X-08**



UNLESS SPECIFIED OTHERWISE	DRAWN Jack Guo	MAY18.16
PRIMARY UNITS: INCHES	CHECKED	
SECONDARY: MILLIMETERS	M.E. APP'D	
	Q.A. APP'D	
	DWG APP'D L.CHAN	MAY18.16
1 DECIMAL PLACE	ENG. REL. NO.	
2 DECIMAL PLACES ±.015	REF.	
3 DECIMAL PLACES	THIRD ANGLE PROJECTION	DO NOT SCALE DRAWING
ANGULAR DEGREES		

Amphenol Canada Corp. www.amphenolcanada.com			
STACKABLE MODULAR JACK 2X4 PORTS, 8 POSITIONS, 8 CONTACTS, WITH LEDS, SHIELDED, TRAY PACKAGING -RoHS COMPLIANT			
DWG NO.	P-RJSNE-GF8X-08		REV A
CODE ID NO. 03554	DWG SIZE	SCALE	SHEET II OF II

THIS DOCUMENT CONTAINS PROPRIETARY INFORMATION AND SUCH INFORMATION MAY NOT BE DISCLOSED TO OTHERS FOR ANY PURPOSE OR USED FOR MANUFACTURING PURPOSES WITHOUT WRITTEN PERMISSION FROM AMPHENOL CANADA CORP.