

4

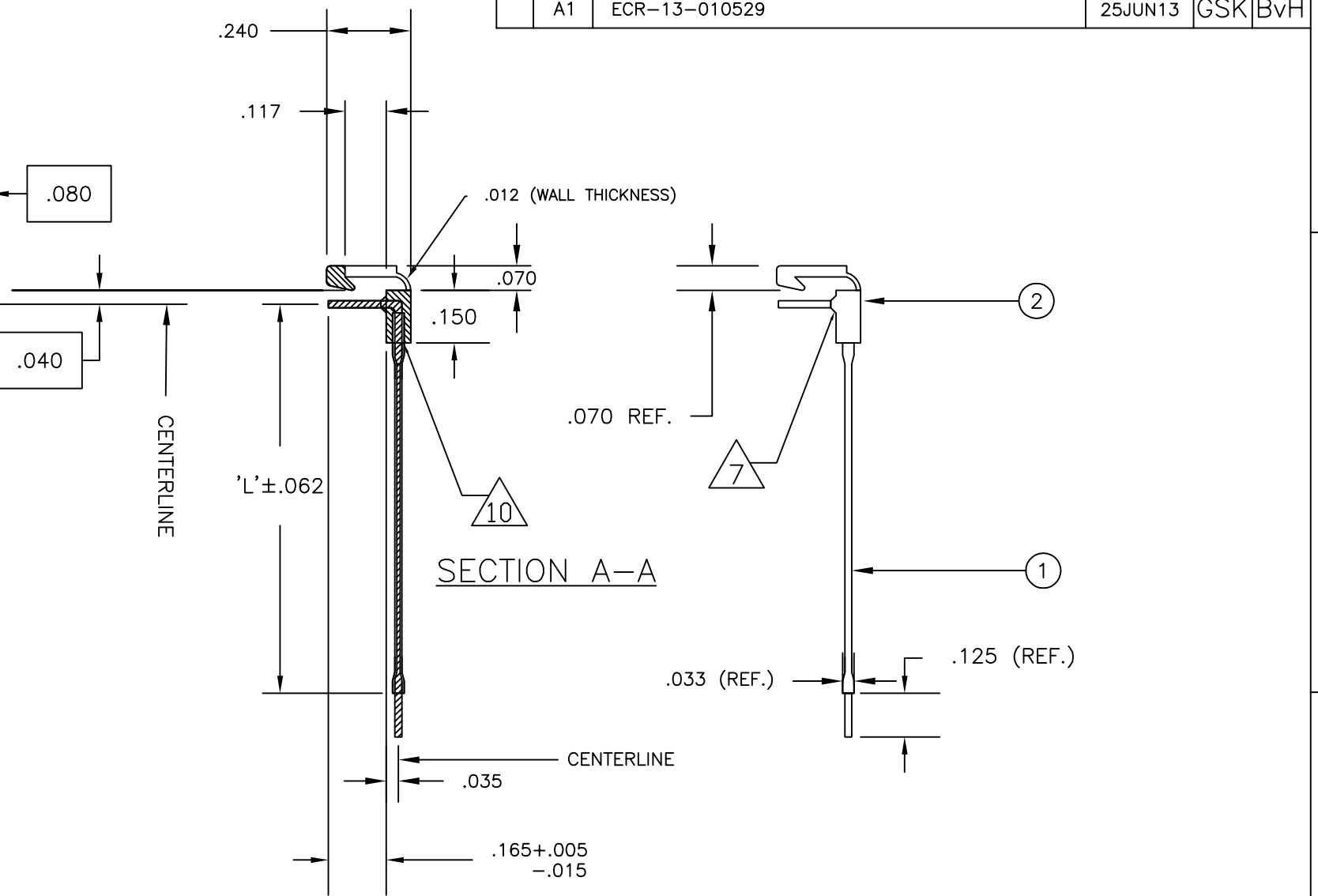
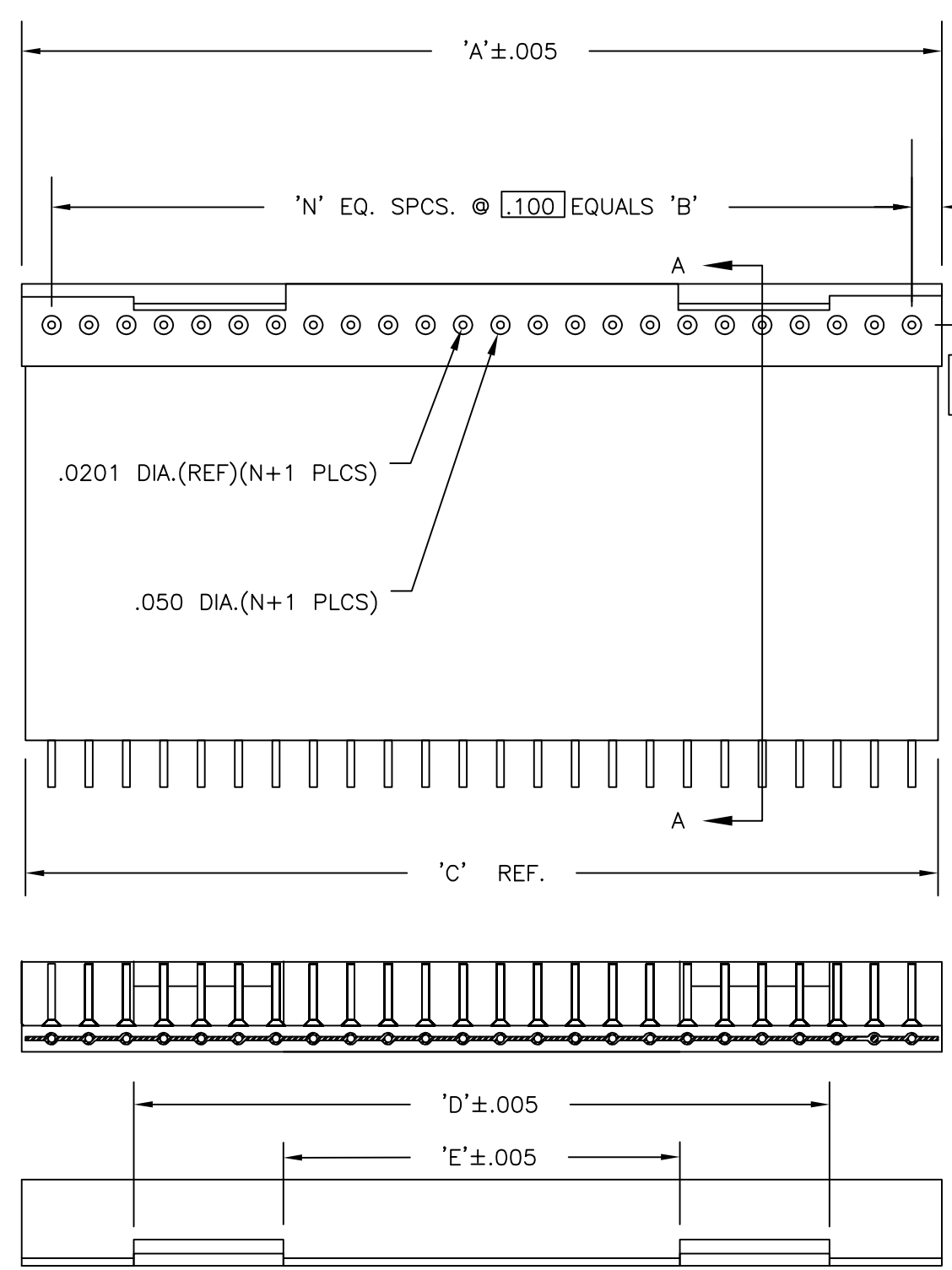
3

2

1

THIS DRAWING IS UNPUBLISHED. RELEASED FOR PUBLICATION  
 © COPYRIGHT - By - ALL RIGHTS RESERVED.

LOC	DIST	REVISIONS			
P	LTR	DESCRIPTION	DATE	DWN	APVD
GP	00				
	A	NEW RELEASE	12MAR03	ECC	FDM
	A1	ECR-13-010529	25JUN13	GSK	BvH



A/R	PART NUMBER	DESCRIPTION	ITEM
A/R	1474098-1	NYLON OVERMOLD	2
A/R	1474119-X	FLEXSTRIP JUMPER	1

THIS DRAWING IS A CONTROLLED DOCUMENT.

DWN	E.C. CLAYBAUGH	12/MAR/03		NAME HEADER, FLEXSTRIP OVERMOLD SERIES		
CHK	F.D. McCORKEL	12/MAR/03				
APVD	F.D. McCORKEL	03/APR/03				
PRODUCT SPEC						
APPLICATION SPEC			SIZE	CAGE CODE	DRAWING NO	RESTRICTED TO
MATERIAL			A3	00779	1474532	
CUSTOMER DRAWING			SCALE	SHEET	REV	
			N.T.S.	1 of 4	A1	

DIMENSIONS:	TOLERANCES UNLESS OTHERWISE SPECIFIED:
INCHES	
0 PLC	± -
1 PLC	± -
2 PLC	± -
3 PLC	± .002
4 PLC	± -
ANGLES	± -
FINISH	

4

3

2

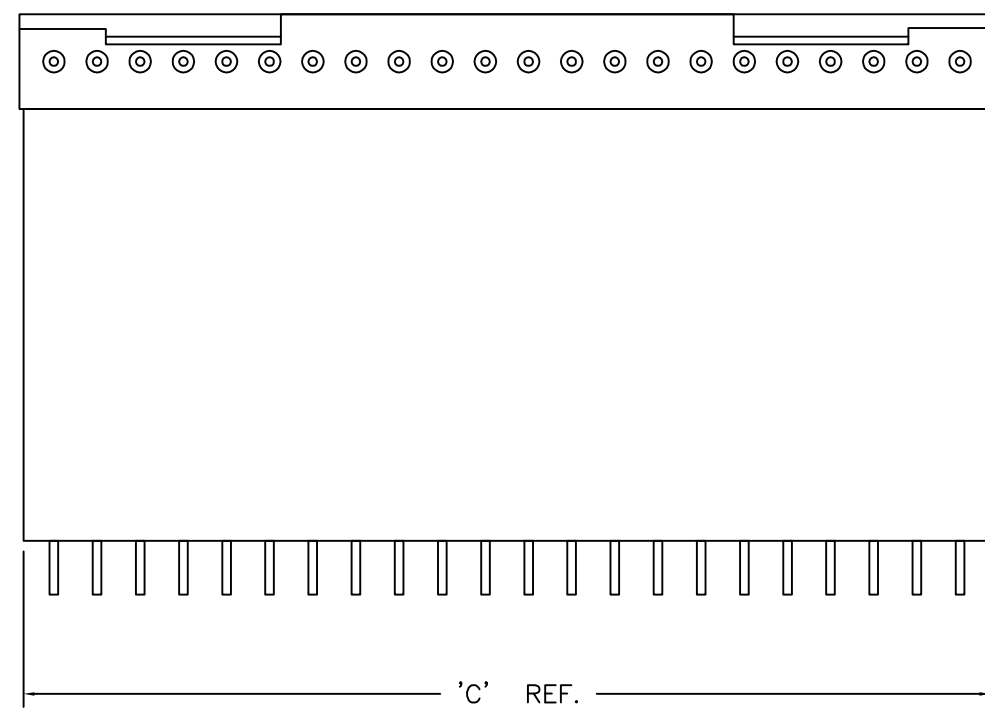
1

THIS DRAWING IS UNPUBLISHED.      RELEASED FOR PUBLICATION      - , - .  
 © COPYRIGHT - By -      ALL RIGHTS RESERVED.

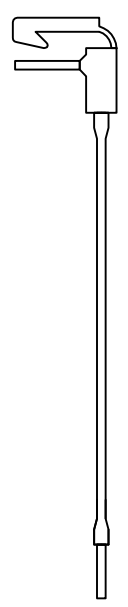
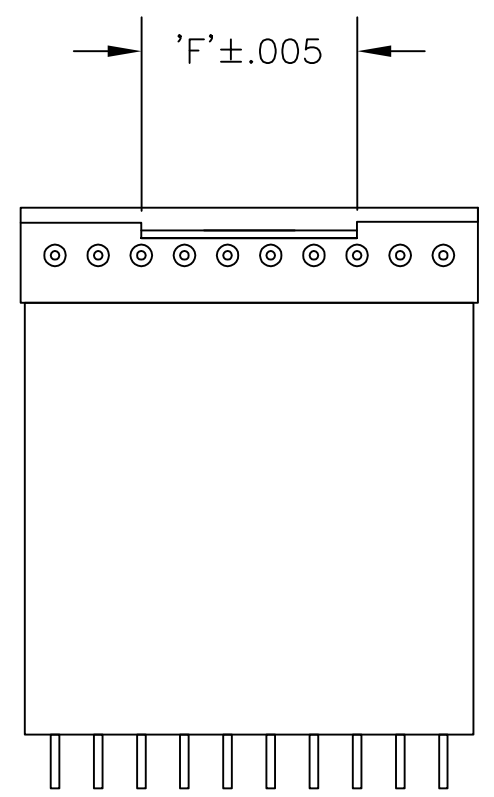
LOC	DIST	REVISIONS				
P	LTR	DESCRIPTION	DATE	DWN	APVD	
GP	00	SEE SHEET 1	-	-	-	

DIMENSIONS						
N	A	B	C	D	E	F
8	.860	.700	.850	-	-	.400
9	.960	.800	.950	-	-	.500
10	1.060	.900	1.050	-	-	.500
-	-	-	-	-	-	-
14	1.460	1.300	1.450	1.060	.260	-
16	1.660	1.500	1.650	1.060	.260	-
18	1.860	1.700	1.850	1.460	.860	-
20	2.060	1.900	2.050	1.460	.860	-
22	2.260	2.100	2.250	1.660	1.060	-
24	2.460	2.300	2.450	1.860	1.060	-

LATCH CONFIGURATION FOR 14,16,18,20 & 22



LATCH CONFIGURATION FOR 8,9,10



SERIES NUMBER      FH - X      XXXX      X      X  
 INSULATION MATERIAL      N = NOMEX  
    P = POLYESTER  
    T = TEFLON  
    K = KAPTON  
 NUMBER OF CONDUCTORS  
 ( 8,9,10,14,16,18,20,22,24 )  
 RIGHT END CONFIGURATION  
 SEE SHEET 3.  
 LENGTH OF HEADER ( "L" )  
 ( .75 TO 31.0 INCHES )

THIS DRAWING IS A CONTROLLED DOCUMENT.		DWN	12/MAR/03	TE Connectivity	
		CHK	12/MAR/03		
DIMENSIONS: INCHES		F.D. McCORKEL		NAME	
TOLERANCES UNLESS OTHERWISE SPECIFIED:		APVD			
0 PLC ± - 1 PLC ± - 2 PLC ± - 3 PLC ± .002 4 PLC ± - ANGLES ± -		F.D. McCORKEL		HEADER, FLEXSTRIP OVERMOLD SERIES	
MATERIAL		PRODUCT SPEC		SIZE	
FINISH		APPLICATION SPEC		CAGE CODE	
		WEIGHT		DRAWING NO	
		CUSTOMER DRAWING		A3 00779	
				DRAWING NO	
				RESTRICTED TO	
				SCALE	
				SHEET	
				REV	
				N.T.S.	
				2 of 4	
				A1	

THIS DRAWING IS UNPUBLISHED.

RELEASED FOR PUBLICATION

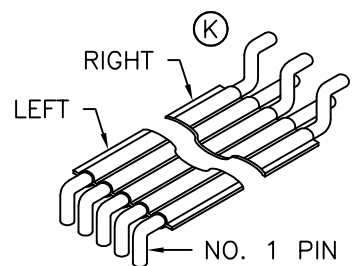
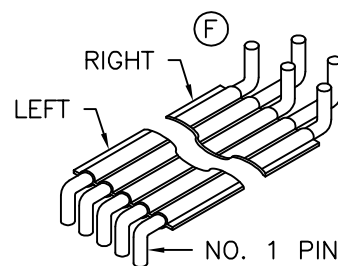
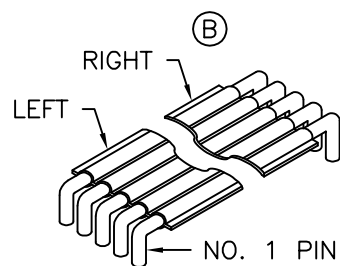
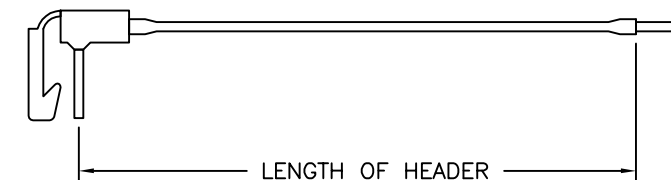
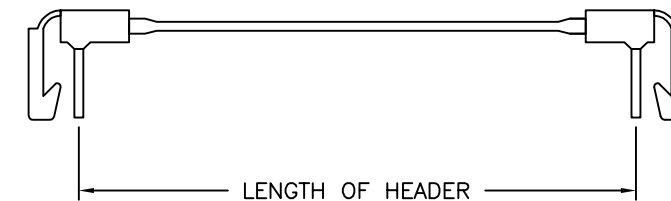
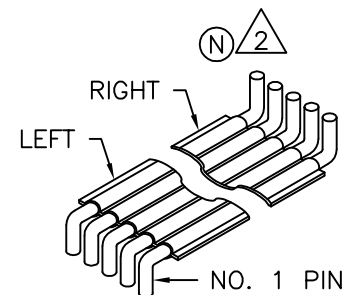
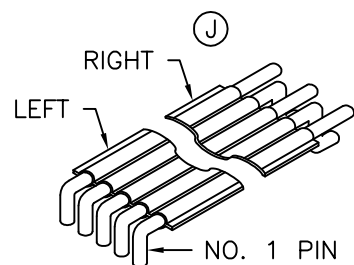
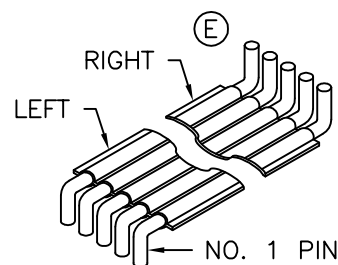
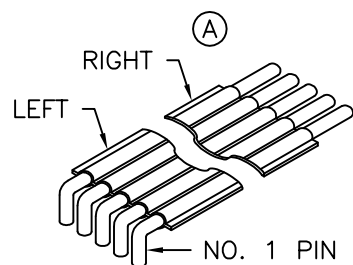
ALL RIGHTS RESERVED.

© COPYRIGHT - By -

LOC GP DIST 00

REVISIONS

P	LTR	DESCRIPTION	DATE	DWN	APVD
-	-	SEE SHEET 1	-	-	-



NOTES: UNLESS OTHERWISE SPECIFIED.

1. ALL LEFT END PIN LENGTHS ARE .190  
ALL RIGHT END PIN LENGTHS PER 1474339.

2. PIN LENGTHS ARE .175 BOTH ENDS FOR CONFIGURATION (M) AND (N).

3. IF FLEXSTRIP HEADER, FH IS MOLDED ON ONE END,  
FLEXSTRIP MATERIAL IS .04 SHORTER.  
IF BOTH ENDS MOLDED, FLEXSTRIP MATERIAL IS .08 SHORTER.

4. T&B REF. - ALSO APPLIES TO D5697-XX, D5548-XX, AND 55D006.

5. .100 CENTERLINE, ONLY.

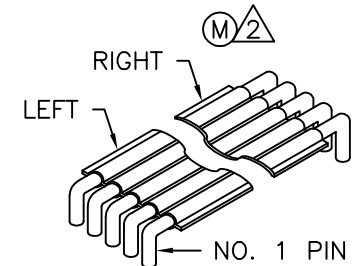
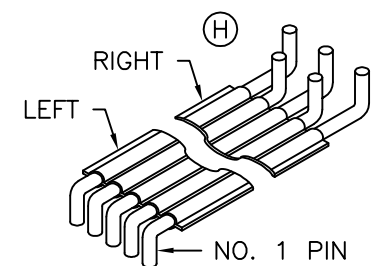
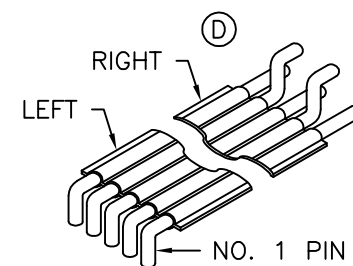
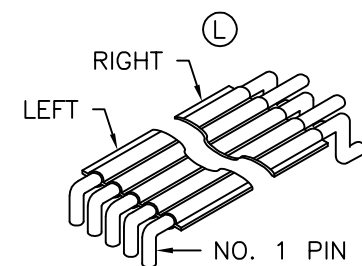
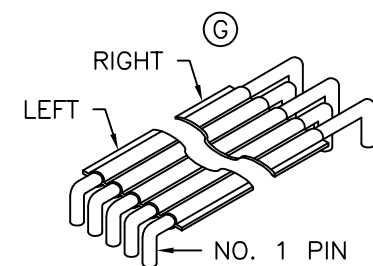
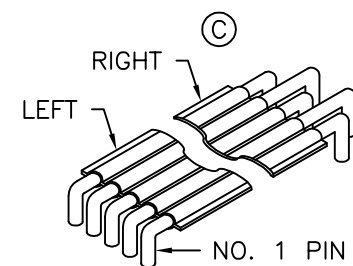
6. MIN. BEND RADIUS OF .020 INCHES.

7. NO FLASH PERMITTED.

8. ALL RADII .005 MAX.

9.

10. FLASH TO BE .100 MAX. ALLOWED THIS SURFACE.



PART NUMBER	QTY.	DESCRIPTION	ITEM
FSK2-XX.XX SK	A.R.	FLEXSTRIP, KAPTON	4
A5721-XX.XX	A.R.	FLEXSTRIP, TEFLON SPECIAL	3
FSP2-XX.XX SK	A.R.	FLEXSTRIP, POLYESTER	2
FSN2-XX.XX SK	A.R.	FLEXSTRIP, NOMEX	1

SHOWN WITHOUT LEFT END OVERMOLD FOR CLARITY.

THIS DRAWING IS A CONTROLLED DOCUMENT.

DIMENSIONS: INCHES	TOLERANCES UNLESS OTHERWISE SPECIFIED:
0 PLC	± -
1 PLC	± -
2 PLC	± -
3 PLC	± .002
4 PLC	± -
ANGLES	± -

MATERIAL	FINISH
-	-

DWN 12/MAR/03  
E.C. CLAYBAUGH  
CHK 12/MAR/03  
F.D. McCORKEL

APVD 04/APR/03  
F.D. McCORKEL  
PRODUCT SPEC

APPLICATION SPEC

WEIGHT -

TE Connectivity

NAME  
FLEXSTRIP JUMPER, SPECIAL OVERMOLD SERIES

SIZE A3 CAGE CODE 00779 DRAWING NO. 1474532 RESTRICTED TO -

CUSTOMER DRAWING SCALE N.T.S. SHEET 3 of 4 REV A1

THIS DRAWING IS UNPUBLISHED.

RELEASED FOR PUBLICATION

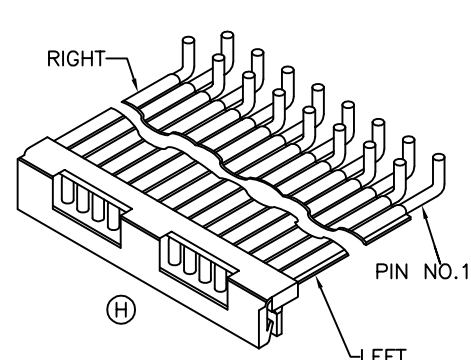
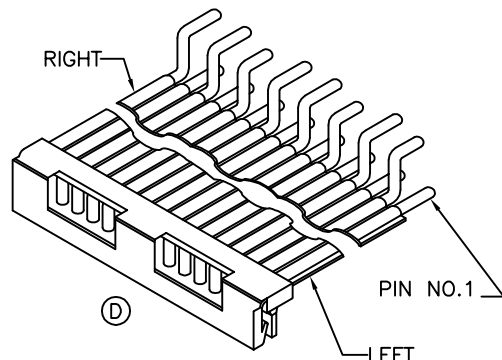
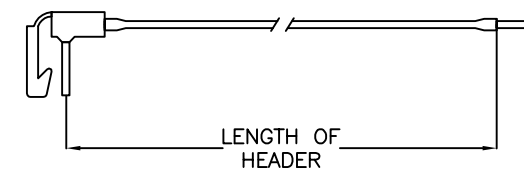
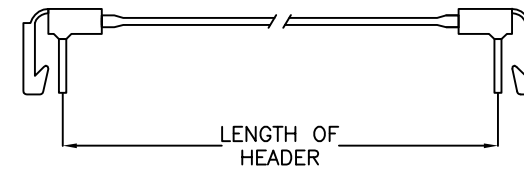
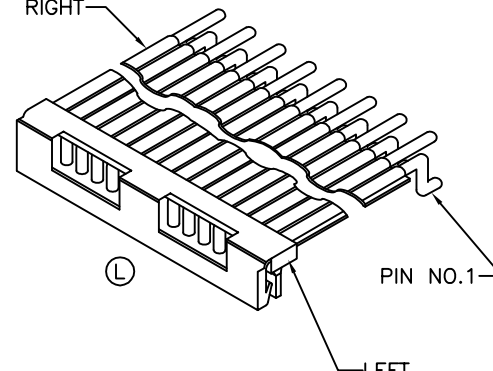
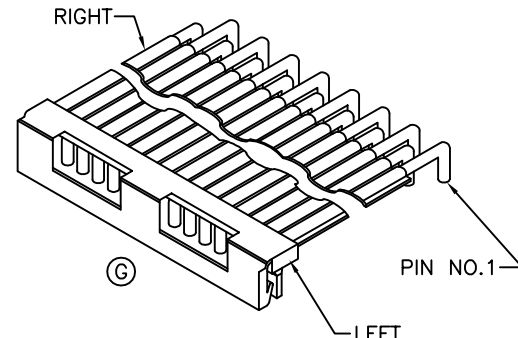
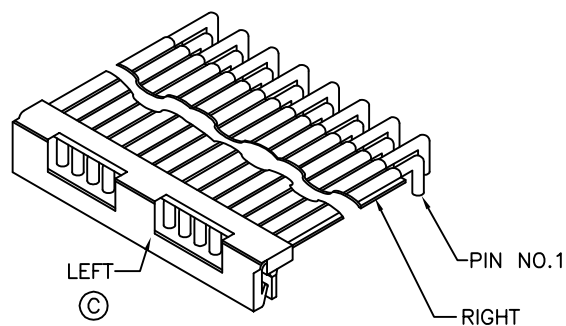
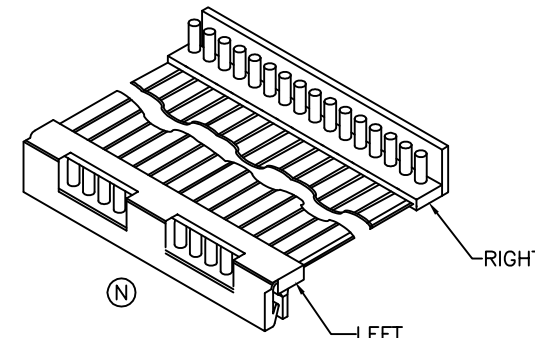
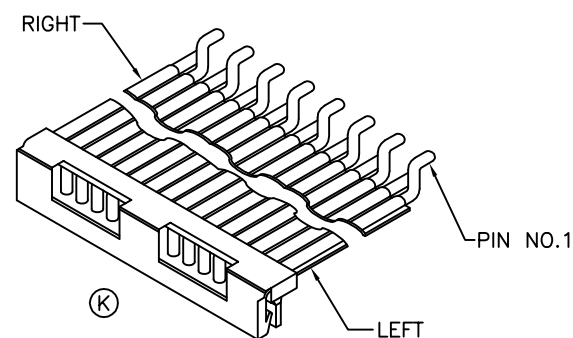
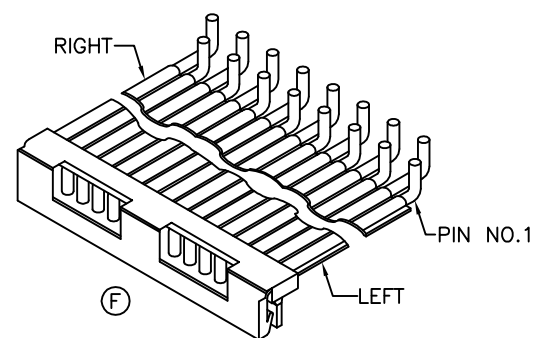
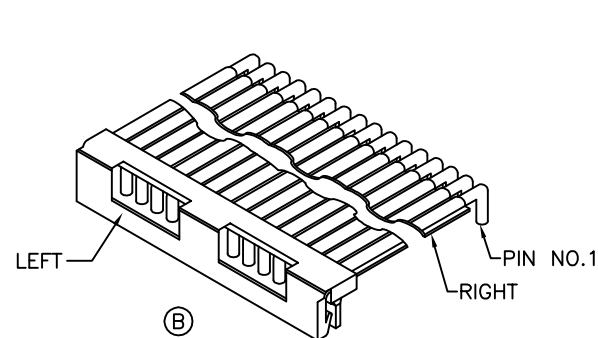
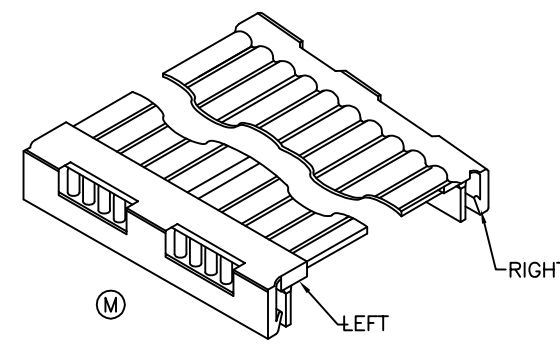
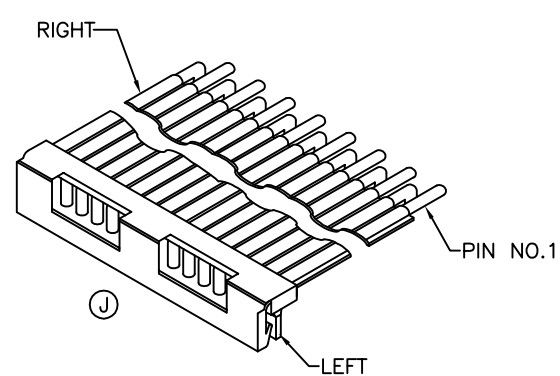
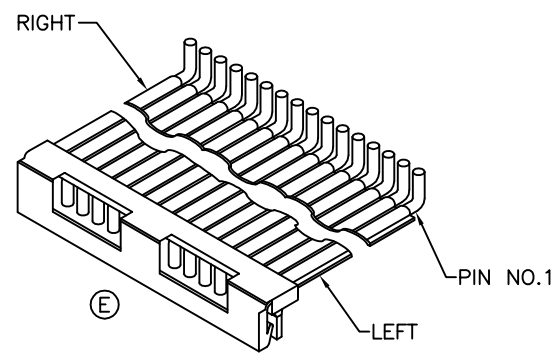
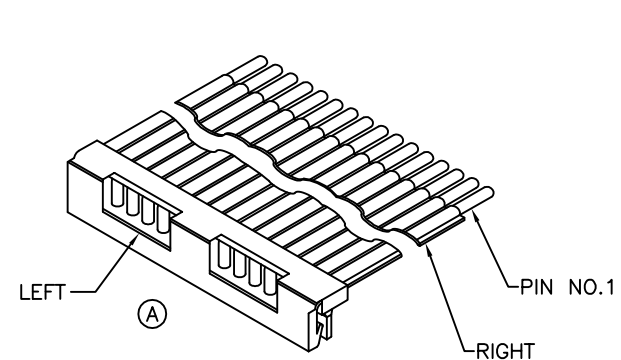
ALL RIGHTS RESERVED.

© COPYRIGHT - By -

LOC GP DIST 00

REVISIONS

P	LTR	DESCRIPTION	DATE	DWN	APVD
-	-	SEE SHEET 1	-	-	-



LATCH CONFIGURATION

THIS DRAWING IS A CONTROLLED DOCUMENT.		DWN 12/MAR/03 E.C. CLAYBAUGH		
		CHK 12/MAR/03 F.D. MCCORKEL		
		APVD 12/MAR/03 F.D. MCCORKEL	NAME	
DIMENSIONS: INCHES 		PRODUCT SPEC	HEADER, FLEXSTRIP OVERMOLD SERIES	
TOLERANCES UNLESS OTHERWISE SPECIFIED: 0 PLC ± - 1 PLC ± - 2 PLC ± - 3 PLC ± - 4 PLC ± - ANGLES ± -		APPLICATION SPEC	RESTRICTED TO	
MATERIAL		WEIGHT	SIZE A3	CAGE CODE 00779
		CUSTOMER DRAWING	DRAWING NO. 1474532	REV A1
			SCALE N.T.S.	SHEET 4 of 4