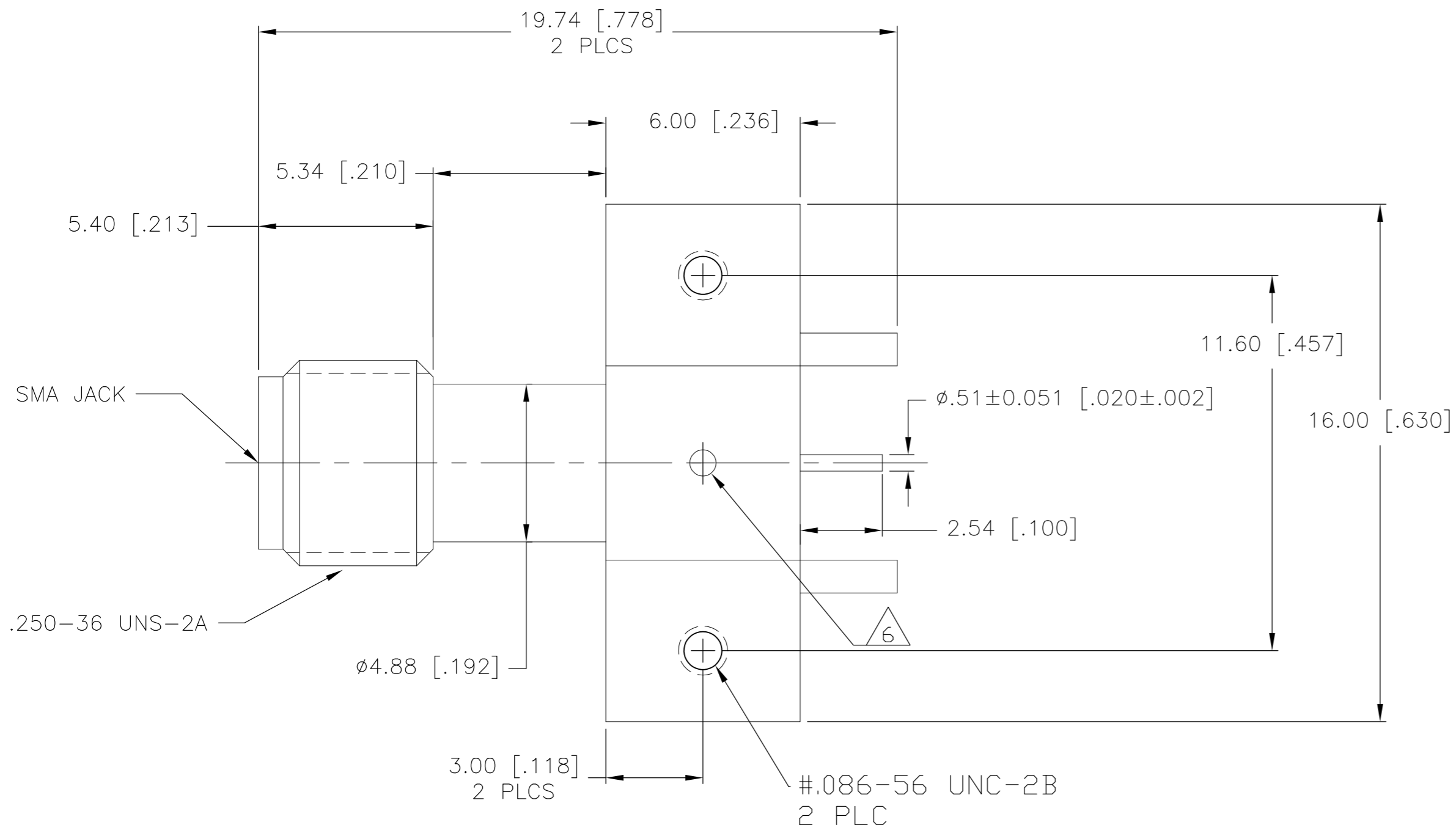
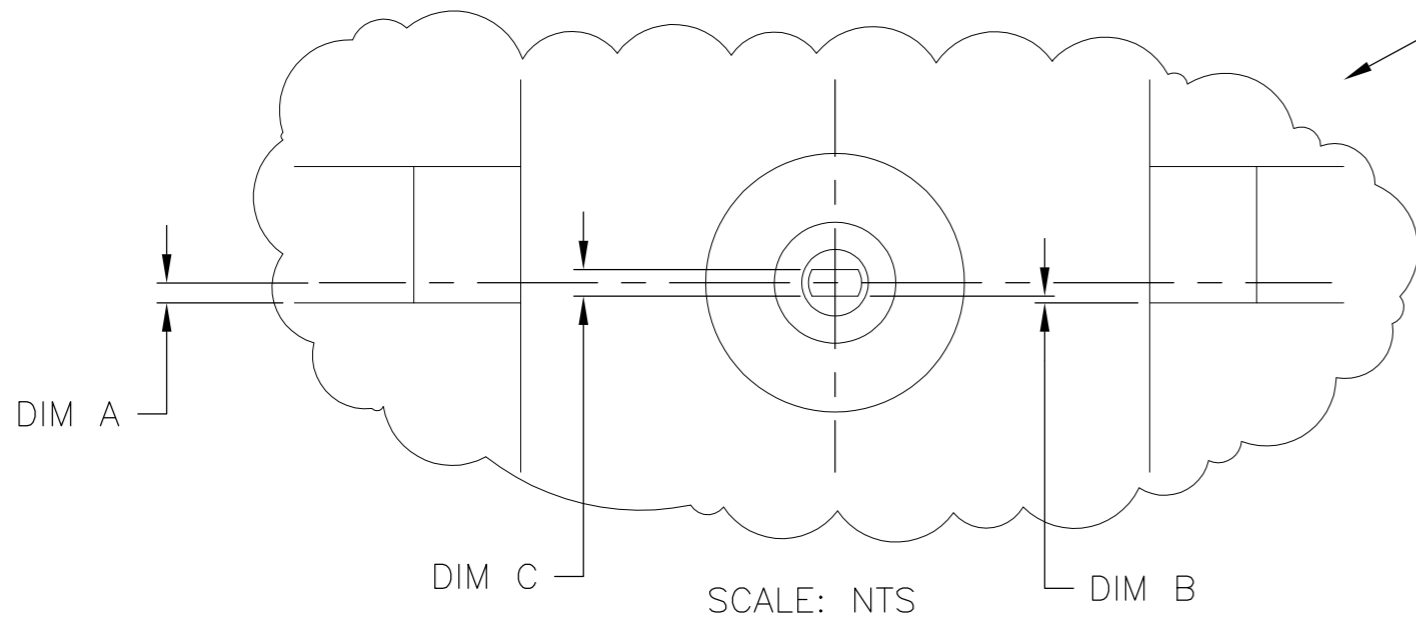
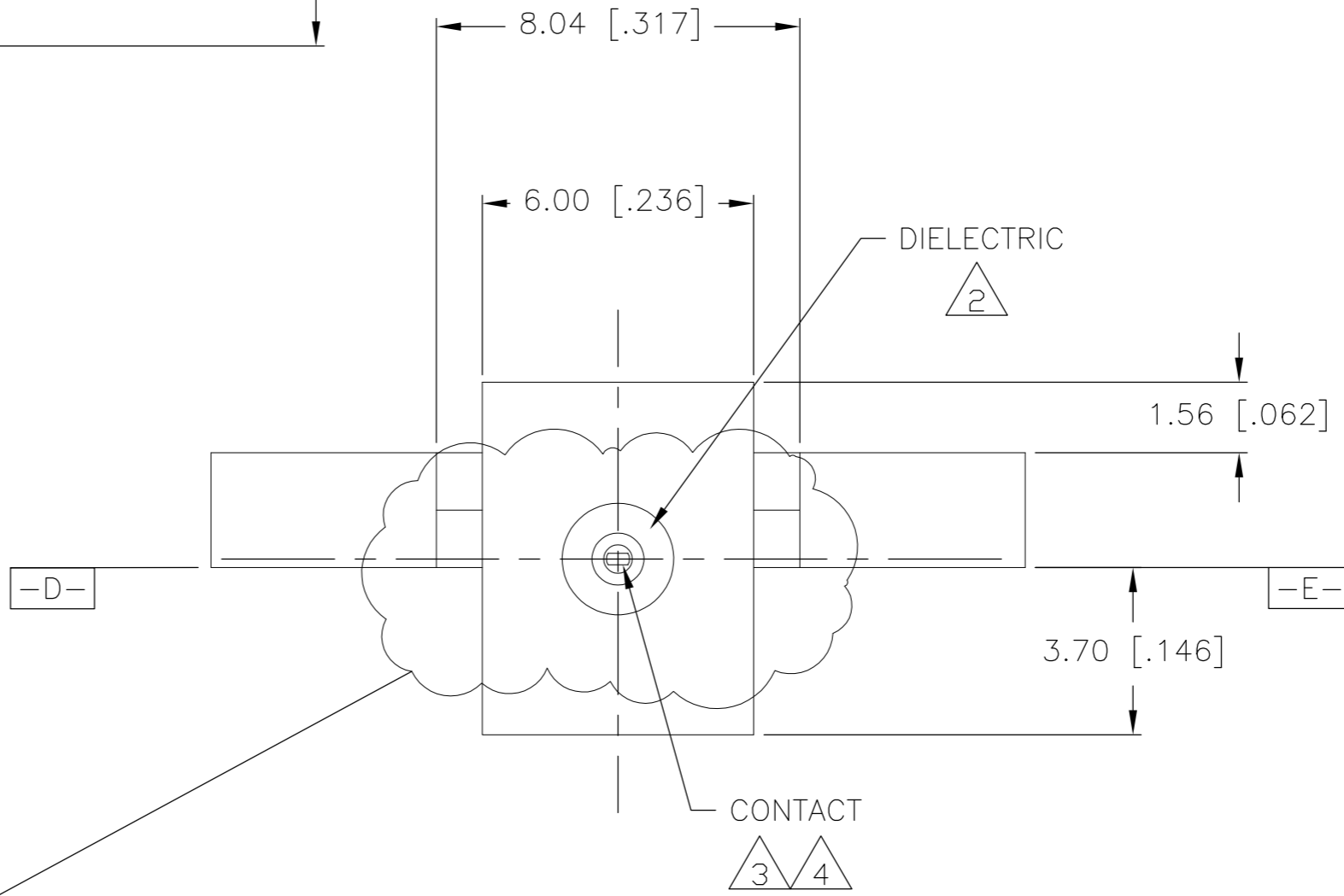
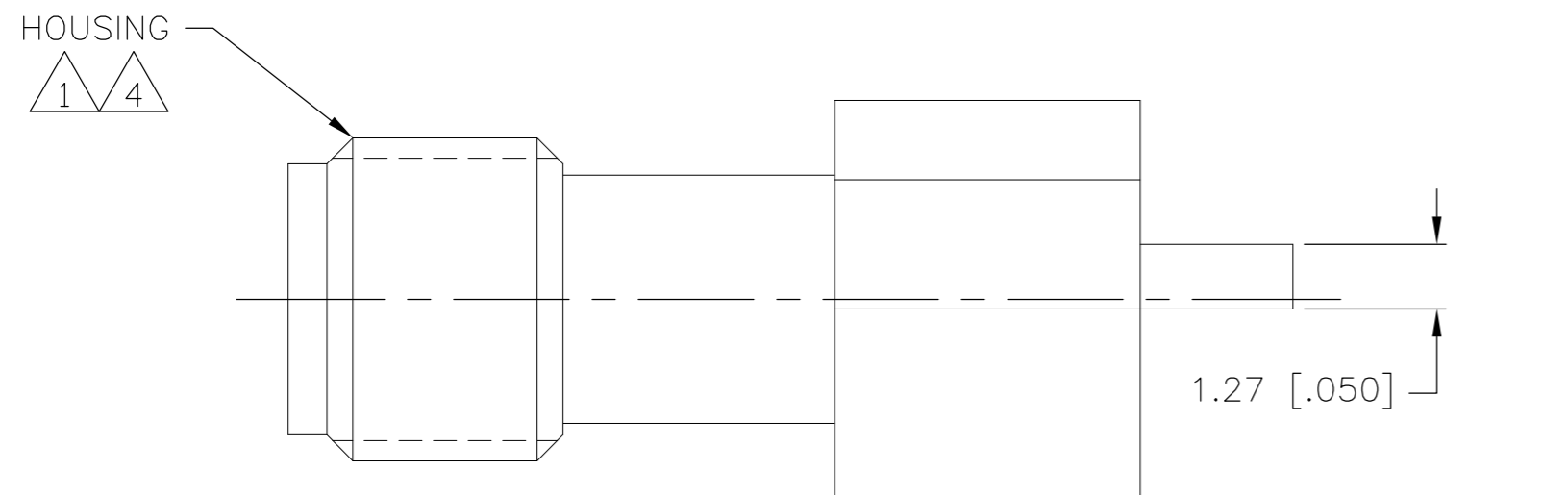


THIS DRAWING IS UNPUBLISHED. RELEASED FOR PUBLICATION
 © COPYRIGHT BY TYCO ELECTRONICS CORPORATION. ALL RIGHTS RESERVED.

| LOC | | DIST | | REVISIONS | | | |
|-----|-----|-----------------------|--|-----------|-----|------|--|
| P | LTR | DESCRIPTION | | DATE | DWN | APVD | |
| | B | REV PER ECO 10-019127 | | 10-5-10 | CT | DW | |



- 1 BRASS PER ASTM-B-16
- 2 PTFE PER ASTM-D-1710
- 3 BERYLLIUM COPPER PER ASTM-B-196
- 4 GOLD PLATE PER ASTM-B488
- 5. CONNECTOR TO BE HAND SOLDERED TO PCB
- 6 SPOT DRILL ID MARK, TOP ONLY, 0.13-0.26 [.005-.010] DEEP REF



| | | | |
|--|--|--------------------------|-------------|
| 0.23 [.009] ⊕ [0.10 [.004] Ⓢ] D-E Ⓢ | 0.13 [.005] ⊕ [0.10 [.004] Ⓢ] D-E Ⓢ | 0.20±0.05 [.008±.002] | 2157081-1 |
| DIM C | DIM B | DIM A | PART NUMBER |

THIS DRAWING IS A CONTROLLED DOCUMENT.

| | | | | |
|----------------------------|--|------------------------|---|--|
| DIMENSIONS: mm [INCHES] | TOLERANCES UNLESS OTHERWISE SPECIFIED: 0 PLC ± - 1 PLC ± - 2 PLC ± 0.15 [.006] 3 PLC ± - 4 PLC ± - ANGLES ± 2° | FINISH SEE CALLOUTS | DWN C.C.THOMAS 8-26-10 CHK D.WILSON 8-26-10 APVD D.WILSON 8-26-10 PRODUCT SPEC APPLICATION SPEC WEIGHT - CUSTOMER DRAWING | NAME Tyco Electronics Corporation Harrisburg, PA 17105-3608 SMA PCB EDGE MOUNT JACK A200719C=2157081 SCALE 7:1 SHEET 1 of 1 REV B |
|----------------------------|--|------------------------|---|--|

OBsolete
 NOT the LATEST REVISION

2157081