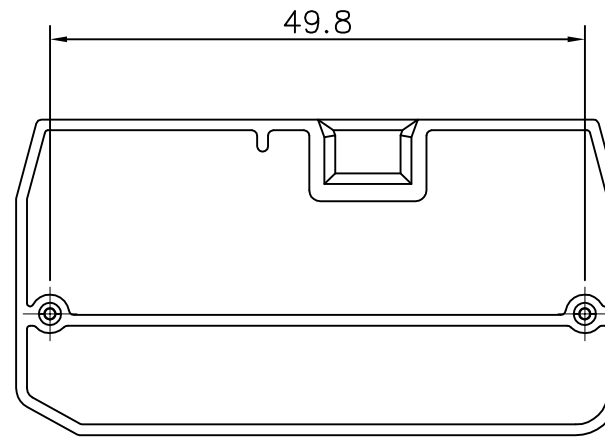
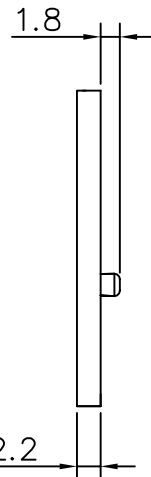


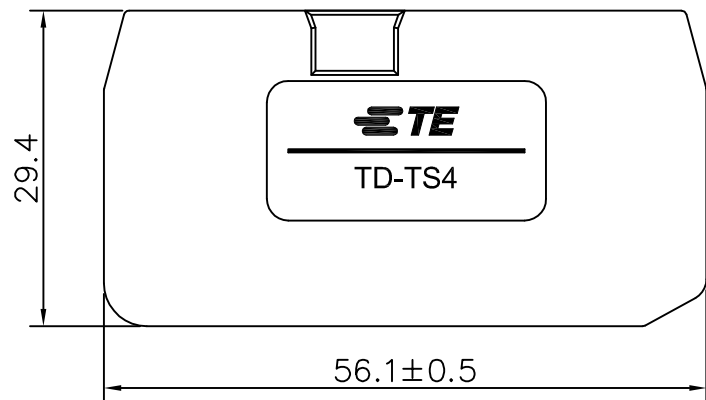
THIS DRAWING IS UNPUBLISHED. RELEASED FOR PUBLICATION  
 © COPYRIGHT - By - ALL RIGHTS RESERVED.

REVISIONS				
P	LTR	DESCRIPTION	DATE	APVD
A		OFFICIAL VERSION RELEASED	20SEP2015	F.Y X.X

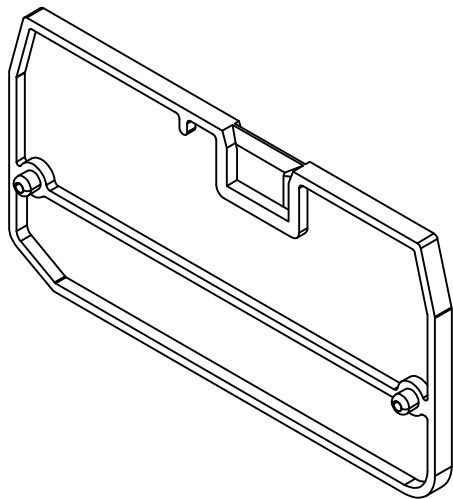
D



C



B



NOTES:

- 1. MATERIAL: THERMOPLASTIC ;
- 2. APPLICABLE TO PRODUCT SERIES:4mm^2, 1 IN 1 OUT SERIES;
- 3. REQUIREMENT FOR ENVIRONMENTAL SUBSTANCES MUST BE COMPLIANCE WITH ROHS AND REACH.

TD-TS4	2271565-2	GREEN
	2271565-1	GRAY
TE SERIES No.	PART NUMBER	COLOR

A

THIS DRAWING IS A CONTROLLED DOCUMENT.		DWN FENCER YU 20SEP2015	<b>STE</b> TE Connectivity	
		CHK KOBBY ZHAO 20SEP2015		
DIMENSIONS: mm	TOLERANCES UNLESS OTHERWISE SPECIFIED:	APVD XIANG XU 20SEP2015	NAME END COVER FOR SPRING CLAMP TYPE TERMINAL BLOCK	
	0 PLC ± 0.50	PRODUCT SPEC	RESTRICTED TO	
	1 PLC ± 0.35	APPLICATION SPEC	SIZE	CAGE CODE
	2 PLC ± 0.30	114-137138	A3	00779
	3 PLC ± -	WEIGHT	DRAWING NO	
	4 PLC ± -	-	C=2271565	
	ANGLES ± 3°	CUSTOMER DRAWING	SCALE	SHEET
MATERIAL	FINISH		1:1	1 OF 1
-	-			REV
				A