

4

3

2

1

THIS DRAWING IS UNPUBLISHED.

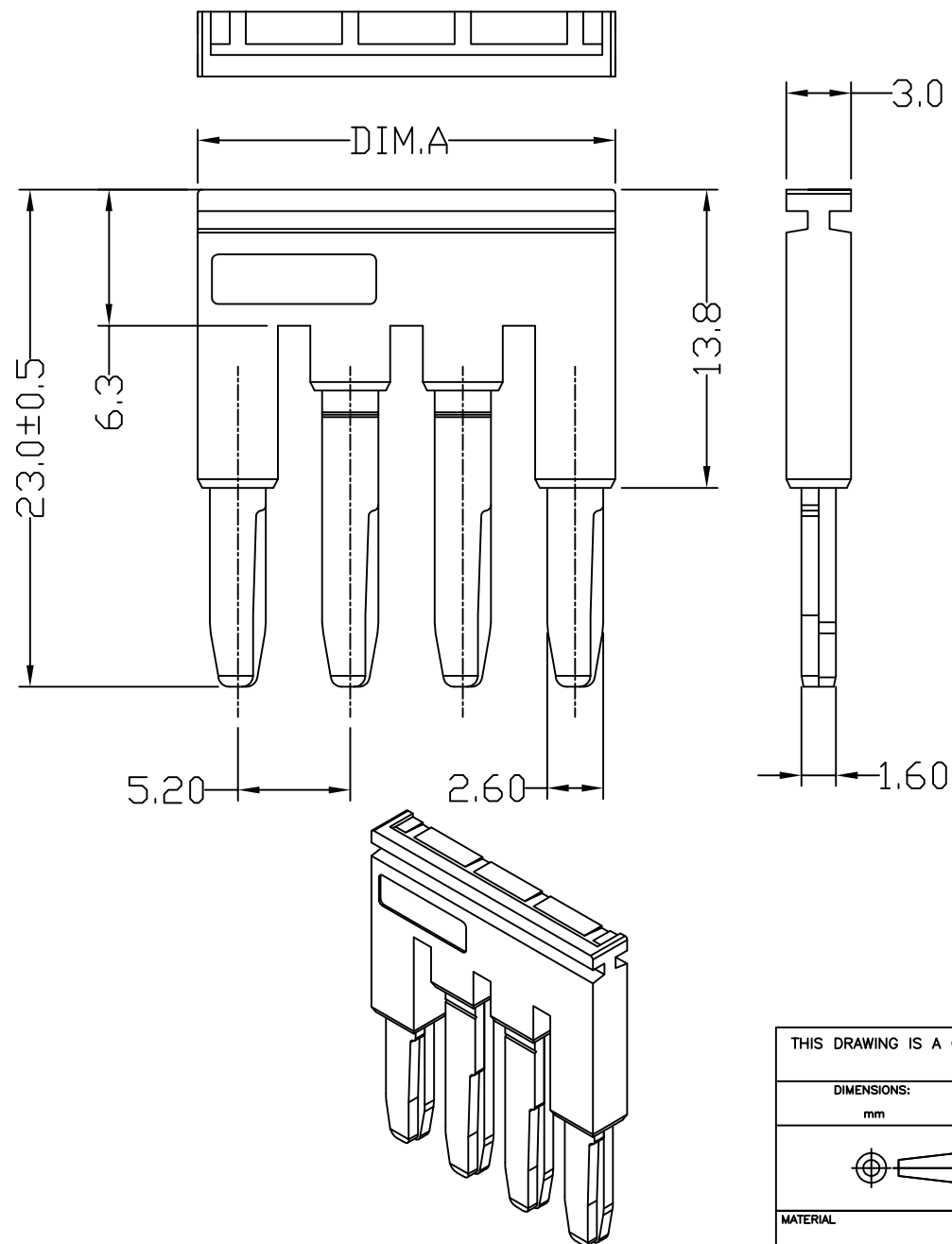
RELEASED FOR PUBLICATION

ALL RIGHTS RESERVED.

© COPYRIGHT - By -

REVISIONS

P	LTR	DESCRIPTION	DATE	DWN	APVD
	A	OFFICIAL VERSION RELEASED	20SEP2015	F.Y	X.X
	A1	PER ECR-15-016185	04NOV2015	F.Y	X.X



NOTES:

1. MATERIAL:
HOUSING:PA66, COLOR:RED ; TERMINAL:COPPER;
2. PLATING:
TERMINAL:Tin PLATED.
3. APPLICABLE TO PRODUCT SERIES:2.5mm² SERIES;
4. CONTINUOUS CURRENT: 20A/20A
5. REQUIREMENT FOR ENVIRONMENTAL SUBSTANCES
MUST BE COMPLIANCE WITH ROHS AND REACH.

TFBS10-5	2271569-5	10	50.5
TFBS5-5	2271569-4	5	24.5
TFBS4-5	2271569-3	4	19.3
TFBS3-5	2271569-2	3	14.1
TFBS2-5	2271569-1	2	8.9
TE SERIES No.	PART NUMBER	POLES	DIM A

DIMENSIONS:		TOLERANCES UNLESS OTHERWISE SPECIFIED:		APVD		NAME		RESTRICTED TO	
mm		0 PLC	± 0.50	XU		PLUG BRIDGE FOR 2.5MM ² SERIES TERMINAL BLOCK		-	
		1 PLC	± 0.35	XU		-		-	
		2 PLC	± 0.25	XU		-		-	
		3 PLC	± -	XU		-		-	
		4 PLC	± -	XU		-		-	
		ANGLES	± 3°	XU		-		-	
MATERIAL		FINISH		WEIGHT		SCALE		SHEET	
-		-		-		1:1		1 OF 1	
CUSTOMER DRAWING				114-137138		A300779		REV A1	