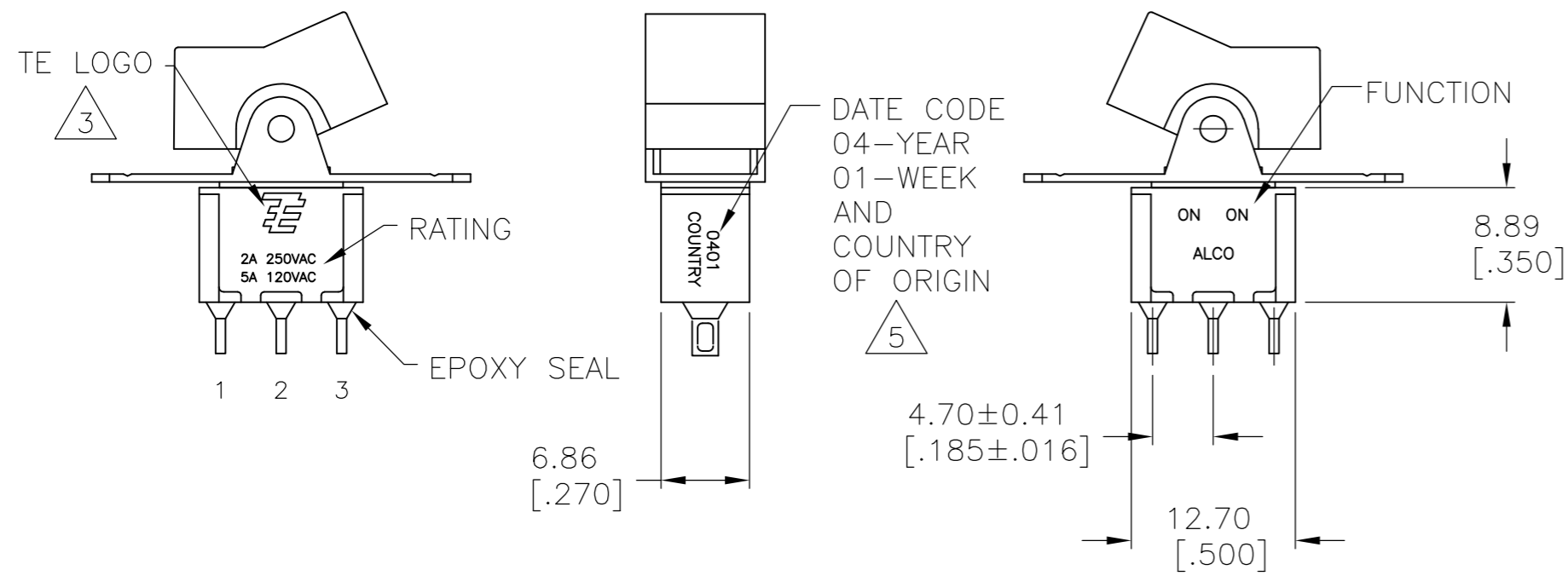


THIS DRAWING IS UNPUBLISHED. RELEASED FOR PUBLICATION  
 © COPYRIGHT - By - ALL RIGHTS RESERVED.

LOC		DIST		REVISIONS			
P	LTR	DESCRIPTION		DATE	DWN	APVD	
AD	00	A9		REVISED PER ECO-14-005988	23APR2014	NK	RH



- ALL MATERIALS AND FINISHES SHALL COMPLY WITH EU DIRECTIVE 2002/95/EC OF 27JAN2003 (ROHS).
  - G CONTACT OPTION CAN BE USED FOR SIGNAL OR POWER LEVEL SWITCHING. IF SWITCH IS USED AT LEVELS EXCEEDING .4VA @ 20V AC/DC, SWITCH IS RENDERED FOR POWER SWITCHING ONLY DUE TO ARC REMOVAL OF GOLD PLATING. RATING MARKED ON SWITCH IS 2A 250VAC, 5A 120VAC.
- △3 TE CONNECTIVITY LOGO PER PER TEC-202-36.
- △5 DATE CODE AND COUNTRY OF ORIGIN MAY APPEAR ON EITHER SIDE OF SWITCH.
- 6 PANEL MOUNT BRACKET SUPPLIED WITH TERMINALS W, Z AND Z3 ONLY.
- △7 ACTUATOR MARKED  -
- △8 ACTUATOR MARKED -
- △9 ACTUATOR MARKED -
- 10 ALL LOGO, RATING, DATE CODE, AND FUNCTION MARKINGS TO BE LASER MARKED.

FUNCTION CHART			
FUNCTION			
	1 2 3	1 2 3	1 2 3
01	ON	NONE	ON
03	ON	OFF	ON
05	(ON)	OFF	(ON)
07	ON	OFF	(ON)
08	ON	NONE	(ON)
TERMINALS CONNECTED	2-3	---	1-2

NONE: NO MECHANICAL POSITION  
 OFF: MECHANICAL POSITION WITH NO ELECTRICAL CONNECTION  
 (ON): MOMENTARY ACTION

SPECIFICATIONS	
RATING, B CONTACTS	.4VA MAX @20V MAX. AC OR DC
RATING, G CONTACTS-SEE NOTE 2	.4VA MAX @20V MAX. AC OR DC OR
	5A @120 VAC OR 28 VDC (RESISTIVE)
RATING, Q CONTACTS	2A @250 VAC (RESISTIVE)
	5A @120 VAC OR 28 VDC (RESISTIVE)
ELECTRICAL LIFE	6,000 CYCLES AT RATED LOAD
CONTACT RESISTANCE	10 MILLIOHMS MAX INITIAL @ 2-4VDC, 100MA
INSULATION RESISTANCE	1,000 MEGOHMS MIN
DIELECTRIC WITHSTANDING VOLTAGE	1,000 V RMS AT SEA LEVEL
OPERATING TEMPRATURE	-30C TO 85C

PART NUMBER SEQUENCE CHART							
MODEL	FUNCTION	ACTUATOR	TERMINAL	CONTACT	ACTUATOR COLOR	BEZEL COLOR	ROHS
A1							04
	01	J1	A	B	0 BLACK (STD)	0 BLACK (STD)	
	03	J3	AV2	G	1 BROWN	1 BROWN	
	05	J50	C	Q	2 RED	2 RED	
	07	J51	V3		3 ORANGE	3 ORANGE	
	08	J52	V4		4 YELLOW	4 YELLOW	
		J2	V6		5 GREEN	5 GREEN	
		J4	V7		6 BLUE	6 BLUE	
		J60	W		8 GRAY	8 GRAY	
		J61	W4		9 WHITE	9 WHITE	
		J62	Z				
			Z3				

THIS DRAWING IS A CONTROLLED DOCUMENT.

DWN	M.BINNER	06JAN05
CHK	M.ZITTO	06JAN05
APVD	M.ZITTO	06JAN05
PRODUCT SPEC		
APPLICATION SPEC		

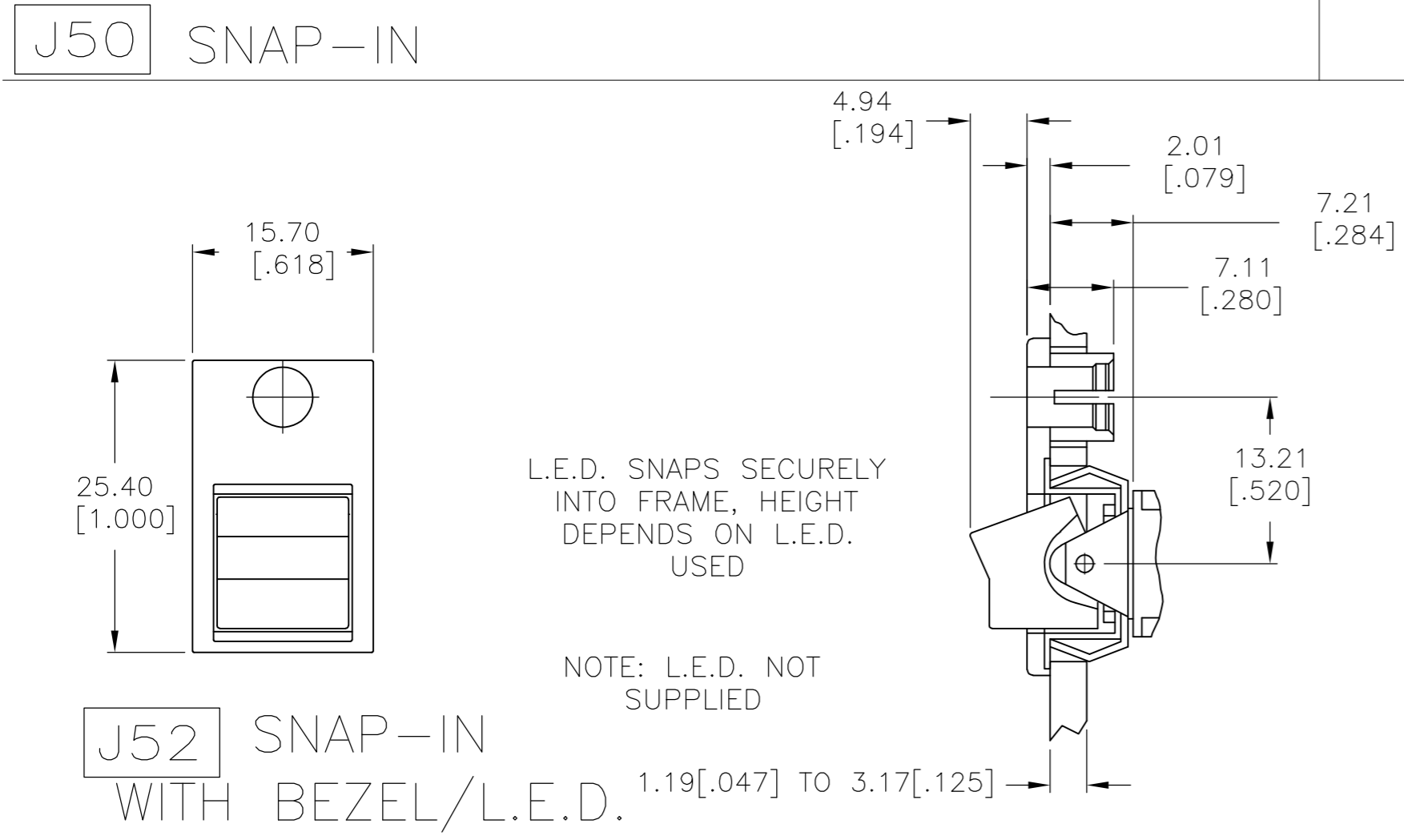
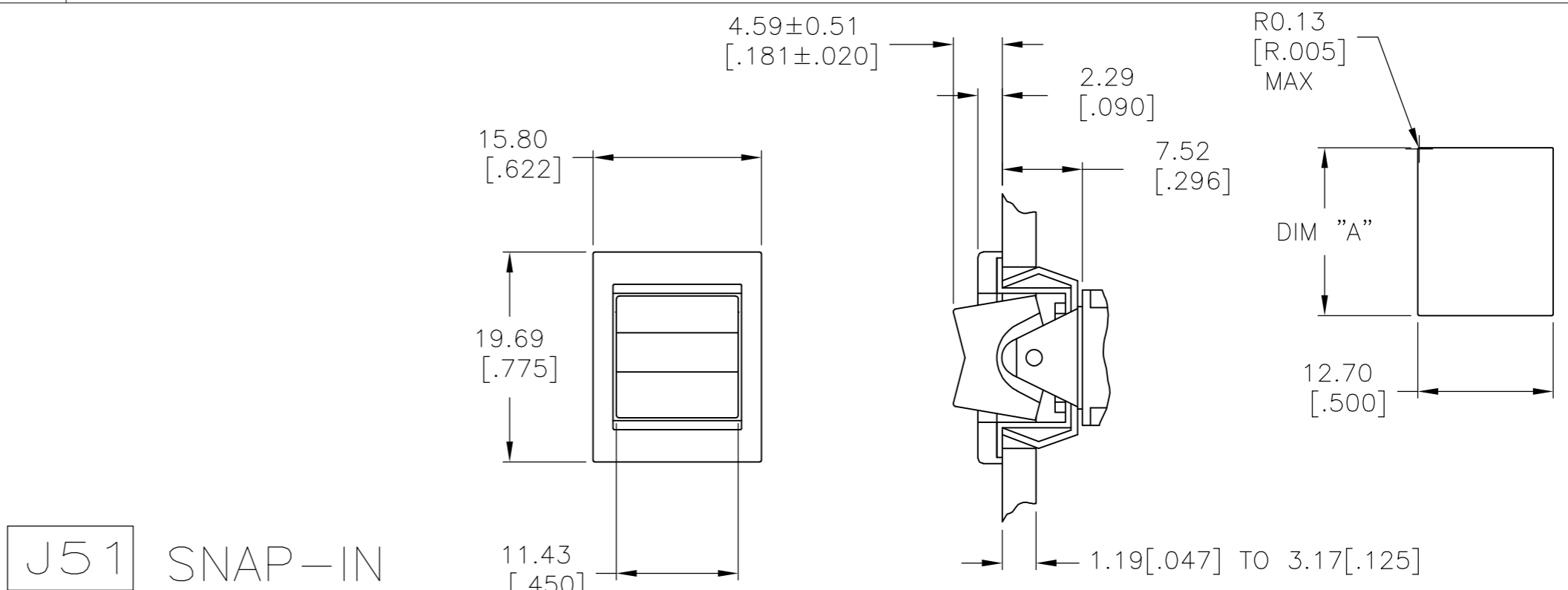
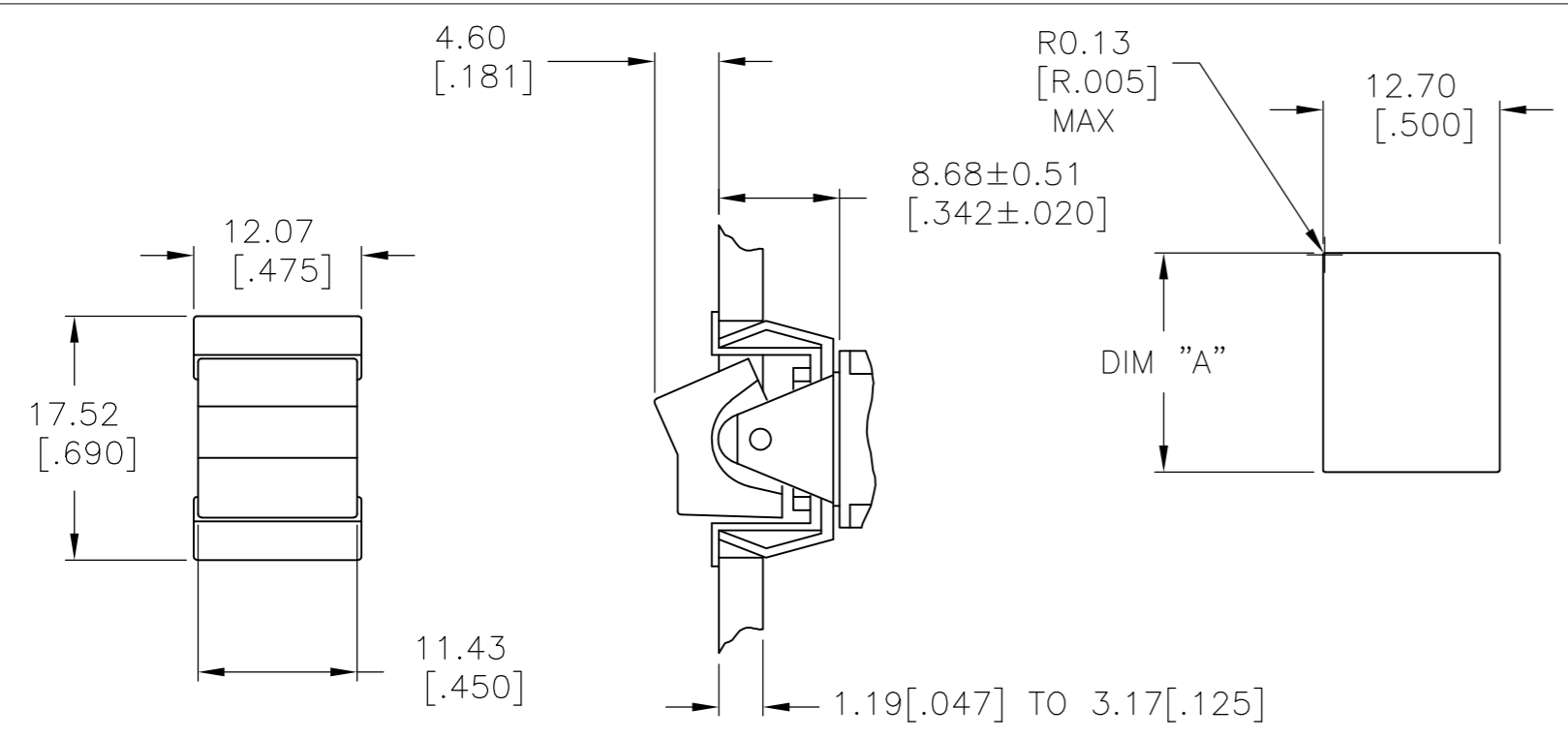
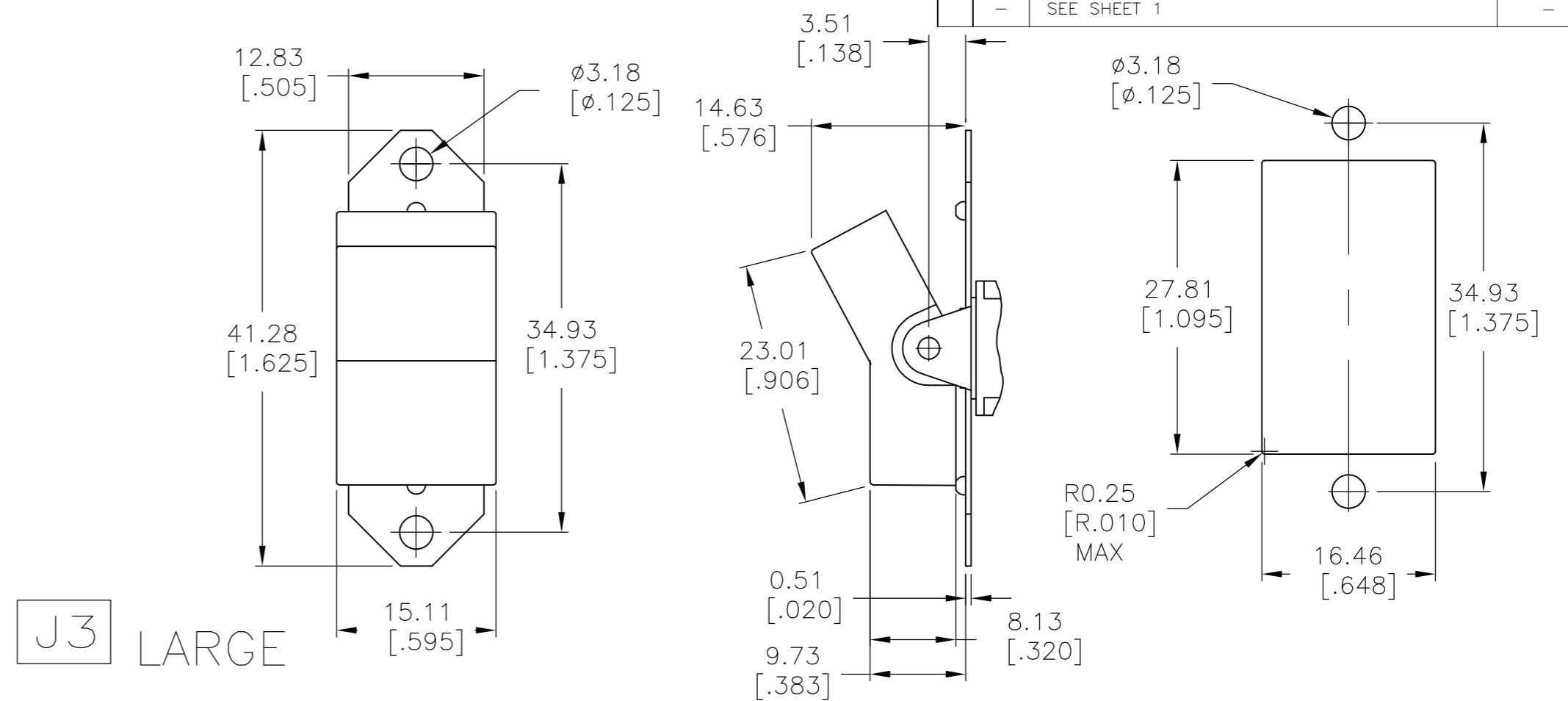
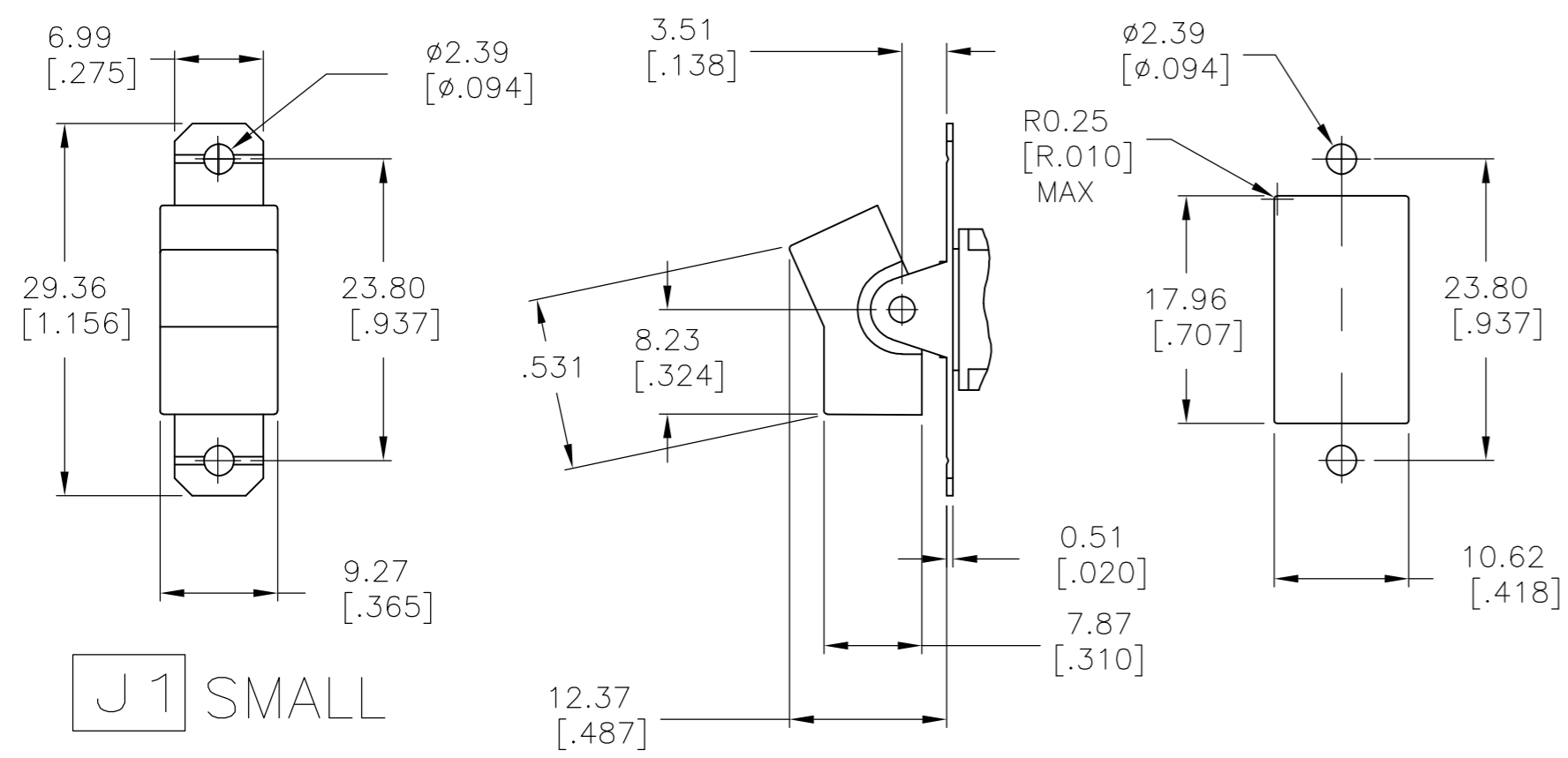
**STE** TE Connectivity

GEMINI A SERIES ROCKER SWITCH SINGLE POLE

SIZE	A2	CAGE CODE	00779	DRAWING NO	C=1571986	RESTRICTED TO	-
CUSTOMER DRAWING		SCALE	2:1	SHEET	1 of 5	REV	A9

THIS DRAWING IS UNPUBLISHED. RELEASED FOR PUBLICATION  
 © COPYRIGHT - By - ALL RIGHTS RESERVED.

LOC		DIST		REVISIONS			
P	LTR	DESCRIPTION	DATE	DWN	APVD		
AD	00	SEE SHEET 1	-	-	-	-	-



J51 SNAP-IN WITH BEZEL

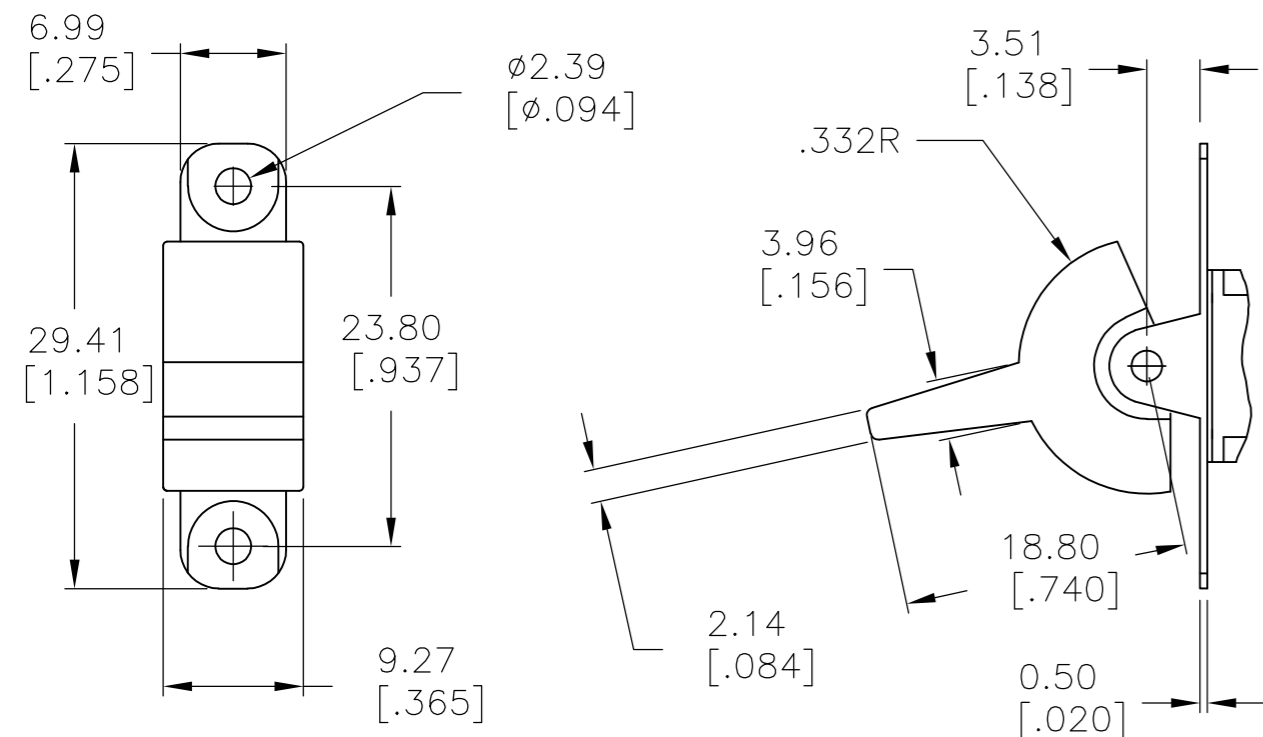
J52 SNAP-IN WITH BEZEL/L.E.D.

1.52 [0.060] - 3.17 [0.125]	15.75 [0.620] - 15.87 [0.625]
1.19 [0.047] - 1.50 [0.059]	15.72 [0.619]
PANEL THICKNESS	DIM "A"

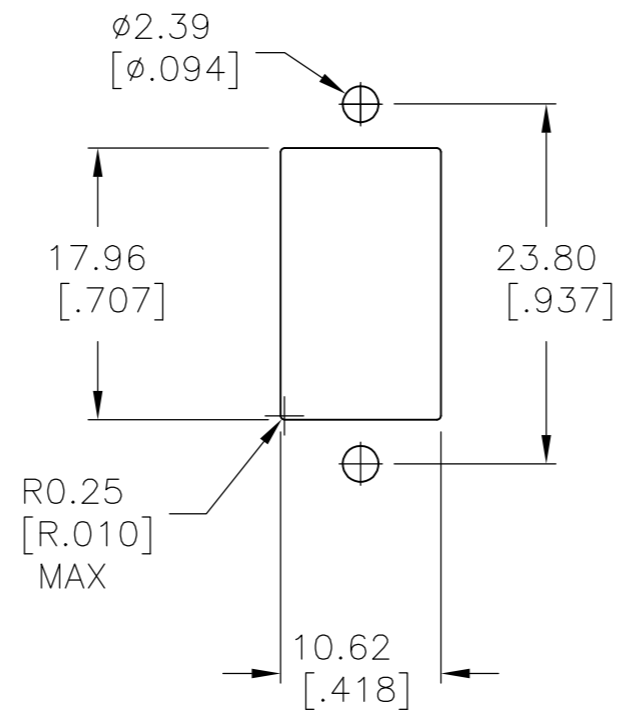
THIS DRAWING IS A CONTROLLED DOCUMENT.		DWN	M.BINNER	06JAN05	 TE Connectivity	
DIMENSIONS: mm [INCHES]		CHK	M.ZITTO	06JAN05		
TOLERANCES UNLESS OTHERWISE SPECIFIED:		APVD	M.ZITTO	06JAN05		
0 PLC ± -		PRODUCT SPEC				
1 PLC ± -		APPLICATION SPEC				
2 PLC ± -					NAME	GEMINI A SERIES ROCKER SWITCH SINGLE POLE
3 PLC ± 0.25 [0.01]					SIZE	A2
4 PLC ± -					CAGE CODE	00779
ANGLES ± 4°					DRAWING NO	C=1571986
FINISH					RESTRICTED TO	-
MATERIAL					SCALE	2:1
					SHEET	2 OF 5
					REV	A9

THIS DRAWING IS UNPUBLISHED. RELEASED FOR PUBLICATION  
 © COPYRIGHT - By - ALL RIGHTS RESERVED.

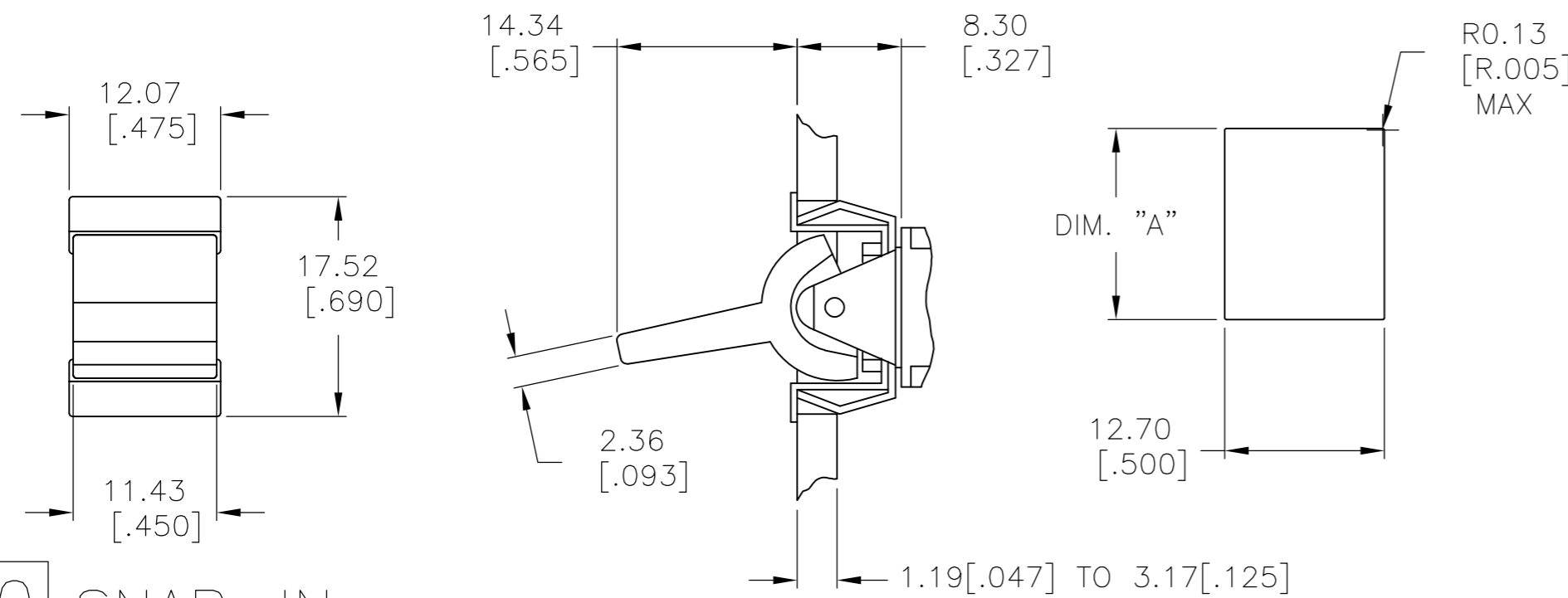
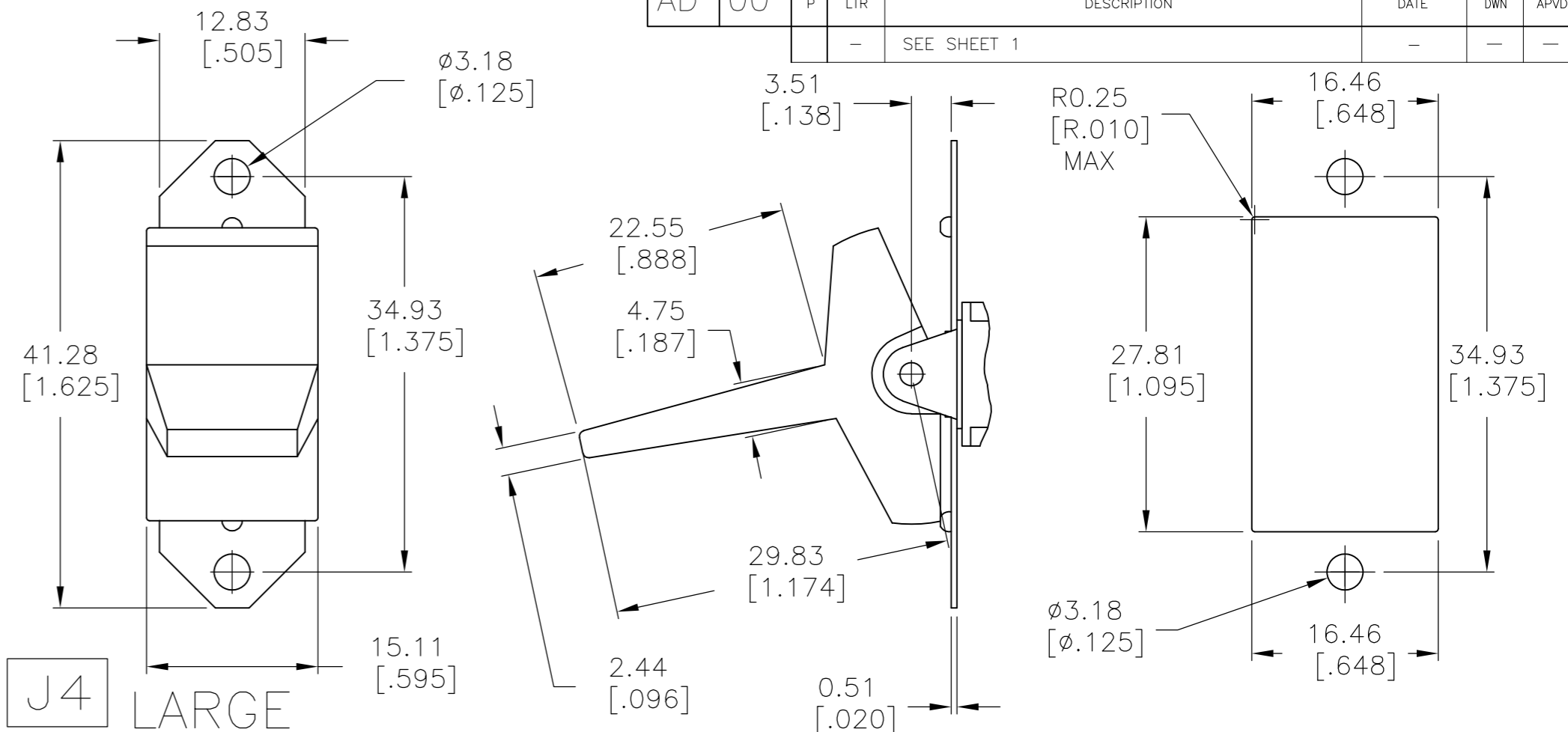
LOC	DIST	REVISIONS			
P	LTR	DESCRIPTION	DATE	DWN	APVD
AD	00	SEE SHEET 1	-	-	-



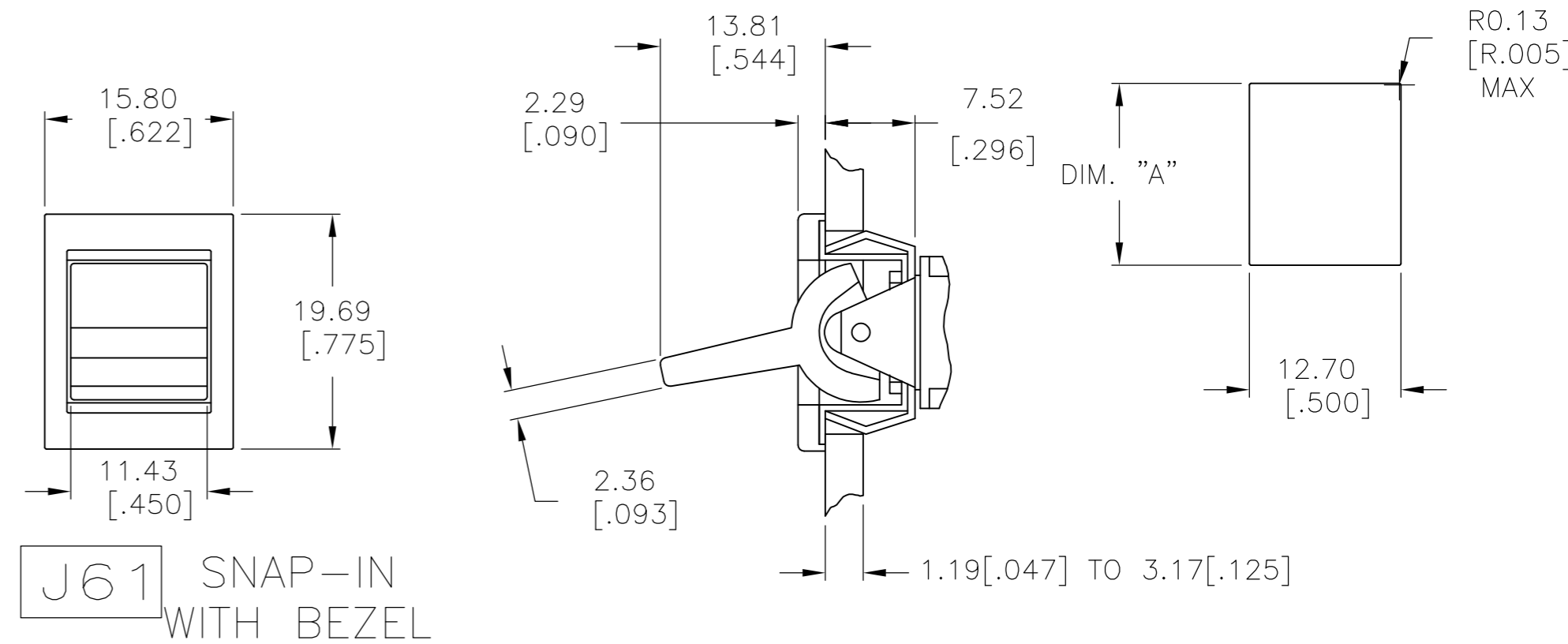
J2 SMALL



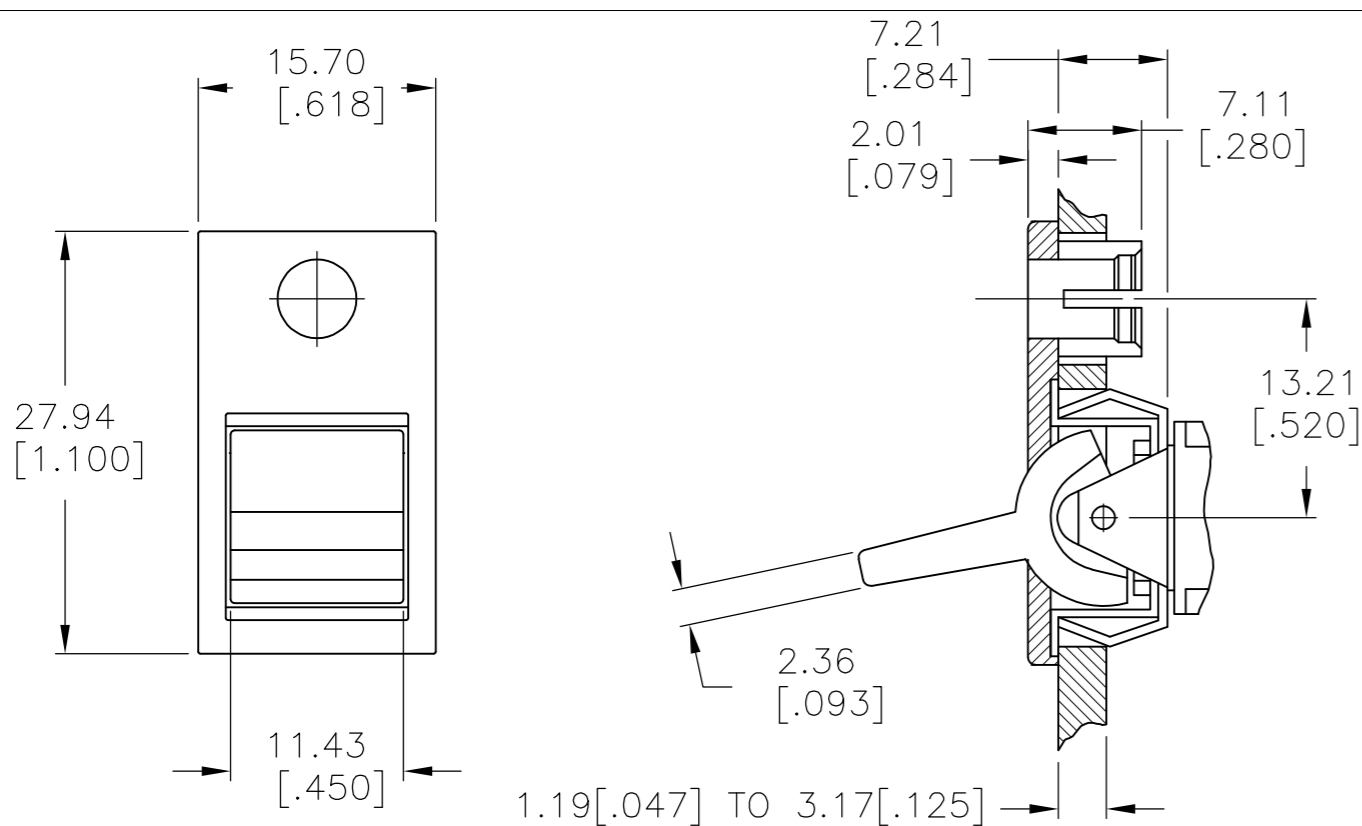
J4 LARGE



J60 SNAP-IN

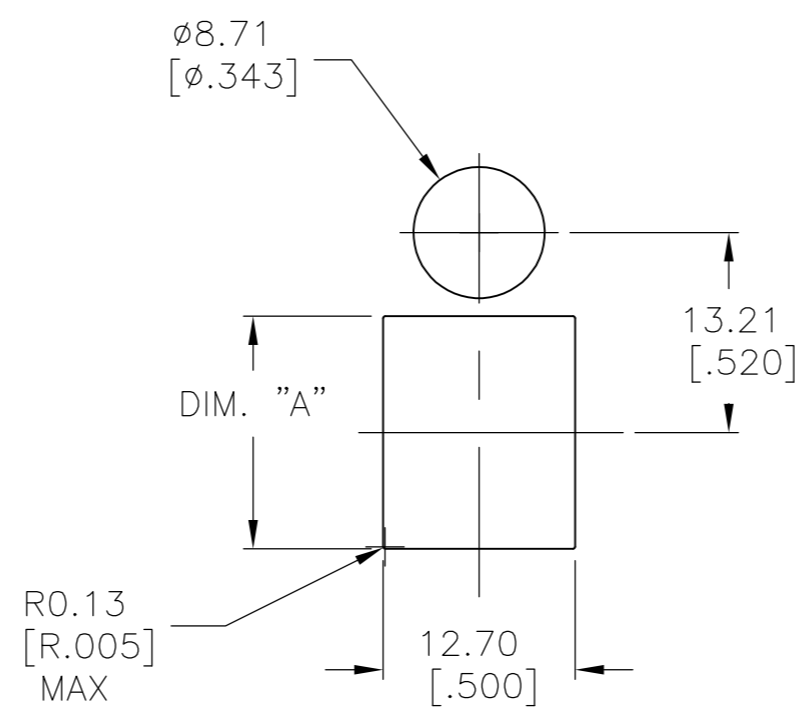


J61 SNAP-IN WITH BEZEL



J62 SNAP-IN WITH BEZEL/L.E.D.

NOTE: L.E.D. NOT SUPPLIED

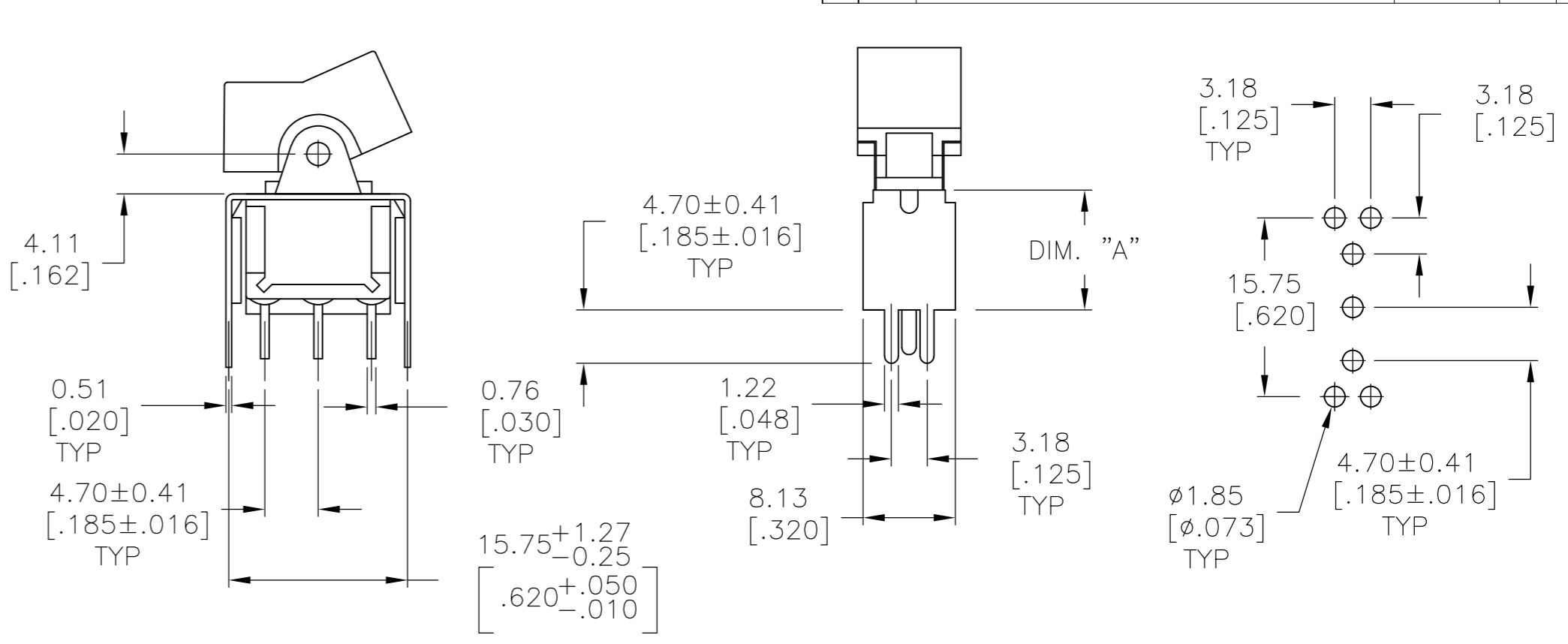
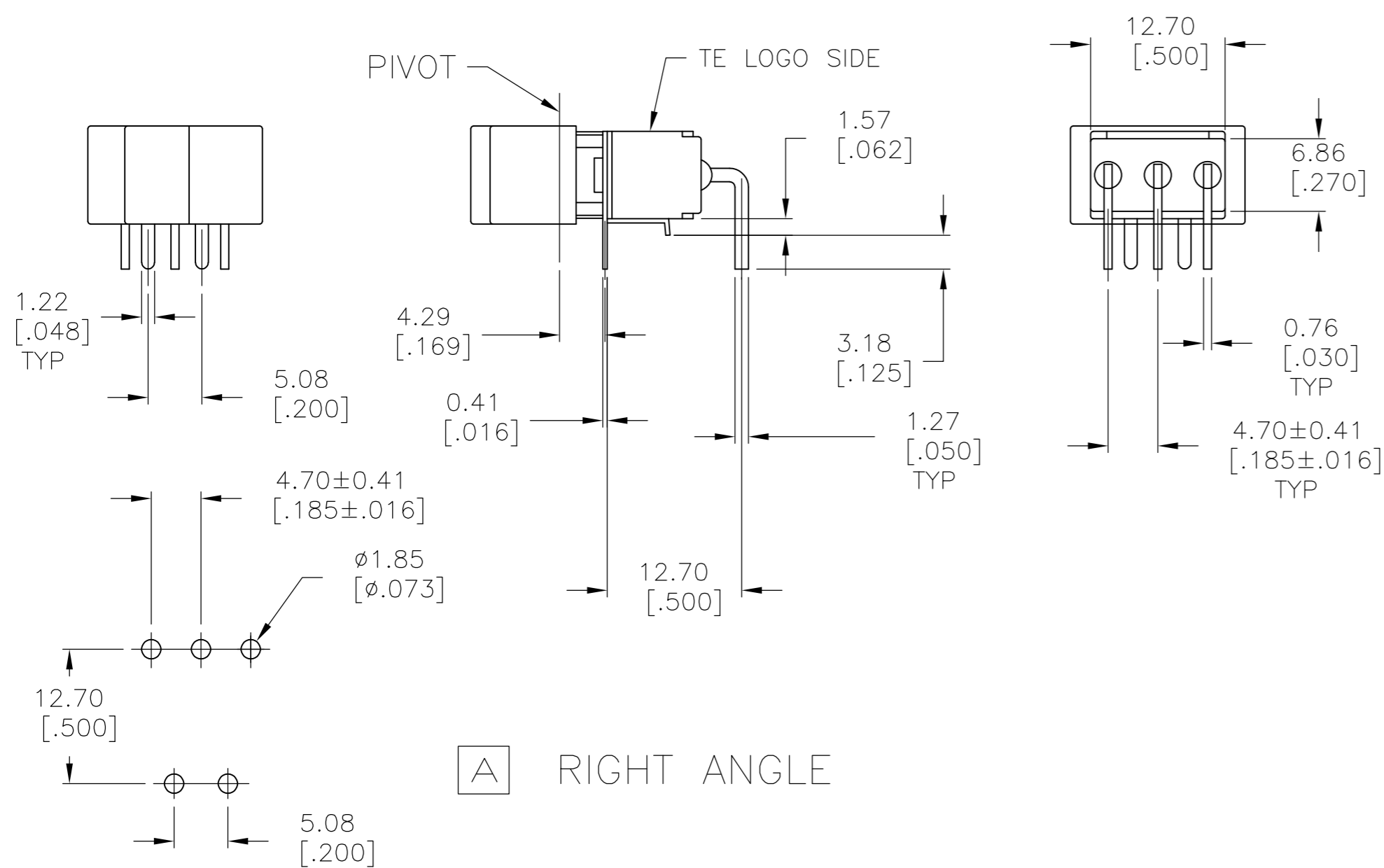


1.52 [.060] - 3.17 [.125]	15.75 [.620] - 15.87 [.625]
1.19 [.047] - 1.50 [.059]	15.72 [.619]
PANEL THICKNESS	DIM "A"

THIS DRAWING IS A CONTROLLED DOCUMENT.		DWN	M.BINNER	06JAN05		TE Connectivity			
DIMENSIONS: mm [INCHES]		CHK	M.ZITTO	06JAN05		NAME			
TOLERANCES UNLESS OTHERWISE SPECIFIED:		APVD	M.ZITTO	06JAN05		GEMINI A SERIES ROCKER SWITCH SINGLE POLE			
0 PLC ± -		PRODUCT SPEC	APPLICATION SPEC			SIZE	CAGE CODE	DRAWING NO	RESTRICTED TO
1 PLC ± -		MATERIAL		WEIGHT	A2 00779		C=1571986		-
2 PLC ± -		FINISH		CUSTOMER DRAWING	SCALE	2:1	SHEET	3 of 5	REV
3 PLC ± 0.25[0.01]									A9
4 PLC ± -									
ANGLES ± 4°									

THIS DRAWING IS UNPUBLISHED. RELEASED FOR PUBLICATION  
 © COPYRIGHT - By - ALL RIGHTS RESERVED.

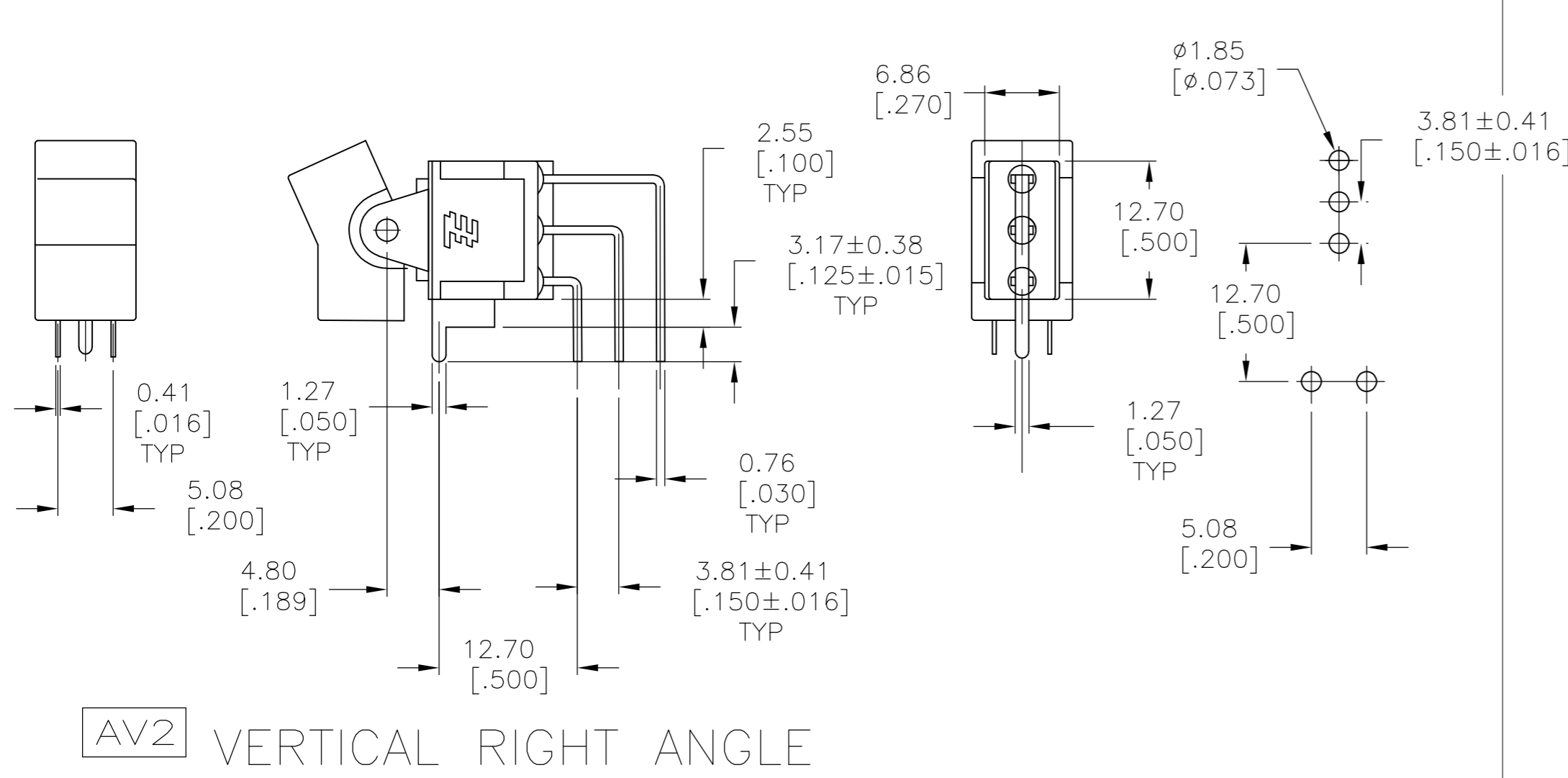
LOC	DIST	REVISIONS			
P	LTR	DESCRIPTION	DATE	DWN	APVD
AD	00	SEE SHEET 1	-	-	-



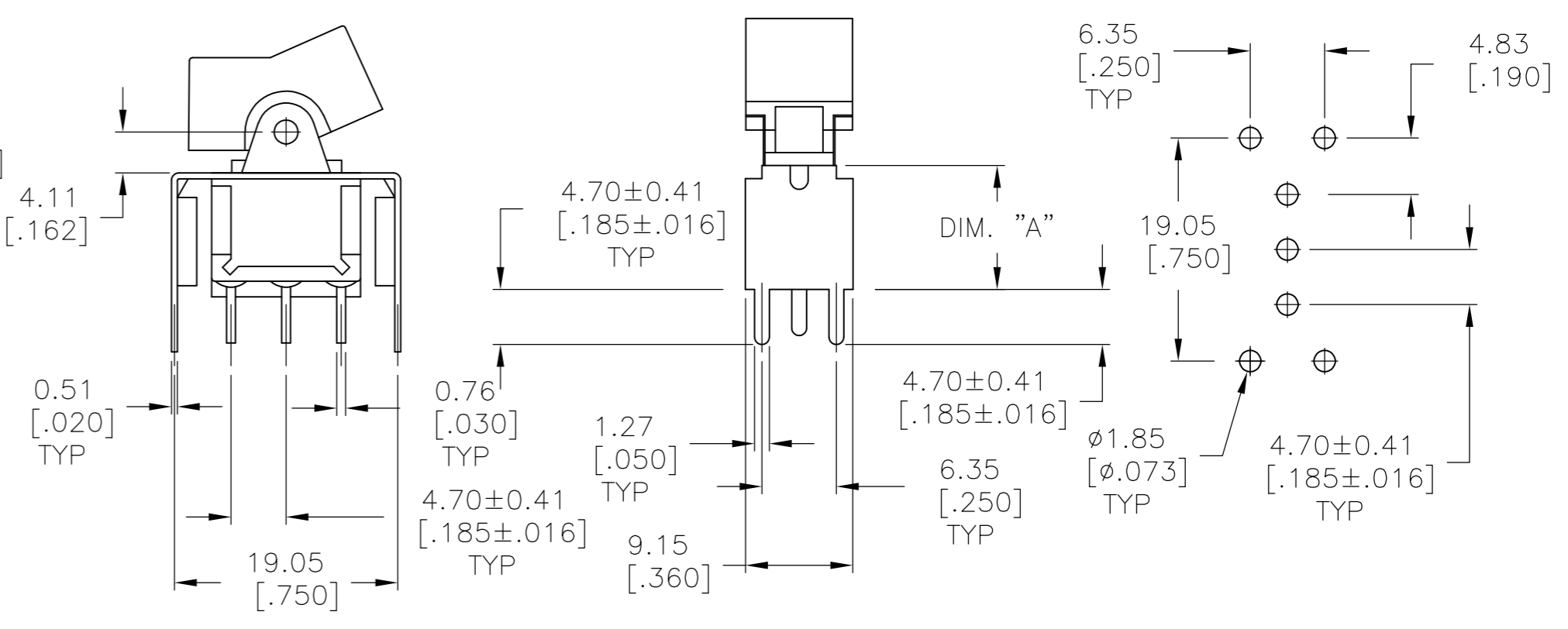
V3 V4

VERTICAL SUPPORT BRACKET

OPTION CODE	DIM "A"
V3	11.68 [.460]
V4	16.00 [.630]



AV2 VERTICAL RIGHT ANGLE



V6 V7

VERTICAL SUPPORT BRACKET

OPTION CODE	DIM "A"
V6	11.68 [.460]
V7	16.00 [.630]

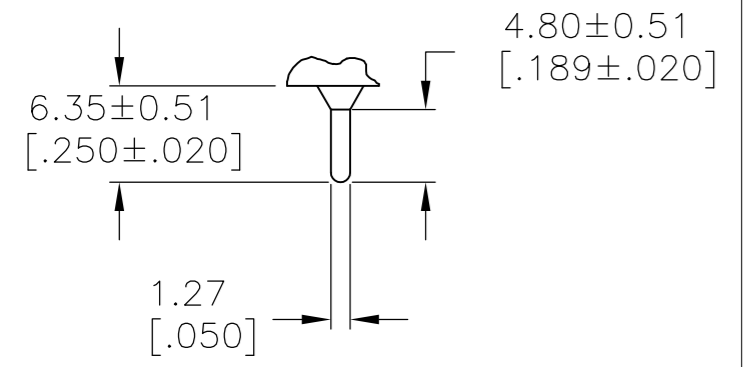
THIS DRAWING IS A CONTROLLED DOCUMENT.		DWN M.BINNER 06JAN05			
DIMENSIONS: mm [INCHES]		CHK M.ZITTO 06JAN05			
TOLERANCES UNLESS OTHERWISE SPECIFIED:		APVD M.ZITTO 06JAN05	NAME GEMINI A SERIES ROCKER SWITCH SINGLE POLE		
0 PLC ± -		PRODUCT SPEC	SIZE A2	CAGE CODE 00779	DRAWING NO 1571986
1 PLC ± -		APPLICATION SPEC	RESTRICTED TO		
2 PLC ± -		WEIGHT	-		
3 PLC ± 0.25[0.01]		CUSTOMER DRAWING	SCALE 2:1	SHEET 4 of 5	REV A9
4 PLC ± -					
ANGLES ± 4°					
FINISH					

THIS DRAWING IS UNPUBLISHED. RELEASED FOR PUBLICATION  
 © COPYRIGHT - By - ALL RIGHTS RESERVED.

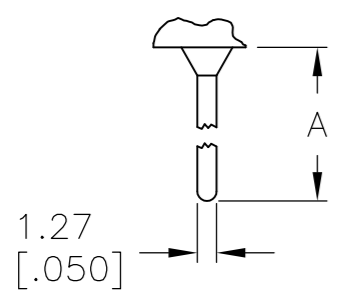
LOC	DIST	REVISIONS			
P	LTR	DESCRIPTION	DATE	DWN	APVD
AD	00	SEE SHEET 1	-	-	-

### MATERIALS CHART

COMPONENT NAME	BASE MATERIAL	FINISH
CASE	DAP, 30-40% GF, RED, UL94 V-0, COSMIC D72/6120F	
FRAME	304 STAINLESS STEEL	
B TERMINALS & CONTACTS	C194 COPPER	GOLD OVER NICKEL
G TERMINALS & CONTACTS	C194 COPPER	GOLD OVER SILVER
Q TERMINALS & CONTACTS	C194 COPPER	SILVER
ACTUATOR	PHENOLIC, BLACK, UL94 V-1	
ROCKER CAP	NYLON, BLACK, UL94 V-1, NYTEX MG-2012N	
BUSHING & ACTUATOR LEVER	ZINC ALLOY K2	.000100-.000150 NICKEL
SPRING	MUSIC WIRE	
SUPPORT BRACKET	C2680H BRASS	TIN
PIVOT PIN	STEEL	NICKEL
TERMINAL SEAL	EPOXY, UL94 V-1, BOOM HOUSE S-9001A	

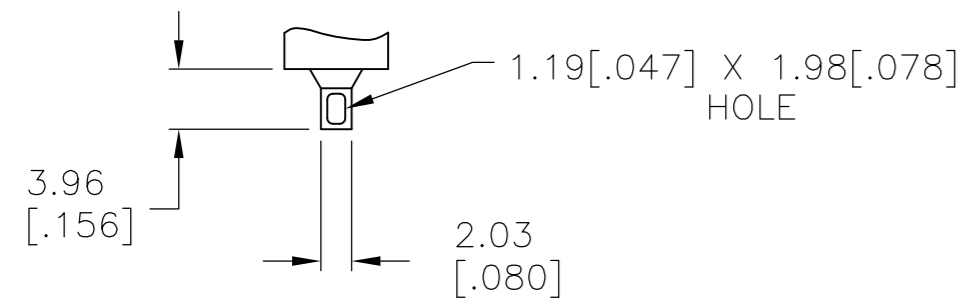


**PRINTED CIRCUIT**

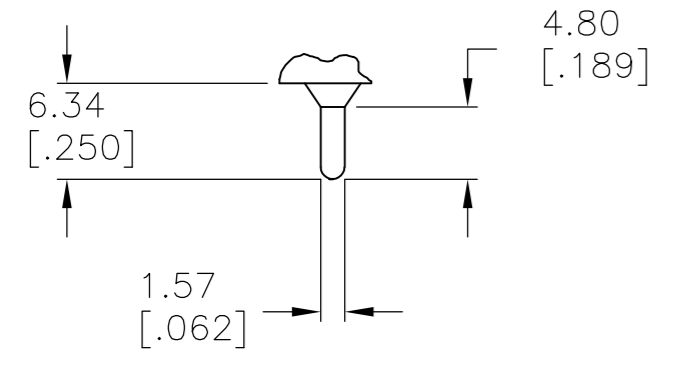


OPTION	DIM A
W	18.69 [.736]
W4	26.97 [1.062]

**W W4 WIRE WRAP**



**WIRE LUG**



**QUICK CONNECT**

9	A101J1AV2Q004AM9	7-1571986-4
8	A101J1AV2Q004AM8	7-1571986-3
7	A101J1AV2Q004AM	7-1571986-2
	A108J61ZQ0004	7-1571986-0
	A108J51ZQ0004	6-1571986-9
	A108J1ZQ004	6-1571986-8
	A108J1V3Q004	6-1571986-7
	A107J61ZQ0004	6-1571986-6
	A107J51ZQ0004	6-1571986-5
	A105J61ZQ0004	6-1571986-4
	A105J61ZG0004	6-1571986-3
	A105J52ZQ2004	6-1571986-2
	A105J51ZQ0004	6-1571986-1
	A105J4ZQ004	6-1571986-0
	A105J3ZQ004	5-1571986-9
	A105J3CQ2004	5-1571986-8
	A105J3CQ004	5-1571986-7
	A105J2ZQ004	5-1571986-6
	A105J2AV2Q004	5-1571986-5
	A105J2AQ004	5-1571986-4
	A105J1ZQ004	5-1571986-3
	A105J1V3B004	5-1571986-2
	A105J1CQ004	5-1571986-1
	ALCO P/N	P/N

7	PRELIMINARY	ALCO P/N	P/N
---	-------------	----------	-----

A105J1AV2Q004	5-1571986-0
A105J1AQ004	4-1571986-9
NOT ASSIGNED	4-1571986-8
NOT ASSIGNED	4-1571986-7
A103J61ZQ0004	4-1571986-6
A103J51ZQ0004	4-1571986-5
A103J3ZQ004	4-1571986-4
A103J2ZQ004	4-1571986-3
A103J2CB004	4-1571986-2
A103J1ZQ004	4-1571986-1
A103J1V3Q004	4-1571986-0
A103J1AV2Q004	3-1571986-9
A103J1AV2B004	3-1571986-8
NOT ASSIGNED	3-1571986-7
A101J61ZQ0004	3-1571986-6
A101J51ZQ2004	3-1571986-5
A101J51ZQ0004	3-1571986-4
A101J51ZB0004	3-1571986-3
NOT ASSIGNED	3-1571986-2
A101J51Z3Q0004	3-1571986-1
A101J51Z3G0004	3-1571986-0
A101J51CB0004	2-1571986-9
A101J50ZQ004	2-1571986-8
A101J50V3Q204	2-1571986-7
A101J50V3Q004	2-1571986-6
A101J50AV2Q004	2-1571986-5
A101J4ZQ804	2-1571986-4
A101J4ZQ004	2-1571986-3
A101J3ZQ004	2-1571986-2
A101J3V3Q204	2-1571986-1
A101J2ZQ004	2-1571986-0
A101J2ZB904	1-1571986-9
A101J2AV2Q004	1-1571986-8
A101J1ZQ004	1-1571986-7
A101J1ZB004	1-1571986-6
A101J1V3Q004	1-1571986-5
A101J1V3B004	1-1571986-4
A101J1CQ004	1-1571986-3
A101J1CG004	1-1571986-2
A101J1AV2Q004	1-1571986-1
A101J1AV2B004	1-1571986-0
A101J1AQ204	1571986-9
A101J1AQ004	1571986-8
A101J1AB004	1571986-7
NOT ASSIGNED	1571986-6
NOT ASSIGNED	1571986-5
NOT ASSIGNED	1571986-4
NOT ASSIGNED	1571986-3
NOT ASSIGNED	1571986-2
A101J1AB004	1571986-1

THIS DRAWING IS A CONTROLLED DOCUMENT.		DWN	M.BINNER	06JAN05
DIMENSIONS: mm [INCHES]		CHK	M.ZITTO	06JAN05
TOLERANCES UNLESS OTHERWISE SPECIFIED:		APVD	M.ZITTO	06JAN05
0 PLC	± -	PRODUCT SPEC		
1 PLC	± -	APPLICATION SPEC		
2 PLC	± -			
3 PLC	± 0.25[0.01]			
4 PLC	± -			
ANGLES	± 4°			
MATERIAL	FINISH	WEIGHT	-	
CUSTOMER DRAWING		SCALE	2:1	SHEET 5 of 5
TE Connectivity		GEMINI A SERIES ROCKER SWITCH SINGLE POLE		RESTRICTED TO
A2 00779		C=1571986		REV A9