

Photoelectric Sensors: EQ-30 Dimensions

Automation Control Products

- ▶ PLC Controls
- ▶ HM Panels
- ▶ Industrial Sensors
 - Area Sensors
 - Color Mark Sensors
 - Fiber Optic Sensors
 - Laser Sensors
 - Measurement Sensors
 - Optical Touch Switches
 - Photoelectric Sensors
 - CX-400 Version 2
 - CY-100
 - EX-10
 - EX-20
 - EX-30
 - EQ-500
 - FM
 - FM2
 - EX-F60/70
 - EX-F1
 - VF
 - NX5
 - RT-610
 - ▶ **EQ-30**
 - EZ-10
 - Pressure/Flow Sensors
 - Proximity Sensors
 - Safety Light Curtains
 - Semiconductor Sensors
 - Sensor Controllers
 - Special Usage Sensors
 - Static Ionizers
 - Video Borescopes
- ▶ Laser Markers
- ▶ Servos & Drives
- ▶ UV Curing Systems
- ▶ Machine Vision/ID Products
- ▶ Timers
- ▶ Limit Switches
- ▶ Temperature Controllers
- ▶ Counters
- ▶ Hour Meters
- ▶ Power Meters



- DOWNLOADS
- TRIAL UNIT
- CATALOG PDF
- SUPPORT
- SALES

- Overview
- Part Numbers
- Specifications
- Dimensions**

Dimensions/model drawings for this product appear below.

▶ [Download EQ-30 product catalog in PDF format for more in-depth information](#)

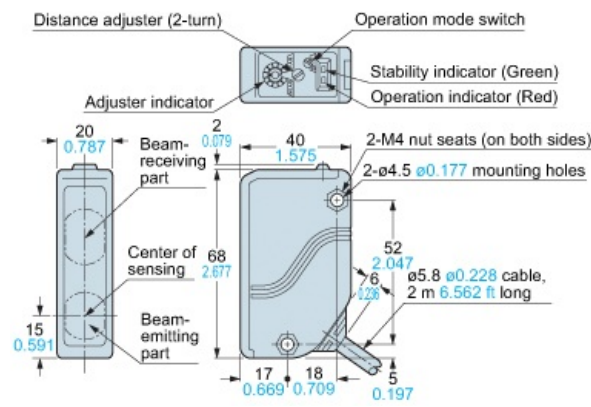
▶ [CAD data is available for this product \(results open in a new window\):](#)



Units are usually notated in **millimeters (mm)**.
(For some products, additional measurements may also be provided - notated as **inches (in)** or **inches (in)**.)

EQ-34 EQ-34-PN

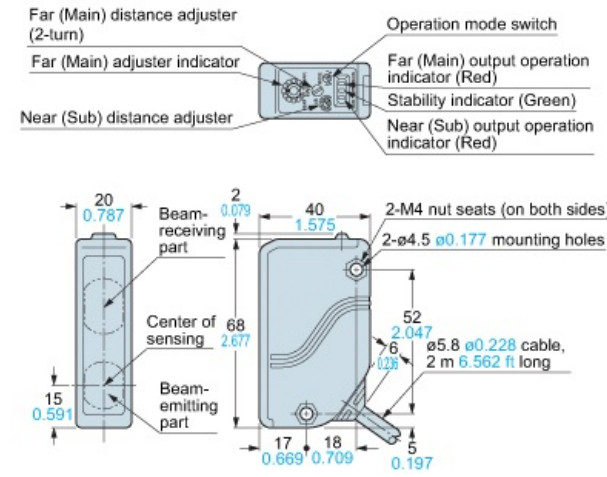
Sensor



[^ Back to top](#)

EQ-34W

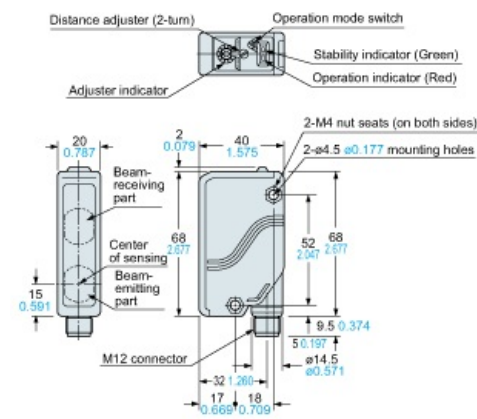
Sensor



[^ Back to top](#)

EQ-34-J EQ-34-PN-J

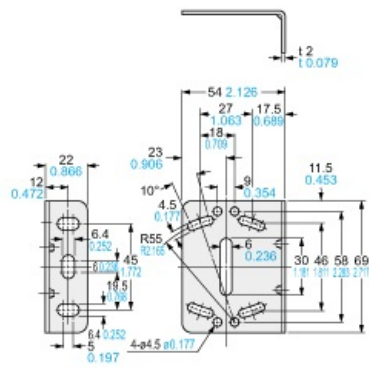
Sensor



[^ Back to top](#)

MS-EQ3-1

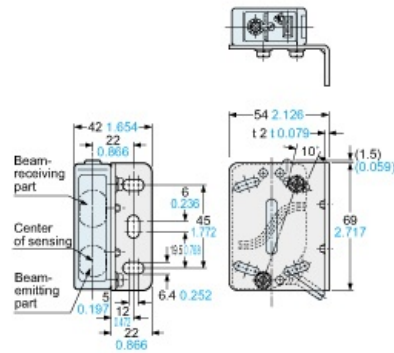
Sensor mounting bracket (Optional)



Material:
Cold rolled carbon steel (SPCC)
Two M4 (length 25 mm 0.984 in) screws with washers and two M4 nuts are attached.

Assembly dimensions

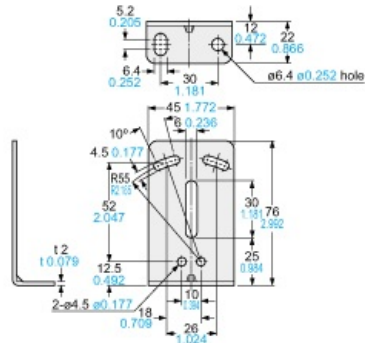
Mounting drawing with EQ-34



[^ Back to top](#)

MS-EQ3-2

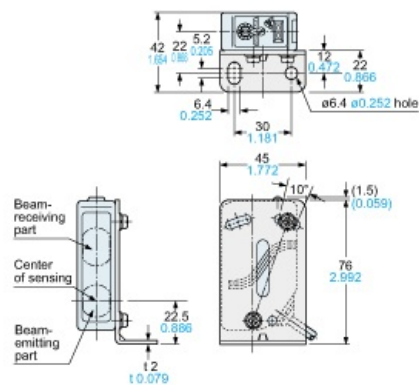
Sensor mounting bracket (Optional)



Material:
Cold rolled carbon steel (SPCC)
Two M4 (length 25 mm 0.984 in) screws with washers and two M4 nuts are attached.

Assembly dimensions

Mounting drawing with EQ-34



[^ Back to top](#)