

Fuse Clips for Printed Circuit Boards

For ATC, 5mm, 1/4" & 13/32" Diameter Fuses

1AXXXX Series

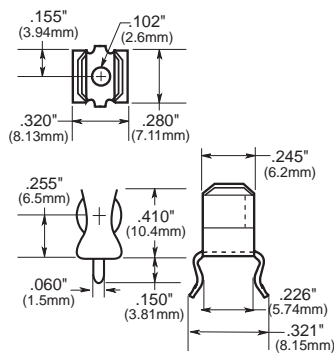
Series

1A4534 Series

For 1/4" Diameter Fuses

With End Stops & Angled Out Leads

Dimensional Data



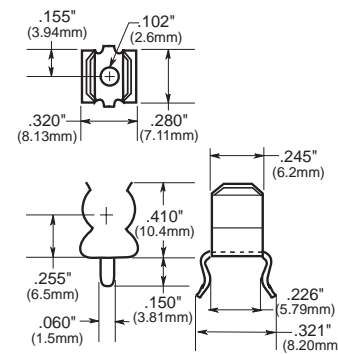
| Catalog Number | Clip Mat.* | Finish |
|----------------|-------------|------------|
| 1A4534-01 | BeCu** | Bright Tin |
| 1A4534-06 | Cart. Brass | Bright Tin |
| 1A4534-07 | Spg. Br. | Bright Tin |

1A4533 Series

For 1/4" Diameter Fuses

Without End Stops & Angled Out Leads

Dimensional Data



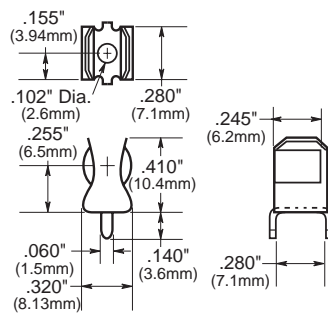
| Catalog Number | Clip Mat.* | Finish |
|----------------|-------------|------------|
| 1A4533-01 | BeCu** | Bright Tin |
| 1A4533-06 | Cart. Brass | Bright Tin |
| 1A4533-07 | Spg. Br. | Bright Tin |

1A1907 Series

For 1/4" Diameter Fuses

With End Stops & Straight Leads

Dimensional Data



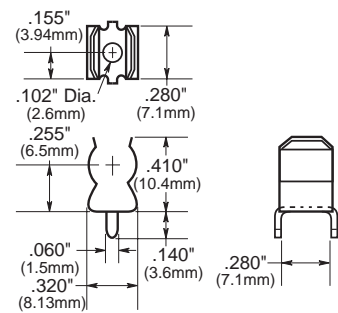
| Catalog Number | Clip Mat.* | Finish |
|----------------|-------------|--------------------|
| 1A1907-02 | Cart. Brass | None Bright Dipped |
| 1A1907-03 | BeCu** | Bright Tin |
| 1A1907-05 | BeCu** | Silver |
| 1A1907-06 | Cart. Brass | Bright Tin |
| 1A1907-07 | Spg. Br. | Bright Tin |

1A3398 Series

For 1/4" Diameter Fuses

Without End Stops & Straight Leads

Dimensional Data



| Catalog Number | Clip Mat.* | Finish |
|----------------|-------------|------------|
| 1A3398-07 | Cart. Brass | Bright Tin |
| 1A3398-08 | Spg. Br. | Bright Tin |

*Spg. Br. - Spring Bronze; BeCu - Beryllium Copper; Cart. Brass - Cartridge Brass

**Beryllium copper recommended for currents higher than 15 amps (1/4" clips).

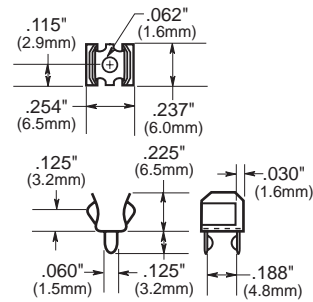
Fuse Clips for Printed Circuit Boards

For ATC, 5mm, 1/4" & 13/32" Diameter Fuses

1AXXXX Series

1A3399 and 1A5018 Series
For 5mm Diameter Fuses
With Straight Leads

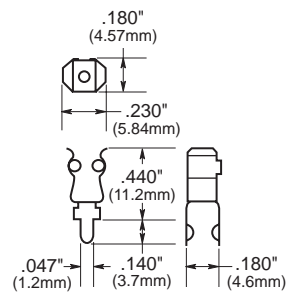
Dimensional Data



| Catalog Number | Clip Mat.* | Finish |
|----------------|------------|------------|
| 1A3399-10 | Spg. Br. | Bright Tin |
| 1A3399-01 | BeCu** | Silver |
| 1A3399-04 | BeCu** | Bright Tin |

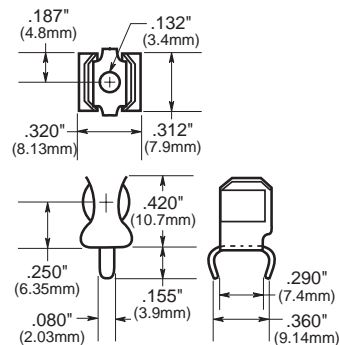
High Profile

| Catalog Number | Clip Mat.* | Finish |
|----------------|------------|------------|
| 1A5018-10 | Spg. Br. | Bright Tin |
| 1A5018-7 | Spg. Br. | Silver |



1A1119 Series
For 1/4" Diameter Fuses
With End Stops and Angled In leads

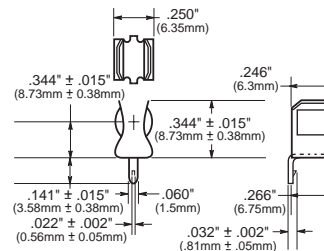
Dimensional Data



| Catalog Number | Clip Mat.* | Finish |
|----------------|-------------|------------|
| 1A1119-04 | BeCu** | Bright Tin |
| 1A1119-05 | BeCu** | Silver |
| 1A1119-10 | Cart. Brass | Bright Tin |
| 1A1119-13 | Spg. Br. | Bright Tin |

1A5601 Series
For 5mm Diameter Fuses (0 to 7 amps)

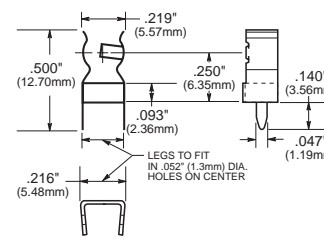
Dimensional Data



| Catalog Number | Clip Mat.* | Finish |
|----------------|-------------|------------|
| 1A5601 | Cart. Brass | Bright Tin |

1A5602 Series
For 5mm Diameter Fuses (0 to 7 Amps)

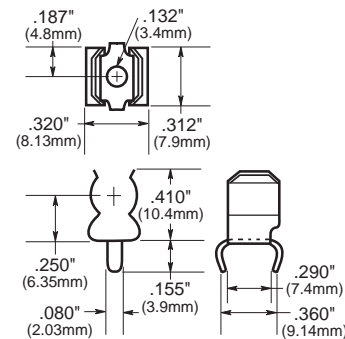
Dimensional Data



| Catalog Number | Clip Mat. | Finish |
|----------------|-------------|------------|
| 1A5602 | Cart. Brass | Bright Tin |

1A1120 Series
For 1/4" Diameter Fuses
Without End Stops and Angled In Leads

Dimensional Data



| Catalog Number | Clip Mat.* | Finish |
|----------------|-------------|--------------------|
| 1A1120-02 | Cart. Brass | Bright Dip |
| 1A1120-05 | BeCu** | Silver |
| 1A1120-06 | BeCu** | Bright Tin |
| 1A1120-09 | Cart. Brass | Bright Tin |
| 1A1120-12 | Spg. Br. | Bright Tin |
| 1A1120-11 | Spg. Br. | None Bright Dipped |

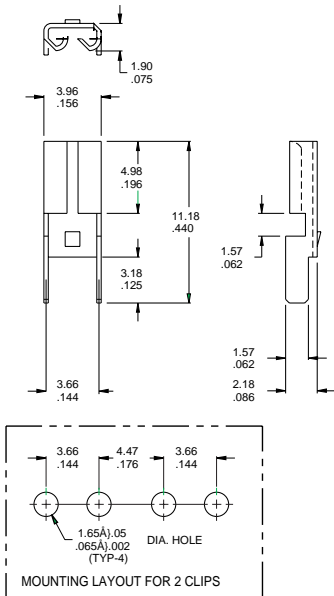
*Spg. Br. - Spring Bronze; BeCu - Beryllium Copper; Cart. Brass - Cartridge Brass
**Beryllium copper recommended for currents higher than 15 amps (1/4" clips).

Fuse Clips for Printed Circuit Boards

For ATC, 5mm, 1/4" & 13/32" Diameter Fuses

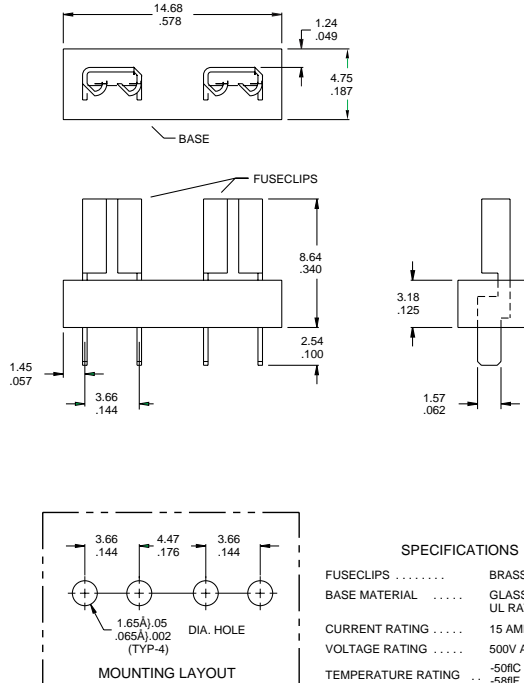
1AXXX Series

1A5778 Series



MATERIAL: BRASS, NICKEL PLATED, .30/.012 THICK

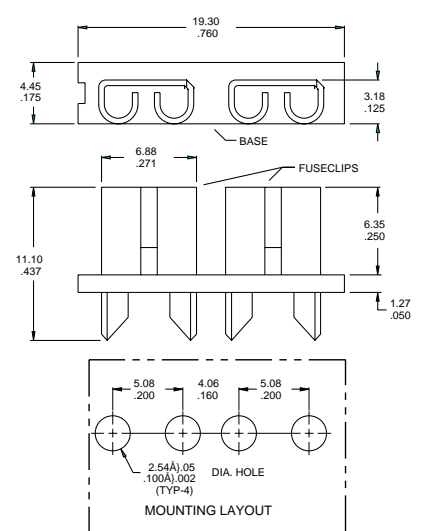
1A5779 Series



SPECIFICATIONS

| | |
|--------------------|------------------------------------|
| FUSECLIPS | BRASS, NICKEL PLATED |
| BASE MATERIAL | GLASS FILLED NYLON, UL RATED 94V-0 |
| CURRENT RATING | 15 AMPS |
| VOLTAGE RATING | 500V AC |
| TEMPERATURE RATING | -50°C TO 145°C / -58°F TO 292°F |

1A5780 Series



SPECIFICATIONS

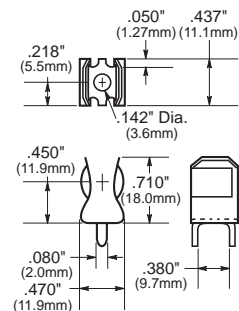
| | |
|--------------------|------------------------------------|
| FUSECLIPS | BRASS, NICKEL PLATED |
| BASE MATERIAL | GLASS FILLED NYLON, UL RATED 94V-0 |
| CURRENT RATING | 15 AMPS |
| VOLTAGE RATING | 500V AC |
| TEMPERATURE RATING | -50°C TO 145°C / -58°F TO 292°F |

1A3400 Series

For 13/32" Diameter Fuses (20 Amps Maximum)

With End Stops & Straight Leads

Dimensional Data

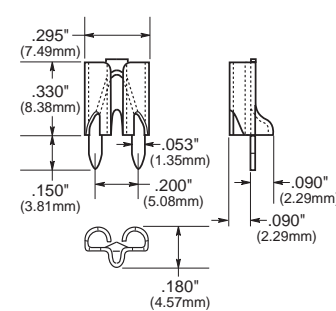


| Catalog Number | Clip Mat.* | Finish |
|----------------|------------|------------|
| 1A3400-09 | Spg. Br. | Bright Tin |

1A5600 Series

For ATC® Fuses (0 to 20 Amps)

Dimensional Data



| Catalog Number | Clip Mat.* | Finish |
|----------------|-------------|------------------|
| 1A5600 | Cart. Brass | Satin Finish Tin |

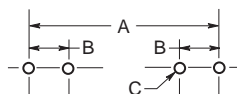
*Spg. Br. - Spring Bronze; BeCu - Beryllium Copper; Cart. Brass - Cartridge Brass
 **Beryllium copper recommended for currents higher than 15 amps (1/4" clips).

Fuse Clips for Printed Circuit Boards

For ATC, 5mm, 1/4" & 13/32" Diameter Fuses

1AXXXX Series

Footprint Dimensional Data



| Catalog Number | Dimensions | | | | | | ATC | ATM | B Tabs | C (4 holes) | Board Thickness |
|----------------|------------|---------|----------|------------------|-------------------|--------------------------------|-----------------|-----------------|------------------|--------------------------------|-----------------------|
| | 7/8" | 1" | 1 1/4" | 1 3/8" | 1 1/2" | 20mm | | | | | |
| 1A5778- | — | — | — | — | — | — | — | 464" (11.79) | .144" (3.66) | .065" ± .002" (1.65 ± .05) | .062" (1.57) |
| 1A5779- | — | — | — | — | — | — | — | 464" (11.79) | .144" (3.66) | .065" ± .002" (1.65 ± .05) | .062" (1.57) |
| 1A5780- | — | — | — | — | — | — | .560 (14.22) | — | .200" (5.08) | .100" ± .002" (2.54 ± .05) | .062" (1.57) |
| 1A3398- | 1.00" | 1.125" | 1.375" | — | — | — | — | 295" - .305" | .067" - .070" | .093" | .093" |
| 1A1907- | (25.40) | (28.58) | (34.920) | — | — | — | — | (7.49 - 7.75) | (1.70 - 1.78) | (2.36) | (2.36) |
| 1A1119- | 1.00" | 1.125" | 1.375" | — | — | — | — | .295" - .305" | .093" ± .002" | .062" to .125" | .062" to .125" |
| | (25.40) | (28.58) | (34.92) | — | — | — | — | (7.49 - 7.75) | (2.36 ± .05) | (1.57 to 3.18) | (1.57 to 3.18) |
| 1A1120- | 1.00" | 1.125" | 1.375" | — | — | — | — | .295" - .305" | .093" ± .002" | .062" to .125" | .062" to .125" |
| | (25.40) | (28.58) | (34.920) | — | — | — | — | (7.49 - 7.75) | (2.36 ± .05) | (1.57 to 3.18) | (1.57 to 3.18) |
| 1A3399- | — | — | — | — | — | .875" (22.23) | — | — | .200" (5.08) | .067" - .070" (1.70 - 1.78) | .093" (2.36) |
| 1A3400- | — | — | — | 1.50" (38.10) | 1.625" (41.28) | — | — | — | .405" (10.29) | .091" - .095" (2.31 - 2.41) | .125" (3.18) |
| 1A4533- | 1.00" | 1.125" | 1.375" | — | — | — | — | — | .300" (7.62) | .067" - .070" (1.70 - 1.78) | .062" (1.57) |
| | (25.40) | (28.58) | (34.920) | — | — | — | — | — | (7.62) | (1.70 - 1.78) | (1.57) |
| 1A4534- | 1.00" | 1.125" | 1.375" | — | — | — | — | — | .300" (7.62) | .067" - .070" (1.70 - 1.78) | .062" (1.57) |
| | (25.40) | (28.58) | (34.920) | — | — | — | — | — | (7.62) | (1.70 - 1.78) | (1.57) |
| 1A5018- | — | — | — | — | — | .820" ± .015" (20.80 ± .38) | — | — | .180" (4.6) | .053" - .002" (1.35 - 0.05) | .093" (2.36) |
| 1A5600- | — | — | — | — | — | — | — | — | .200" (5.08) | .052" ± .003" (1.32 ± .077) | .125" max. (3.18) |
| 1A5601- | — | — | — | — | — | .820" ± .015" (20.80 ± .38) | — | — | .266" (6.76) | .067" ± .003" (1.70 ± .074) | .062" (1.57) |
| 1A5602- | — | — | — | — | — | — | — | — | .220" (5.588) | — | .125" max. (3.175) |

*Spg. Br. - Spring Bronze; BeCu - Beryllium Copper; Cart. Brass - Cartridge Brass

**Beryllium copper recommended for currents higher than 15 amps (1/4" clips).

The only controlled copy of this BIF document is the electronic read-only version located on the Bussmann Network Drive. All other copies of this document are by definition uncontrolled. This bulletin is intended to clearly present comprehensive product data and provide technical information that will help the end user with design applications. Bussmann reserves the right, without notice, to change design or construction of any products and to discontinue or limit distribution of any products. Bussmann also reserves the right to change or update, without notice, any technical information contained in this bulletin. Once a product has been selected, it should be tested by the user in all possible applications.