

SurgePOD™ PRO UL Listed Type 1 surge protective devices

RoHS



Features:

- These SPDs are easily selected and installed on the loadside or lineside of the service entrance overcurrent protective device
- Voltage specific models precisely match and protect electrical systems and equipment better than “one-size-fits-all” SPDs
- Thermal disconnect technology eliminates the need for additional fusing
- Compact UV resistant NEMA 4X enclosure for indoor or outdoor installation
- *easyID*™ LED status indicator provides surge protection status at a glance
- Two year warranty

Specifications:

Ratings

- See ratings and specifications tables on page 2

Agency information

- UL Listed Type 1 1449 4th Edition
- RoHS compliant

Catalog symbols:

- SPP_

Description:

Bussmann™ series SurgePOD™ PRO Type 1 surge protective devices are suitable for installation on both the loadside or lineside of the service entrance overcurrent protective device.

SurgePOD PRO SPDs are available in popular voltage and system specific versions to match common residential and light commercial electrical system and equipment requirements. They deliver superior surge protection using MOV thermal disconnect technology that eliminates the need for additional overcurrent protection.

Parallel connection to the electrical system permits the SurgePOD PRO SPD to be installed on any ampacity panel.

Catalog numbers	Volts AC	System type
SPP40SP1120SN	120	Single-phase
SPP40SP2240PN	240	Split-phase
SPP40SP3240DLG	240	3-phase Delta
SPP40SP3480DLG	480	
SPP40SP3208WYG	208	3-phase Wye
SPP40SP3480WYG	480	



Powering Business Worldwide

SurgePOD PRO ratings and specifications:

Voltages and system types

Catalog number	Nominal system voltage	Max. Continuous Operating Voltage AC (MCOV) (VC)	System type	Connection points
SPP40SP1120SN	120V	150V	Single-phase 2 wire	2
SPP40SP2240PN	120/240V	150V	Split-phase 3 wire	3
SPP40SP3240DLG	240V	320V	Three-phase Delta 3 wire + G	4
SPP40SP3480DLG	480V	550V	Three-phase Delta 3 wire + G	4
SPP40SP3208WYG	208V	150V	Three-phase Wye 3 wire + G	4
SPP40SP3480WYG	480V	320V	Three-phase Wye 3 wire + G	4

Specifications

For all SurgePOD PRO units	Values	
Short Circuit Current Rating (SCCR)	200kA	
Discharge current (8x20µs)	Nominal I _n	10kA
	Maximum I _{max}	40kA
Response time (ns) t _A	<25ns	
Frequency	50/60Hz	
Operating state/fault indication	Bi-color LED - green (good) / red (replace)	
Conductor length/guage	18 inches, 10AWG stranded tinned copper	
Mounting	Chase nipple / bracket*	
Enclosure/flammability ratings	NEMA 4X - UL 94-5VA	
Degree of protection (installed state)	IP20 (finger-safe)	
SPD install location	Indoor/outdoor	
Circuit location	Lineside or loadside of service entrance overcurrent protective device	
Standard	UL Listed Type 1 1449 4 th Edition	
Agency information	cULus, RoHS compliant	
Warranty	2 Years**	
Operating temperature range	-40°C to +65°C	
Maximum operating altitude	12000FT	

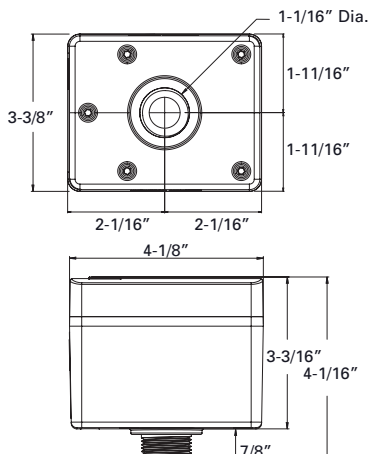
* Customer-supplied bracket.

** See Eaton Bussmann SPD Limited Warranty Statement (3A1502) for details at www.cooperbussmann.com/Surge.

Voltage Protection Ratings (VPRs)

Catalog number	Nominal system voltage	MCOV (VC)	Voltage Protection Ratings (VPRs)		
			L-N	L-L	L-G
SPP40SP1120SN	120V	150V	700	—	—
SPP40SP2240PN	120V/240V	150V	700	1200	—
SPP40SP3240DLG	240V	320V	—	2500	1200
SPP40SP3480DLG	480V	550V	—	3000	1800
SPP40SP3208WYG	208V	150V	—	1200	700
SPP40SP3480WYG	480V	320V	—	2500	1200

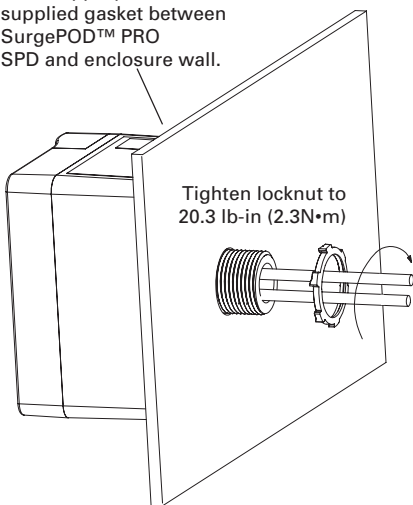
Dimensions — in



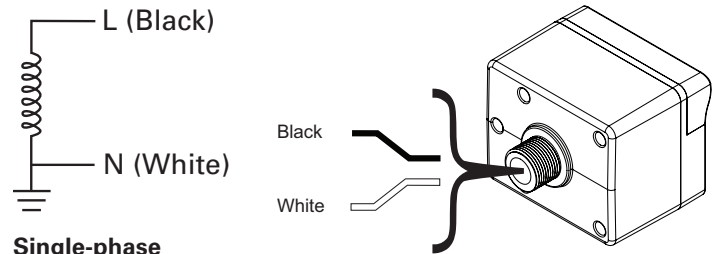
Mounting

SurgePOD PRO is a panel mount device. It may also be mounted using a customer supplied bracket or directly onto a female threaded conduit fitting.

For NEMA 4X installation, install appropriate, customer-supplied gasket between SurgePOD™ PRO SPD and enclosure wall.



Wiring connections

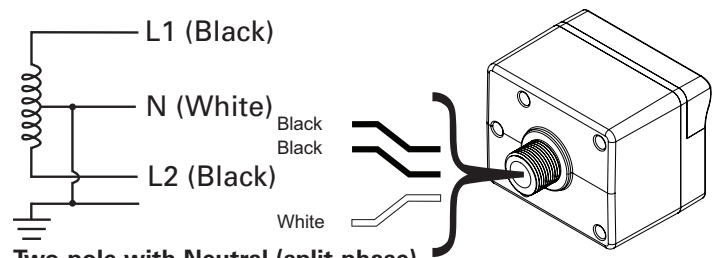


Single-phase

120V (L-N) 2 Wire

Must be installed within 10 feet (3m) of a bonded neutral-ground connection per IEEE C62.41-1991.

Catalog number: SPP40SP1120SN

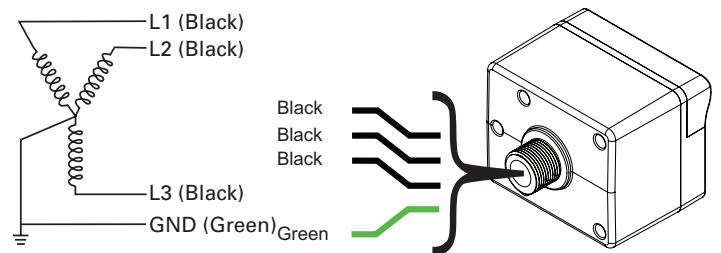


Two-pole with Neutral (split-phase)

120V (L-N) / 240V (L1-L2), single-phase (split) center tap

For installations at or less than 10 feet (3m) from the transformer.

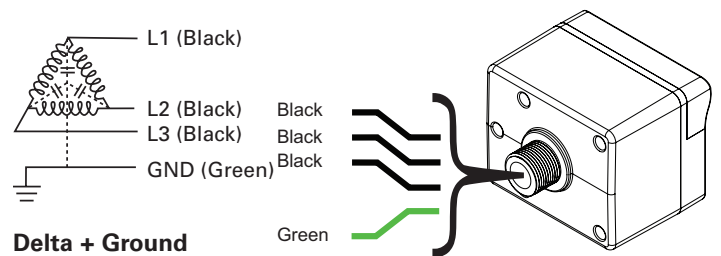
Catalog number: SPP40SP2240PN



Wye + Ground

208, 480V (L-L) 3 wire Wye + Ground

Catalog numbers: SPP40SP3208WYG, SPP40SP3480WYG



Delta + Ground

240, 480V (L-L) 3 wire Delta + Ground

Catalog numbers: SPP40SP3240DLG, SPP40SP3480DLG

easyID LED status indicator

The *easyID* LED status indicator will illuminate when the unit is properly installed and the system or equipment being protected is energized. The following LED color/status indicates:



GREEN LED = Good

- The circuit is energized and protected.



RED LED = Replace

- The circuit is energized and unprotected.
- The unit needs replacing.



LED is Out / Unlit:

- The circuit is most likely deenergized
- The unit's leads are disconnected
- The unit is damaged

Authorized personnel should follow all prescribed lockout/tagout and safety procedures in troubleshooting the cause for the above conditions. Opening SurgePOD PRO enclosure will void UL listing and warranty.

The only controlled copy of this data sheet is the electronic read-only version located on the Eaton network drive. All other copies of this document are by definition uncontrolled. This bulletin is intended to clearly present comprehensive product data and provide technical information that will help the end user with design applications. Eaton reserves the right, without notice, to change design or construction of any products and to discontinue or limit distribution of any products. Eaton also reserves the right to change or update, without notice, any technical information contained in this bulletin. Once a product has been selected, it should be tested by the user in all possible applications.

Eaton
1000 Eaton Boulevard
Cleveland, OH 44122
Eaton.com

Bussmann Division
114 Old State Road
Ellisville, MO 63021
United States
Eaton.com/bussmannseries

© 2016 Eaton
All Rights Reserved
Printed in USA
Publication No. 10033 — BU-SB13071
February 2016

Eaton, Bussmann, SurgePOD and *easyID* are valuable trademarks of Eaton in the U.S. and other countries. You are not permitted to use the Eaton trademarks without prior written consent of Eaton.
NEMA
UL

For Eaton's Bussmann series
product information,
call **1-855-287-7626** or visit:
Eaton.com/bussmannseries