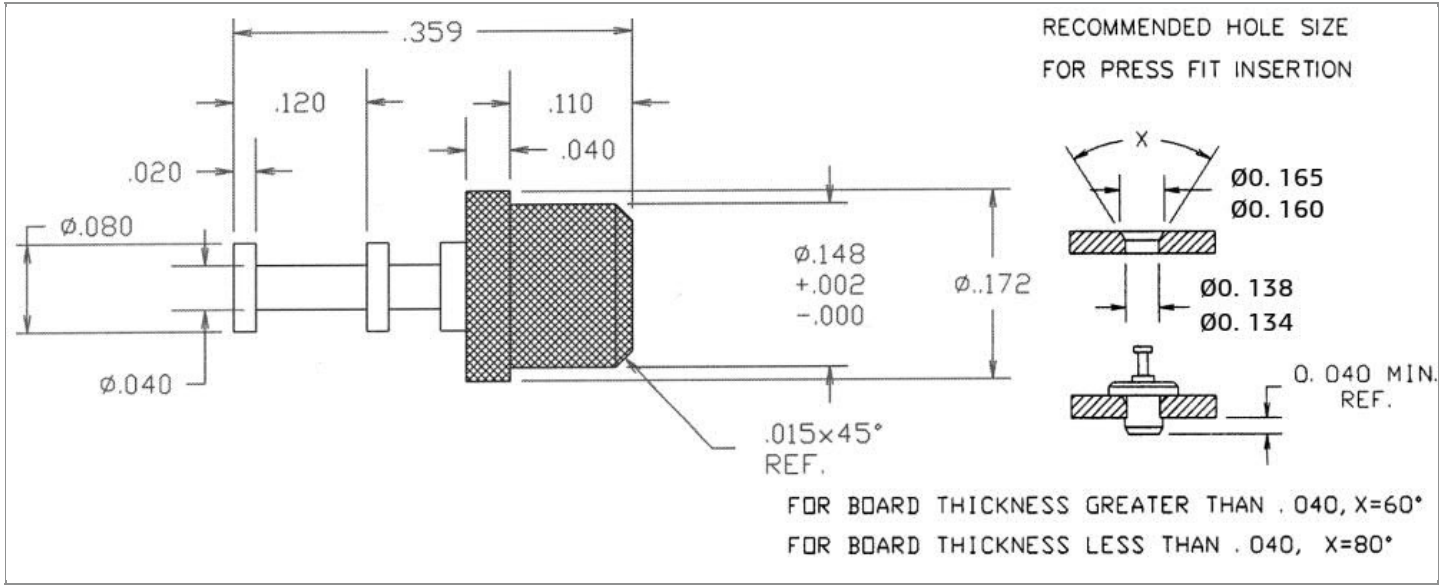


|                        |                                       |
|------------------------|---------------------------------------|
| <b>DRAWING NUMBER:</b> | <b>1102-14M-XXXXZ</b>                 |
| <b>PRODUCT GROUP:</b>  | TERMINALS                             |
| <b>SUB-GROUP:</b>      | MILITARY INSULATED TERMINALS          |
| <b>DESCRIPTION:</b>    | PTFE INSULATED DOUBLE TURRET TERMINAL |



| PIN DIAMETER            | OVERALL LENGTH     | MOUNTING ORIENTATION | BOARD / PANEL MOUNTING METHOD |
|-------------------------|--------------------|----------------------|-------------------------------|
| N/A                     | 0.359"             | VERTICAL             | PRESS FIT                     |
| BOARD / PANEL THICKNESS | MOUNTING HOLE SIZE | DRILL SIZE           | FEED THRU COMBINATION         |
| UP TO 1/16"             | 0.136" ± 0.002     | #29                  | N/A                           |

**PART NO. STRUCTURE:\***

|             |   |            |   |           |  |                  |
|-------------|---|------------|---|-----------|--|------------------|
| <b>1102</b> | - | <b>14M</b> | - | <b>XX</b> |  | <b>XX</b>        |
| PART SERIES |   | DIMENSION  |   | FINISH    |  | INSULATION COLOR |

\*If applicable, "Z" at the end of a PART NO. STRUCTURE indicates TERMINAL MATERIAL TYPE.

**MATERIAL OPTIONS:**

**1102-14M-XXXXZ**

| COMPONENT         | MATERIAL        | MATERIAL AND SPECIFICATION                  |
|-------------------|-----------------|---|
| TERMINAL          | PHOSPHOR BRONZE | PHOSPHOR BRONZE PER ASTM B139, ALLOY C54400 |
| BASE/METAL SLEEVE | N/A             | N/A   |
| INSULATION*       | PTFE            | PTFE PER ASTM D1710                         |
| NUT               | N/A             | N/A   |
| WASHER            | N/A             | N/A   |

\*For Insulation color, please see INSULATION COLOR OPTIONS on Page 2

FINISH - PLATING OPTIONS:

1102-14M-XXXXZ

| FINISH CODE | COMPONENT         | FINISH          | FINISH AND SPECIFICATION   |
|-------------|-------------------|-----------------|--|
| 05          | TERMINAL          | ELECTRO-SOLDER  | 0.000300"MIN. ELECTRO-SOLDER PER SAE-AMS-P-81728 OVER 0.000100"MIN. COPPER PER SAE-AMS-2418          |
|             | BASE/METAL SLEEVE | N/A             | N/A  |
|             | NUT               | N/A             | N/A  |
|             | WASHER            | N/A             | N/A  |
| 088         | TERMINAL          | BRIGHT TIN-LEAD | 0.000300"MIN. BRIGHT TIN-LEAD (Sn93%-Pb7%) PER ASTM B545 OVER 0.000100"MIN. COPPER PER SAE-AMS-2418  |
|             | BASE/METAL SLEEVE | N/A             | N/A  |
|             | NUT               | N/A             | N/A  |
|             | WASHER            | N/A             | N/A  |
| 095         | TERMINAL          | HOT SOLDER DIP  | 0.000100"MIN. HOT SOLDER DIP USING Sn60 PER IPC-J-STD-006 OVER 0.000100"MIN. COPPER PER SAE-AMS-2418 |
|             | BASE/METAL SLEEVE | N/A             | N/A  |
|             | NUT               | N/A             | N/A  |
|             | WASHER            | N/A             | N/A  |

INSULATION COLOR OPTIONS:

1102-14M-XXXXZ

| INSULATION COLOR | BLACK | BLUE | BROWN | GRAY | GREEN | ORANGE | RED | VIOLET | WHITE | YELLOW |
|------------------|-------|------|-------|------|-------|--------|-----|--------|-------|--------|
| COLOR CODE NO.   | 10    | 16   | 11    | 18   | 15    | 13     | 12  | 17     | 19    | 14     |

TOLERANCES:\*

| DECIMAL | FRACTIONAL | ANGULAR | DRAWING ORIGINATION DATE | LAST MODIFICATION DATE |
|---------|------------|---------|--------------------------|------------------------|
| ± 0.015 | N/A        | ± 3 °   | 9/12/1995                | 3/1/2017               |

\*All dimensions are in inches.

RoHS COMPLIANCE:

1102-14M-05XXZ

| PART NUMBER    | RoHS COMPLIANT |
|----------------|----------------|
| 1102-14M-0510Z | NO             |
| 1102-14M-0511Z | NO             |
| 1102-14M-0512Z | NO             |
| 1102-14M-0513Z | NO             |
| 1102-14M-0514Z | NO             |
| 1102-14M-0515Z | NO             |
| 1102-14M-0516Z | NO             |
| 1102-14M-0517Z | NO             |
| 1102-14M-0518Z | NO             |
| 1102-14M-0519Z | NO             |

1102-14M-088XXZ

| PART NUMBER     | RoHS COMPLIANT |
|-----------------|----------------|
| 1102-14M-08810Z | NO             |
| 1102-14M-08811Z | NO             |
| 1102-14M-08812Z | NO             |
| 1102-14M-08813Z | NO             |
| 1102-14M-08814Z | NO             |
| 1102-14M-08815Z | NO             |
| 1102-14M-08816Z | NO             |
| 1102-14M-08817Z | NO             |
| 1102-14M-08818Z | NO             |
| 1102-14M-08819Z | NO             |

1102-14M-095XXZ

| PART NUMBER     | RoHS COMPLIANT |
|-----------------|----------------|
| 1102-14M-09510Z | NO             |
| 1102-14M-09511Z | NO             |
| 1102-14M-09512Z | NO             |
| 1102-14M-09513Z | NO             |
| 1102-14M-09514Z | NO             |
| 1102-14M-09515Z | NO             |
| 1102-14M-09516Z | NO             |
| 1102-14M-09517Z | NO             |
| 1102-14M-09518Z | NO             |
| 1102-14M-09519Z | NO             |

MILITARY REFERENCE SPECIFICATIONS:

1102-14M-05XXZ

| PART NUMBER    | MIL SPECIFICATION | MIL PART NUMBER           | COMMERCIAL ITEM DESCRIPTION (CID) SPECIFICATION | CID PART NUMBER |
|----------------|-------------------|---------------------------|---|-----------------|
| 1102-14M-0510Z | MIL-T-55155/07    | M55155/070B01 (SE070B01Z) | A-A-59126/07                                    | AA59126/070B01  |
| 1102-14M-0511Z | MIL-T-55155/07    | M55155/071B01 (SE071B01Z) | A-A-59126/07                                    | AA59126/071B01  |
| 1102-14M-0512Z | MIL-T-55155/07    | M55155/072B01 (SE072B01Z) | A-A-59126/07                                    | AA59126/072B01  |
| 1102-14M-0513Z | MIL-T-55155/07    | M55155/073B01 (SE073B01Z) | A-A-59126/07                                    | AA59126/073B01  |
| 1102-14M-0514Z | MIL-T-55155/07    | M55155/074B01 (SE074B01Z) | A-A-59126/07                                    | AA59126/074B01  |
| 1102-14M-0515Z | MIL-T-55155/07    | M55155/075B01 (SE075B01Z) | A-A-59126/07                                    | AA59126/075B01  |
| 1102-14M-0516Z | MIL-T-55155/07    | M55155/076B01 (SE076B01Z) | A-A-59126/07                                    | AA59126/076B01  |
| 1102-14M-0517Z | MIL-T-55155/07    | M55155/077B01 (SE077B01Z) | A-A-59126/07                                    | AA59126/077B01  |
| 1102-14M-0518Z | MIL-T-55155/07    | M55155/078B01 (SE078B01Z) | A-A-59126/07                                    | AA59126/078B01  |
| 1102-14M-0519Z | MIL-T-55155/07    | M55155/079B01 (SE079B01Z) | A-A-59126/07                                    | AA59126/079B01  |

1102-14M-088XXZ

| PART NUMBER     | MIL SPECIFICATION | MIL PART NUMBER | COMMERCIAL ITEM DESCRIPTION (CID) SPECIFICATION | CID PART NUMBER |
|-----------------|-------------------|-----------------|---|-----------------|
| 1102-14M-08810Z | MIL-T-55155/07    | M55155/070D01   | A-A-59126/07                                    | AA59126/070D01  |
| 1102-14M-08811Z | MIL-T-55155/07    | M55155/071D01   | A-A-59126/07                                    | AA59126/071D01  |
| 1102-14M-08812Z | MIL-T-55155/07    | M55155/072D01   | A-A-59126/07                                    | AA59126/072D01  |
| 1102-14M-08813Z | MIL-T-55155/07    | M55155/073D01   | A-A-59126/07                                    | AA59126/073D01  |
| 1102-14M-08814Z | MIL-T-55155/07    | M55155/074D01   | A-A-59126/07                                    | AA59126/074D01  |

Continued on next page...

MILITARY REFERENCE SPECIFICATIONS CONTINUED:

1102-14M-088XXZ

| PART NUMBER     | MIL SPECIFICATION | MIL PART NUMBER | COMMERCIAL ITEM DESCRIPTION (CID) SPECIFICATION | CID PART NUMBER |
|-----------------|-------------------|-----------------|---|-----------------|
| 1102-14M-08815Z | MIL-T-55155/07    | M55155/075D01   | A-A-59126/07                                    | AA59126/075D01  |
| 1102-14M-08816Z | MIL-T-55155/07    | M55155/076D01   | A-A-59126/07                                    | AA59126/076D01  |
| 1102-14M-08817Z | MIL-T-55155/07    | M55155/077D01   | A-A-59126/07                                    | AA59126/077D01  |
| 1102-14M-08818Z | MIL-T-55155/07    | M55155/078D01   | A-A-59126/07                                    | AA59126/078D01  |
| 1102-14M-08819Z | MIL-T-55155/07    | M55155/079D01   | A-A-59126/07                                    | AA59126/079D01  |

1102-14M-095XXZ

| PART NUMBER     | MIL SPECIFICATION | MIL PART NUMBER | COMMERCIAL ITEM DESCRIPTION (CID) SPECIFICATION | CID PART NUMBER |
|-----------------|-------------------|-----------------|---|-----------------|
| 1102-14M-09510Z | MIL-T-55155/07    | M55155/070C01   | A-A-59126/07                                    | AA59126/070C01  |
| 1102-14M-09511Z | MIL-T-55155/07    | M55155/071C01   | A-A-59126/07                                    | AA59126/071C01  |
| 1102-14M-09512Z | MIL-T-55155/07    | M55155/072C01   | A-A-59126/07                                    | AA59126/072C01  |
| 1102-14M-09513Z | MIL-T-55155/07    | M55155/073C01   | A-A-59126/07                                    | AA59126/073C01  |
| 1102-14M-09514Z | MIL-T-55155/07    | M55155/074C01   | A-A-59126/07                                    | AA59126/074C01  |
| 1102-14M-09515Z | MIL-T-55155/07    | M55155/075C01   | A-A-59126/07                                    | AA59126/075C01  |
| 1102-14M-09516Z | MIL-T-55155/07    | M55155/076C01   | A-A-59126/07                                    | AA59126/076C01  |
| 1102-14M-09517Z | MIL-T-55155/07    | M55155/077C01   | A-A-59126/07                                    | AA59126/077C01  |
| 1102-14M-09518Z | MIL-T-55155/07    | M55155/078C01   | A-A-59126/07                                    | AA59126/078C01  |
| 1102-14M-09519Z | MIL-T-55155/07    | M55155/079C01   | A-A-59126/07                                    | AA59126/079C01  |

TOOLING:

| INSTALLATION TOOL:<br>ARBOR PRESS | INSTALLATION TOOL:<br>ANVIL<br>(ARBOR PRESS OPERATED) | INSTALLATION TOOL:<br>PRESS-FIT / ROLL SWAGE / RIVET PUNCH<br>(ARBOR PRESS OPERATED) | INSTALLATION TOOL:<br>PRESS-FIT<br>(HAND OPERATED) |
|-----------------------------------|---|--|--|
| TM1                               | TA1102-14   | TPI1102-14   | TTI1102-14   |

NOTES:

|                        |
|------------------------|
| <b>DATASHEET NOTES</b> |
|------------------------|

N/A

|                          |
|--------------------------|
| <b>INSTRUCTION NOTES</b> |
|--------------------------|

SEE GENERAL PRESS FIT INSTALLATION INSTRUCTION ON CONCORD ELECTRONICS' WEBSITE [WWW.CONCORD-ELECTRONICS.COM](http://WWW.CONCORD-ELECTRONICS.COM).