

# PTFE INSULATED TERMINALS

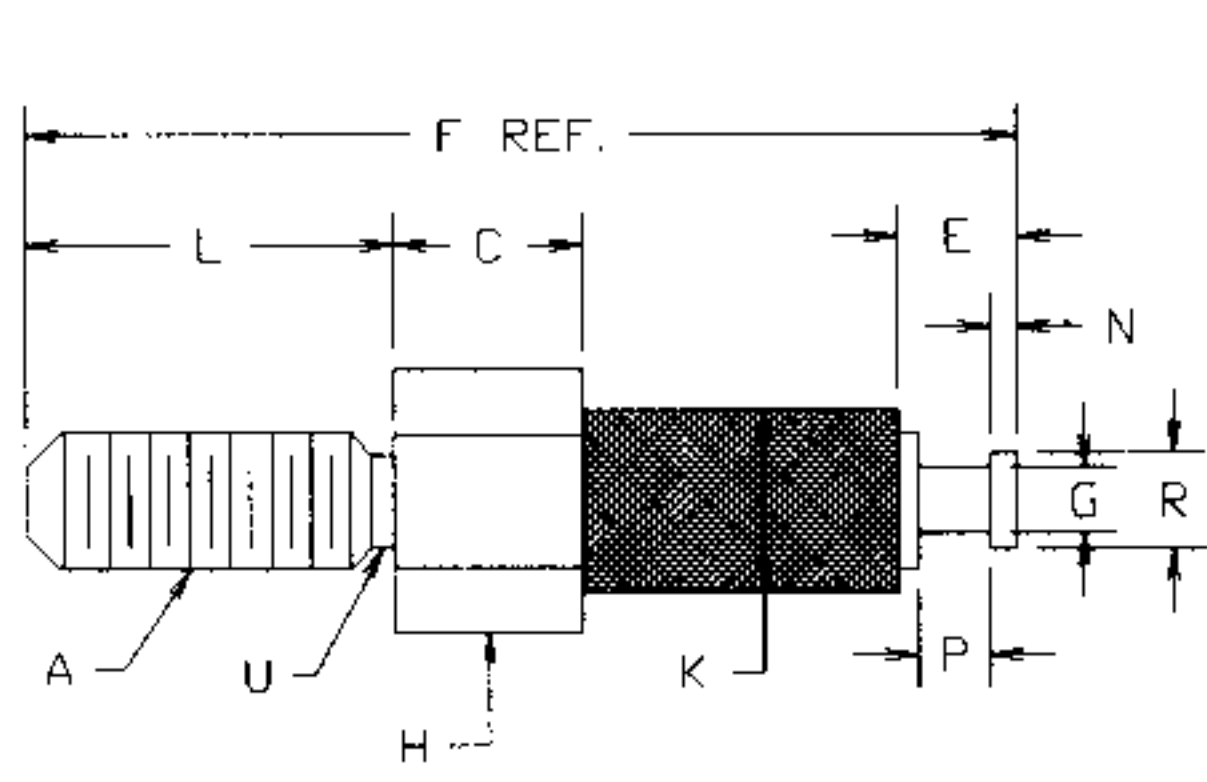


FIG.905

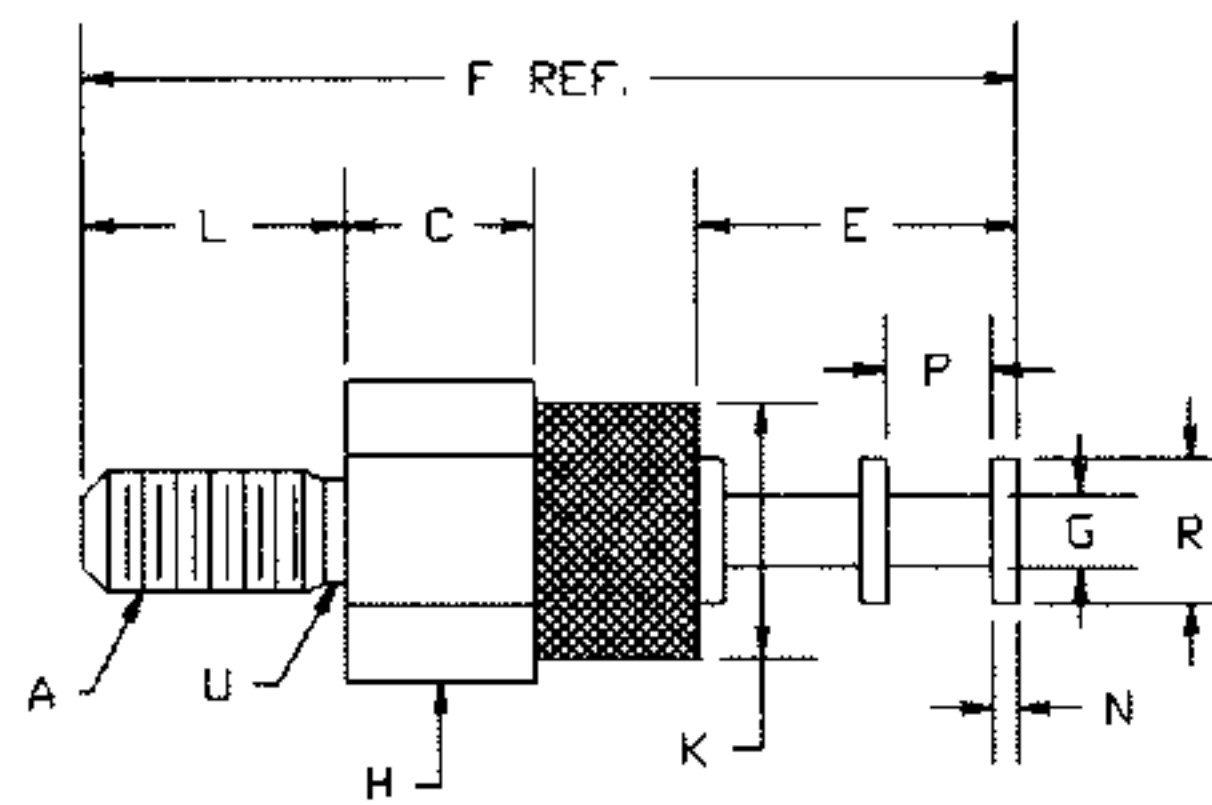


FIG.910

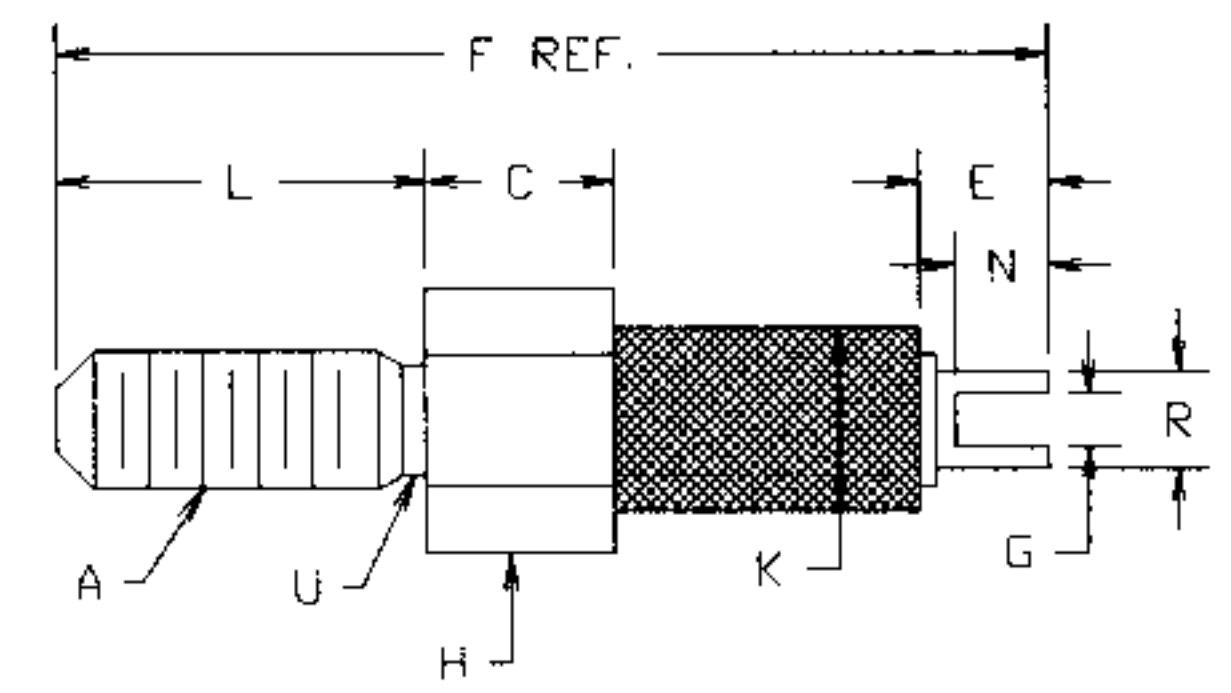


FIG.915

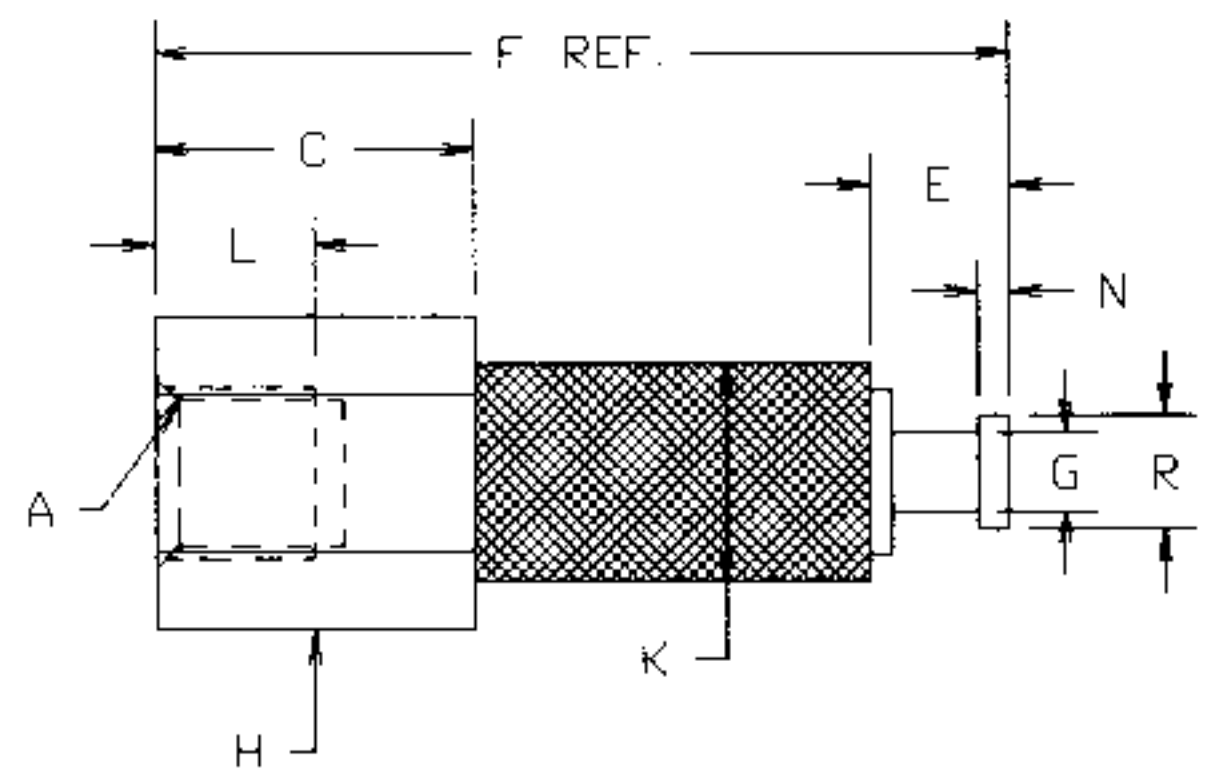


FIG.920

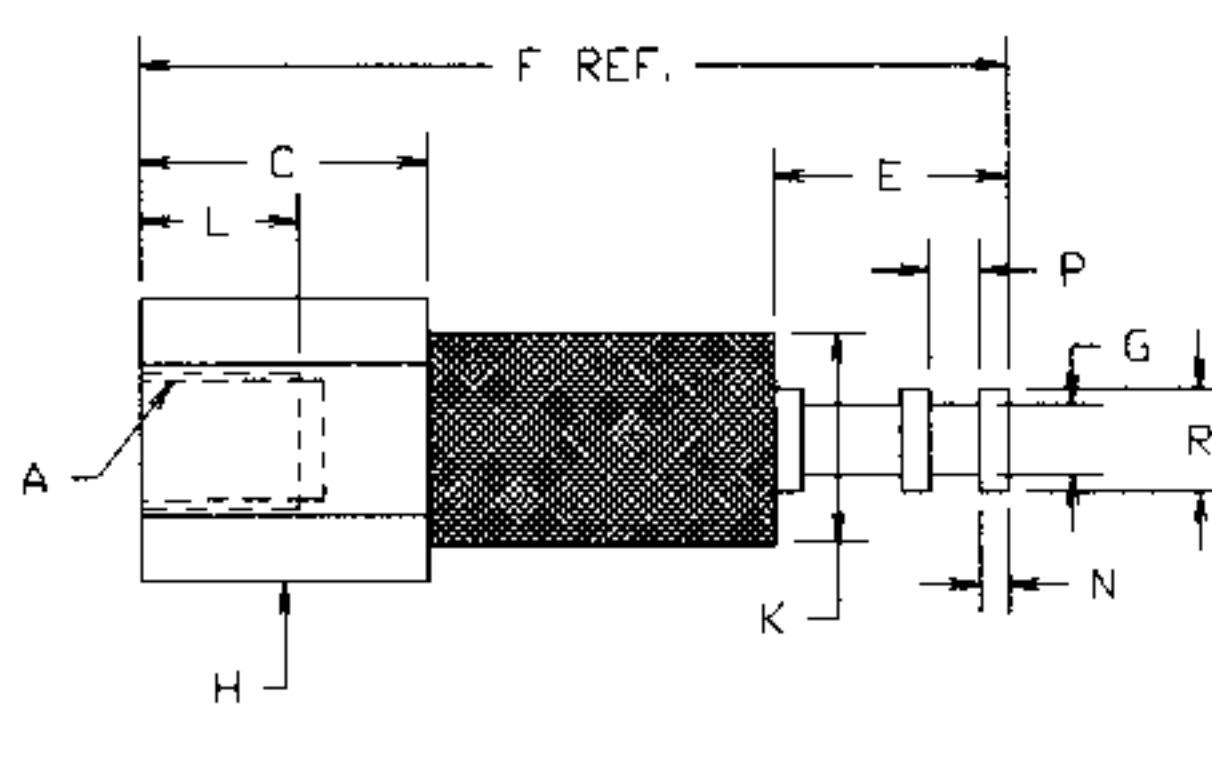


FIG.925

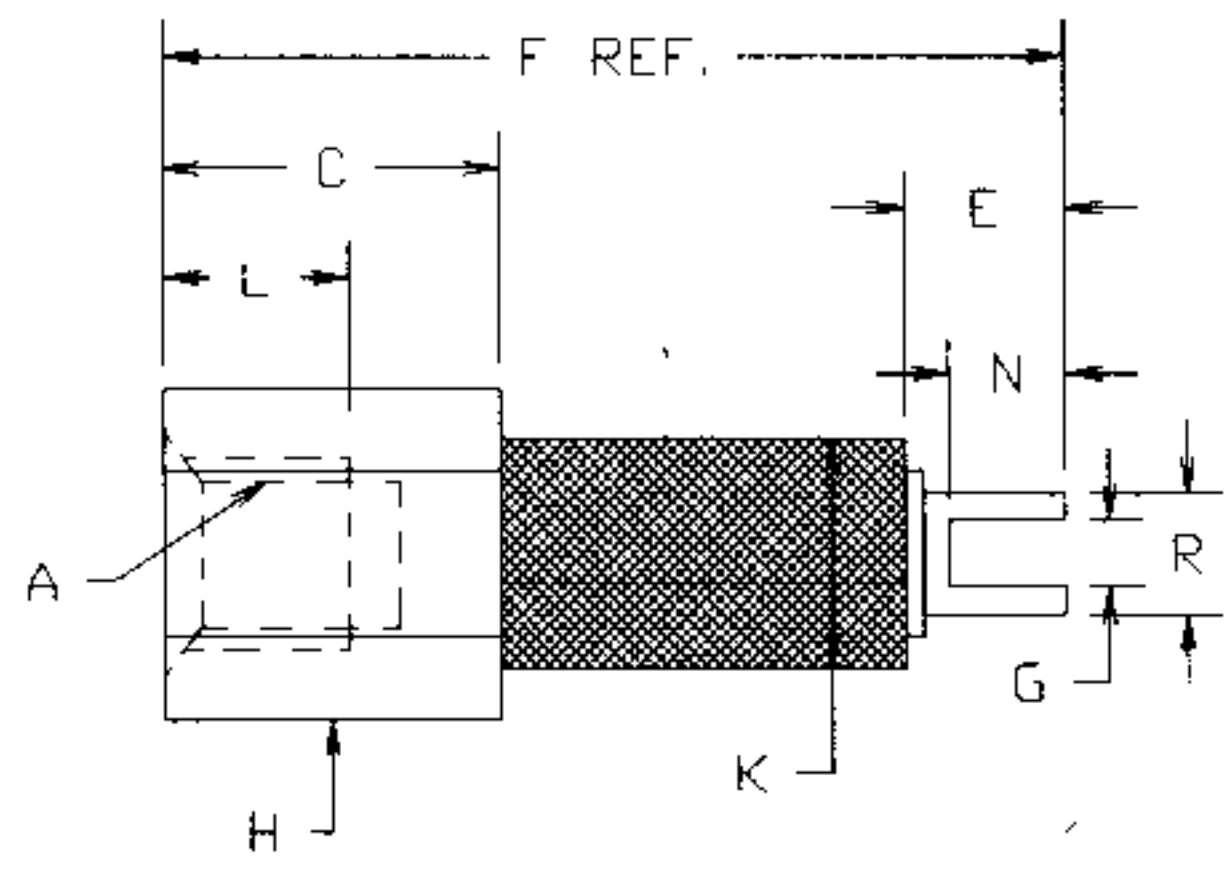


FIG.930

FIG.	PART NO.	A	C	E	F±.015	G	H	K	L	N	P	R
FIG.905	1125-96	4-40	.128	.079	.672	.045	5/32	.125	.250	.018	.049	.066
	1125-97	6-32	.128	.079	.672	.045	5/32	.125	.250	.018	.049	.066
	1126-35	4-40	.180	.180	.766	.069	1/4	.245	.250	.031	.120	.140
	1126-34	6-32	.180	.180	.766	.069	1/4	.245	.250	.031	.120	.140
	1126-40	4-40	.180	.180	1.344	.069	1/4	.245	.250	.031	.120	.140
	1126-41	6-32	.180	.180	1.344	.069	1/4	.245	.250	.031	.120	.140
FIG.910	1125-43	4-40	.128	.148	.750	.045	5/32	.125	.250	.018	.031	.066
	1126-37	6-32	.128	.148	.750	.045	5/32	.125	.250	.018	.031	.066
	1126-36	4-40	.180	.310	.890	.069	1/4	.245	.250	.025	.100	.140
	1125-45	6-32	.180	.310	.304	.069	1/4	.245	.250	.025	.100	.140
	1126-38	4-40	.180	.310	1.469	.069	1/4	.245	.250	.025	.100	.140
	1126-39	6-32	.180	.310	1.469	.069	1/4	.245	.250	.025	.100	.140
FIG.915	1126-44	4-40	.128	.087	.672	.036	5/32	.125	.250	.067	-	.066
	1126-47	6-32	.128	.087	.672	.036	5/32	.125	.250	.067	-	.066
	1126-43	4-40	.180	.174	.766	.060	1/4	.245	.250	.101	-	.140
	1126-42	6-32	.180	.174	.766	.060	1/4	.245	.250	.101	-	.140
	1126-45	4-40	.180	.174	1.343	.060	1/4	.245	.250	.101	-	.140
	1126-46	6-32	.180	.174	1.343	.060	1/4	.245	.250	.101	-	.140
FIG.920	1126-27	4-40	.181	.079	.484	.045	5/32	.125	.100	.018	-	.066
	1126-26	4-40	.258	.180	.594	.069	1/4	.245	.156	.031	-	.140
	1126-25	6-32	.258	.180	.594	.069	1/4	.245	.156	.031	-	.140
	1125-58	4-40	.258	.180	1.172	.069	1/4	.245	.156	.031	-	.140
	1126-30	6-32	.258	.180	1.172	.069	1/4	.245	.156	.031	-	.140
FIG.925	1125-42	4-40	.181	.148	.547	.045	5/32	.125	.100	.018	.031	.066
	1125-44	4-40	.258	.310	.718	.069	1/4	.245	.156	.025	.100	.140
	1125-46	6-32	.258	.304	.718	.069	1/4	.245	.156	.025	.100	.140
	1125-61	4-40	.258	.310	1.297	.069	1/4	.245	.156	.025	.100	.140
	1125-60	6-32	.258	.310	1.297	.069	1/4	.245	.156	.025	.100	.140
FIG.930	1126-31	4-40	.181	.087	.484	.036	5/32	.125	.100	.067	-	.066
	1125-93	4-40	.258	.174	.594	.060	1/4	.245	.156	.101	-	.140
	1125-80	6-32	.258	.174	.594	.060	1/4	.245	.156	.101	-	.140
	1126-32	4-40	.258	.174	1.172	.060	1/4	.245	.156	.101	-	.140
	1126-33	6-32	.258	.174	1.172	.060	1/4	.245	.156	.101	-	.140

TERMINAL: ELECTRO-SOLDER PLATED U-UNDERCUT AT MANUFACTURERS OPTION

