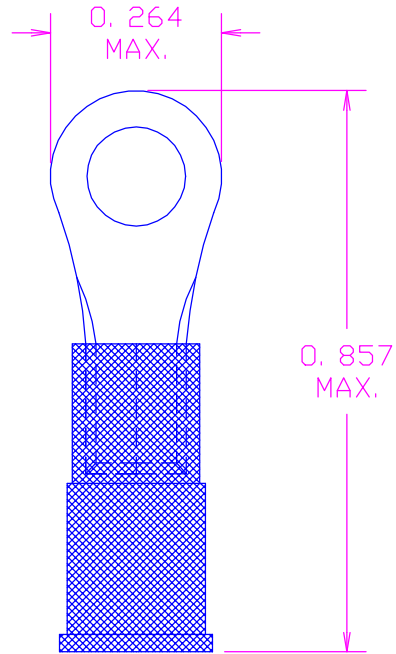
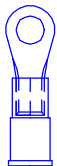


DATE	SYM	REVISION RECORD	AUTH.	DR.	CK.
12/27/96	-	ISSUED		NT	MM
7/25/00	A	REISSUED	JL	NT	JL



MATERIAL: TERMINAL- COPPER, .032"MAX. THICKNESS  
INSULATION- PVC (RED COLOR)  
WIRE RANGE: 22-18  
STUD SIZE: 5-6

ACTUAL SIZE



TOLERANCES (EXCEPT AS NOTED)	CONCORD ELECTRONICS CORPORATION			
DECIMAL + -	P/N	SCALE	30 GREAT JONES ST. NEW YORK N. Y. 10012	
FRACTIONAL + -	TITLE RING TONGUE TERMINAL			
ANGULAR + -	DATE 7-18-96	DRAWING NUMBER 701-2010		