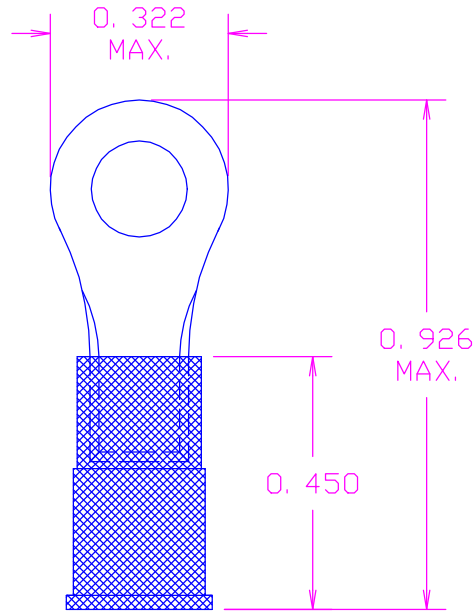
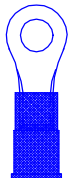


DATE	SYM	REVISION RECORD	AUTH.	DR.	CK.
5/2/01	-	ISSUED	JL	NT	JL



MATERIAL; TERMINAL- COPPER, .032"MAX. THICKNESS  
 INSULATION- PVC (BLUE COLOR)  
 WIRE RANGE: 16-14  
 STUD SIZE: 8(4)

ACTUAL SIZE



TOLERANCES (EXCEPT AS NOTED)	CONCORD		ELECTRONICS CORPORATION
DECIMAL +	P/N	SCALE	30 GREAT JONES ST. NEW YORK N. Y. 10012
FRACTIONAL +	TITLE RING TONGUE TERMINAL		
ANGULAR +	DATE 5/2/01	DRAWING NUMBER 701-2020	