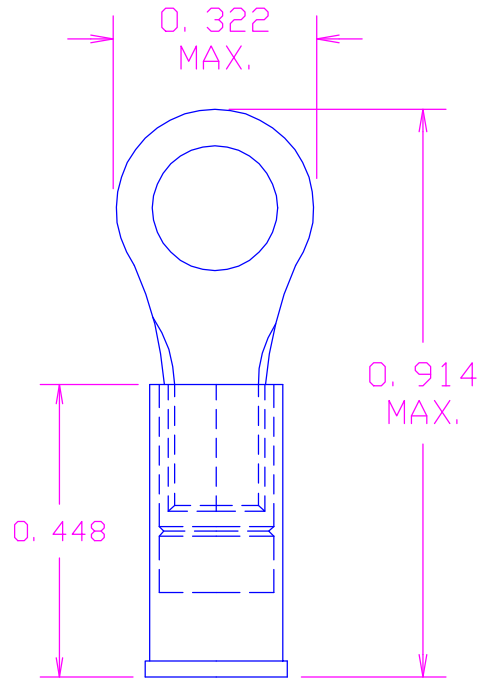


DATE	SYM	REVISION RECORD	AUTH.	DR.	CK.
5/9/03	-	ISSUED	JL	NT	JL



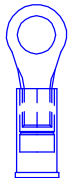
MATERIAL: TERMINAL- COPPER, .032" MAX. THICKNESS
 SLEEVE- BRASS
 INSULATION- NYLON

WIRE RANGE: 22-18

STUD SIZE: 10

MAX. WIRE INSULATION DIA.: .140

ACTUAL SIZE



TOLERANCES (EXCEPT AS NOTED)	CONCORD ELECTRONICS CORPORATION		
DECIMAL + -	P/N	SCALE	30 GREAT JONES ST. NEW YORK N. Y. 10012
FRACTIONAL + -	TITLE RING TONGUE TERMINAL		
ANGULAR + -	DATE 5/8/03	DRAWING NUMBER 701-2349	