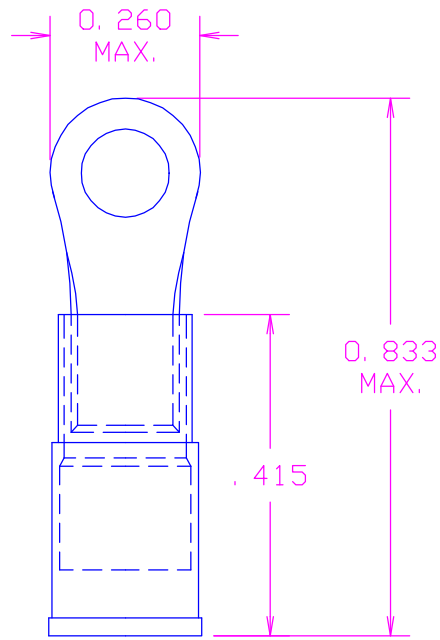


DATE	SYM	REVISION	RECORD	AUTH.	DR.	CK.
1/28/04	-	ISSUED		JL	NT	JL



WIRE RANGE: 16-14

STUD SIZE: 5-6

MATERIAL: TERMINAL- COPPER, .032"MAX. THICKNESS

SLEEVE- TIN PLATED BRASS

INSULATION- NYLON (BLUE)

TOLERANCES (EXCEPT AS NOTED)	CONCORD		ELECTRONICS CORPORATION
DECIMAL +	P/N	SCALE	30 GREAT JONES ST. NEW YORK N. Y. 10012
FRACTIONAL +	TITLE RING TONGUE TERMINAL		
ANGULAR +	DATE 1/28/04	DRAWING NUMBER 701-2487	