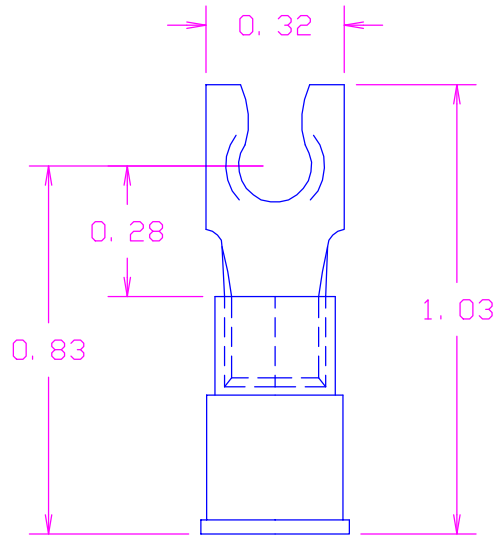
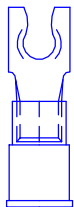


DATE	SYM	REVISION RECORD	AUTH.	DR.	CK.
2/19/04	-	ISSUED	JL	NT	JL



MATERIAL: TERMINAL- COPPER, .040" THICKNESS
INSULATION- VINYL (YELLOW)
WIRE RANGE: 12-10
STUD SIZE: 8
MAX. WIRE INSULATION DIA.: .250



TOLERANCES (EXCEPT AS NOTED)	CONCORD		ELECTRONICS CORPORATION
DECIMAL + -	P/N	SCALE	30 GREAT JONES ST. NEW YORK N. Y. 10012
FRACTIONAL + -	TITLE SNAP-SPADE TERMINAL		
ANGULAR + -	DATE 2/17/04	DRAWING NUMBER 701-2691	