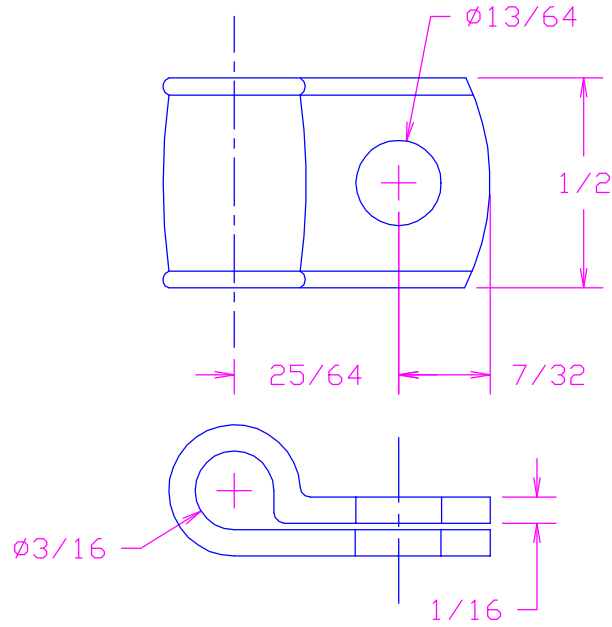
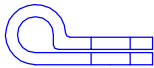
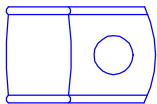


DATE	SYM	REVISION RECORD	AUTH.	DR.	CK.
11/2/00	-	ISSUED	JL	NT	JL



MATERIAL: PROPIONATE  
 COLOR- AMBER

ACTUAL SIZE



TOLERANCES (EXCEPT AS NOTED)	CONCORD		ELECTRONICS CORPORATION
DECIMAL + -	P/N	SCALE	30 GREAT JONES ST. NEW YORK N. Y. 10012
FRACTIONAL + - 1/64	TITLE CABLE CLAMP		
ANGULAR + -	DATE 11/2/00	DRAWING NUMBER 770-1102	