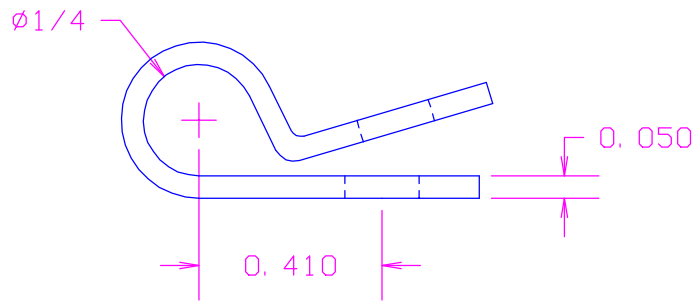
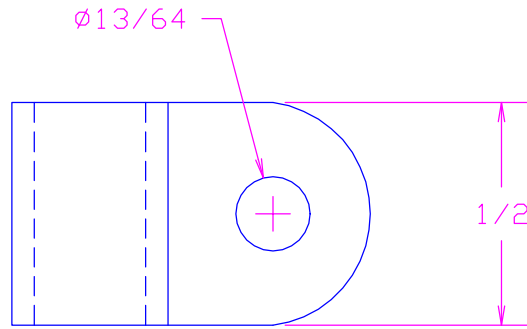


DATE	SYM	REVISION RECORD	AUTH.	DR.	CK.
5/10/00	-	ISSUED	JL	NT	JL
3/24/03	1	ADDED ALL COLORS	JL	NT	JL

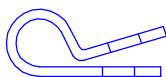


MATERIAL: NYLON

COLOR(XX): (10)- BLACK

(19)- WHITE

ACTUAL SIZE



TOLERANCES	CONCORD ELECTRONICS CORPORATION		
DECIMAL + -	P/N	SCALE	30 GREAT JONES ST. NEW YORK N. Y. 10012
FRACTIONAL + .015 -	TITLE CABLE CLAMP		
+ -	DATE 5/10/00	DRAWING NUMBER 770-1203-XX	