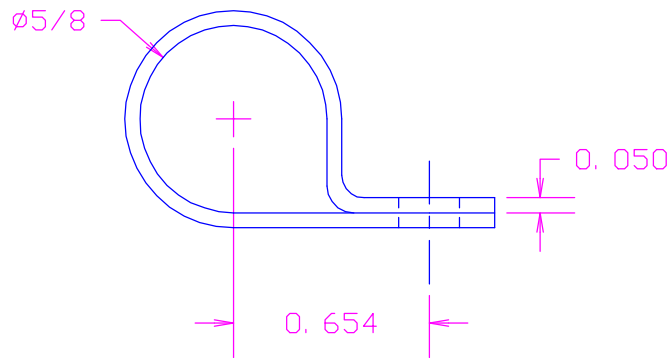
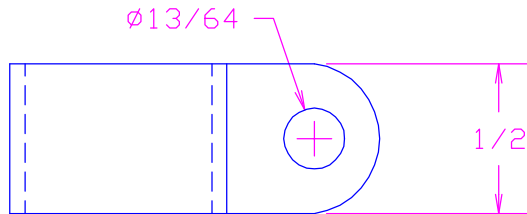
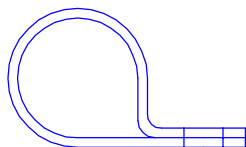
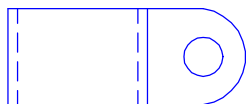


DATE	SYM	REVISION RECORD	AUTH.	DR.	CK.
3/14/00	-	ISSUED	JL	NT	JL
3/24/03	1	ADDED CENTER TO CENTER DIMENSION.	JL	NT	JL



MATERIAL: NYLON 6/6
 COLOR(XX)- (10) BLACK
 (19) WHITE

ACTUAL SIZE



TOLERANCES	CONCORD ELECTRONICS CORPORATION		
DECIMAL $\pm .010$	P/N	SCALE	30 GREAT JONES ST. NEW YORK N. Y. 10012
FRACTIONAL $\pm .015$	TITLE CABLE CLAMP		
\pm $-$	DATE 3/14/00	DRAWING NUMBER 770-1209-XX	