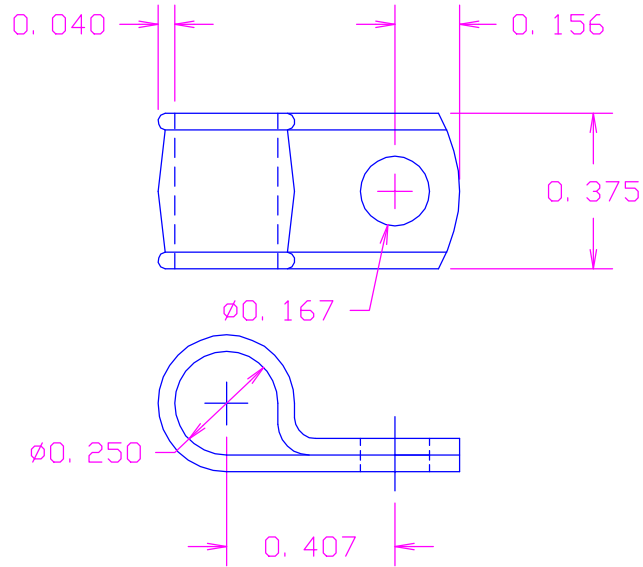
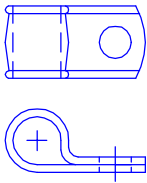


| DATE | SYM | REVISION RECORD | AUTH. | DR. | CK. |
|---------|-----|-----------------|-------|-----|-----|
| 2/18/97 | - | ISSUED | | NT | MM |
| | | | | | |
| | | | | | |
| | | | | | |



MATERIAL: NYLON 6/6
 COLOR- BLACK

ACTUAL SIZE



| | | | |
|---------------------------------|---------------------------------|----------------------------|--|
| TOLERANCES (EXCEPT AS NOTED) | CONCORD ELECTRONICS CORPORATION | | |
| DECIMAL + - .020 | P/N | SCALE | 30 GREAT JONES ST. NEW YORK N. Y. 10012 |
| FRACTIONAL + - | TITLE CABLE CLAMP | | |
| ANGULAR + - | DATE 2-18-97 | DRAWING NUMBER 770-1603 | |