

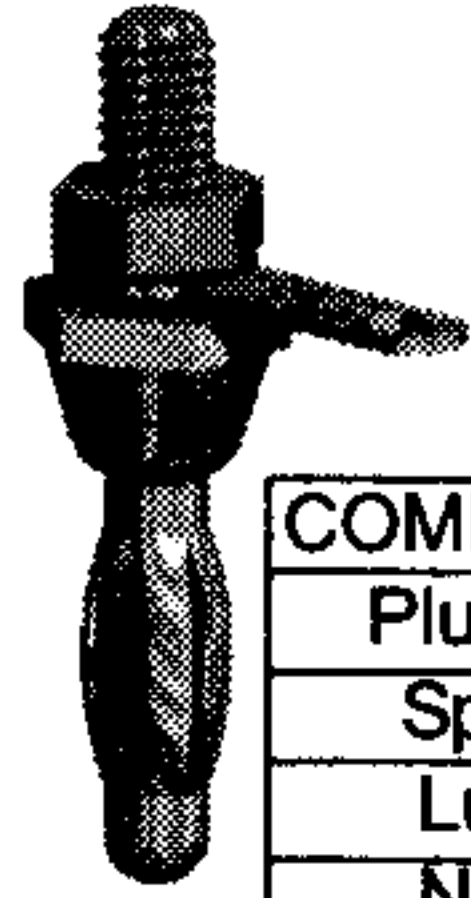
BANANA PLUG

01-2310-THRU

01-2315-1-02

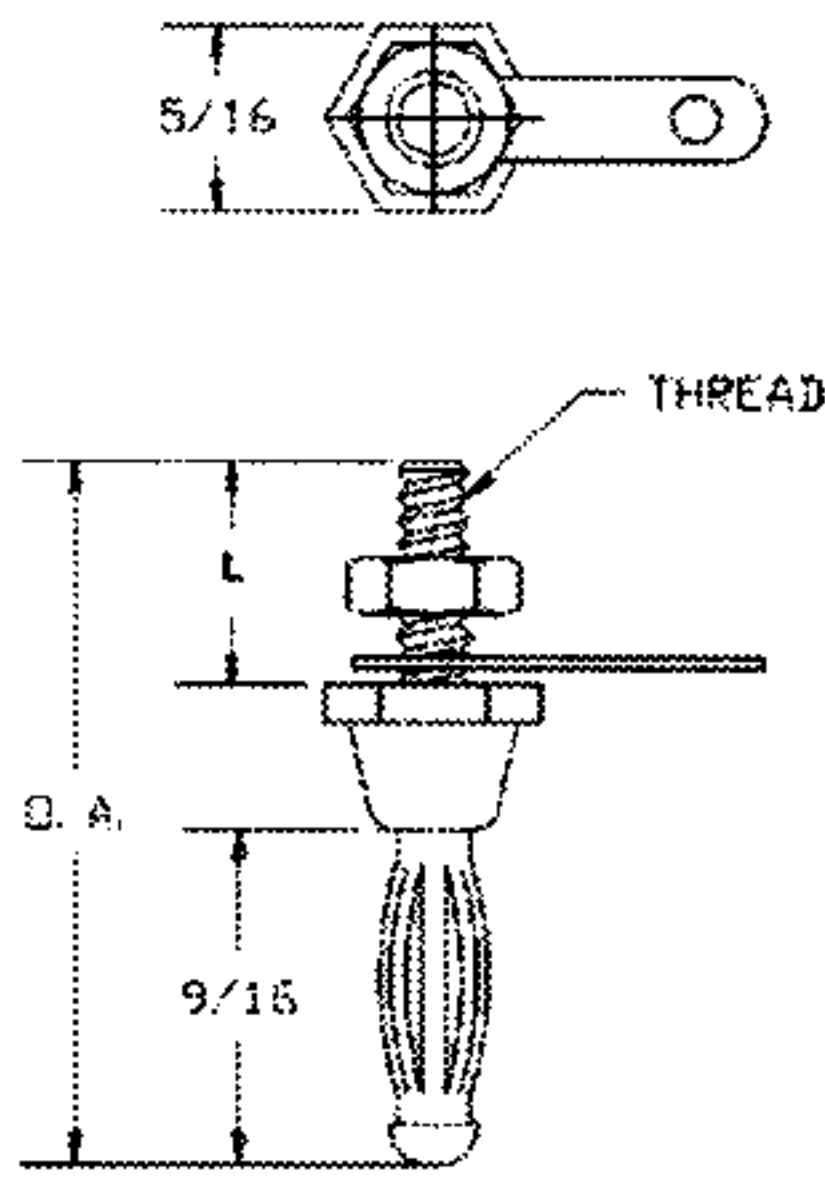
FINISH

Standard size spring for standard size banana jack. Supplied with nut and solder lug.



Part No.	L	O.A.
01-2310-1	6-32x3/8"	1-3/16
01-2311-1	6-32x1/2"	1-5/16
01-2312-1	6-32x3/4"	1-9/16
01-2313-1	8-32x3/8"	1-3/16
01-2314-1	8-32x1/2"	1-5/16
01-2315-1	8-32x3/4"	1-9/16

COMPONENT	MATERIAL	(02) FINISH
Plug Body	Brass	Nickel
Spring	Beryllium Copper	Nickel
Lug	Brass	Tin
Nut	Brass	Nickel

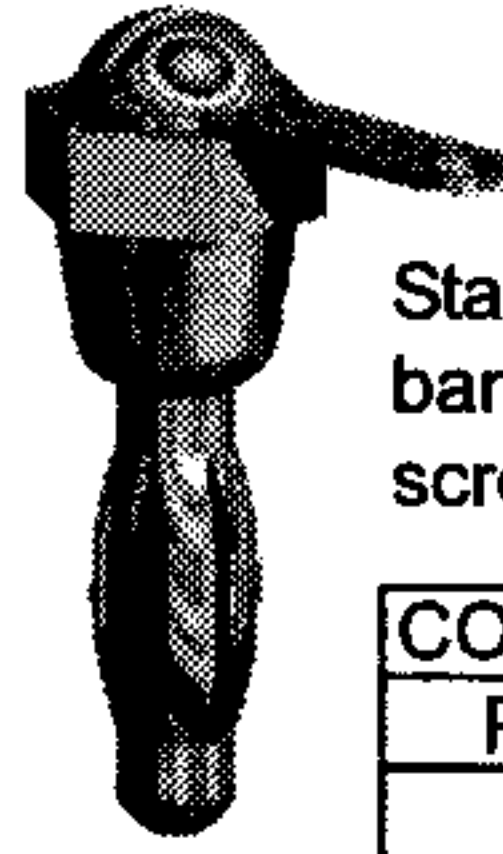


01-2341-1-02

BANANA PLUG

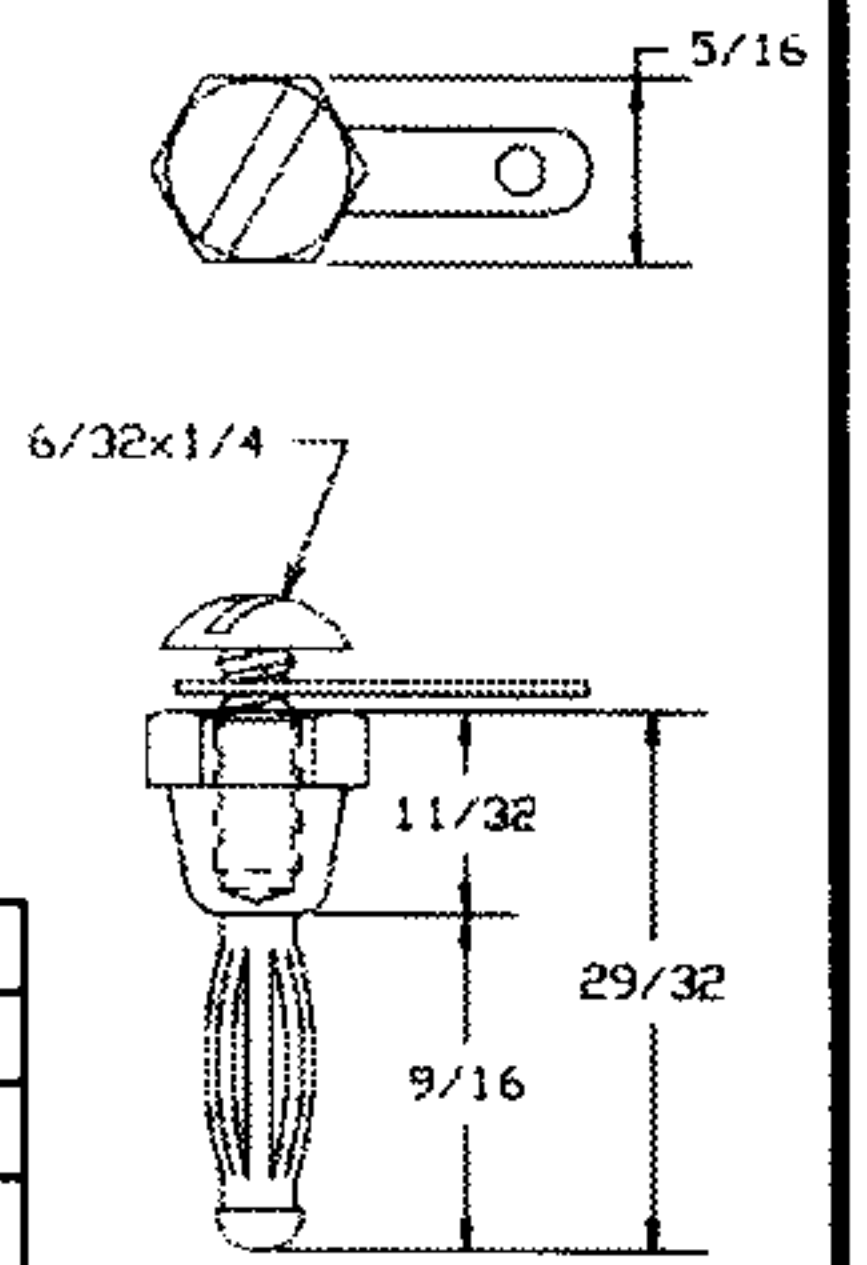
FINISH

RATED FOR 15 AMPERES
CONTINUOUS DUTY



Standard size spring for standard size banana jacks. Supplied with solder lug and screw for panel mounting.

COMPONENT	MATERIAL	(02) FINISH
Plug Body	Brass	Nickel
Spring	Beryllium Copper	Nickel
Lug	Brass	Tin



01-2347-1-02

BANANA PLUG

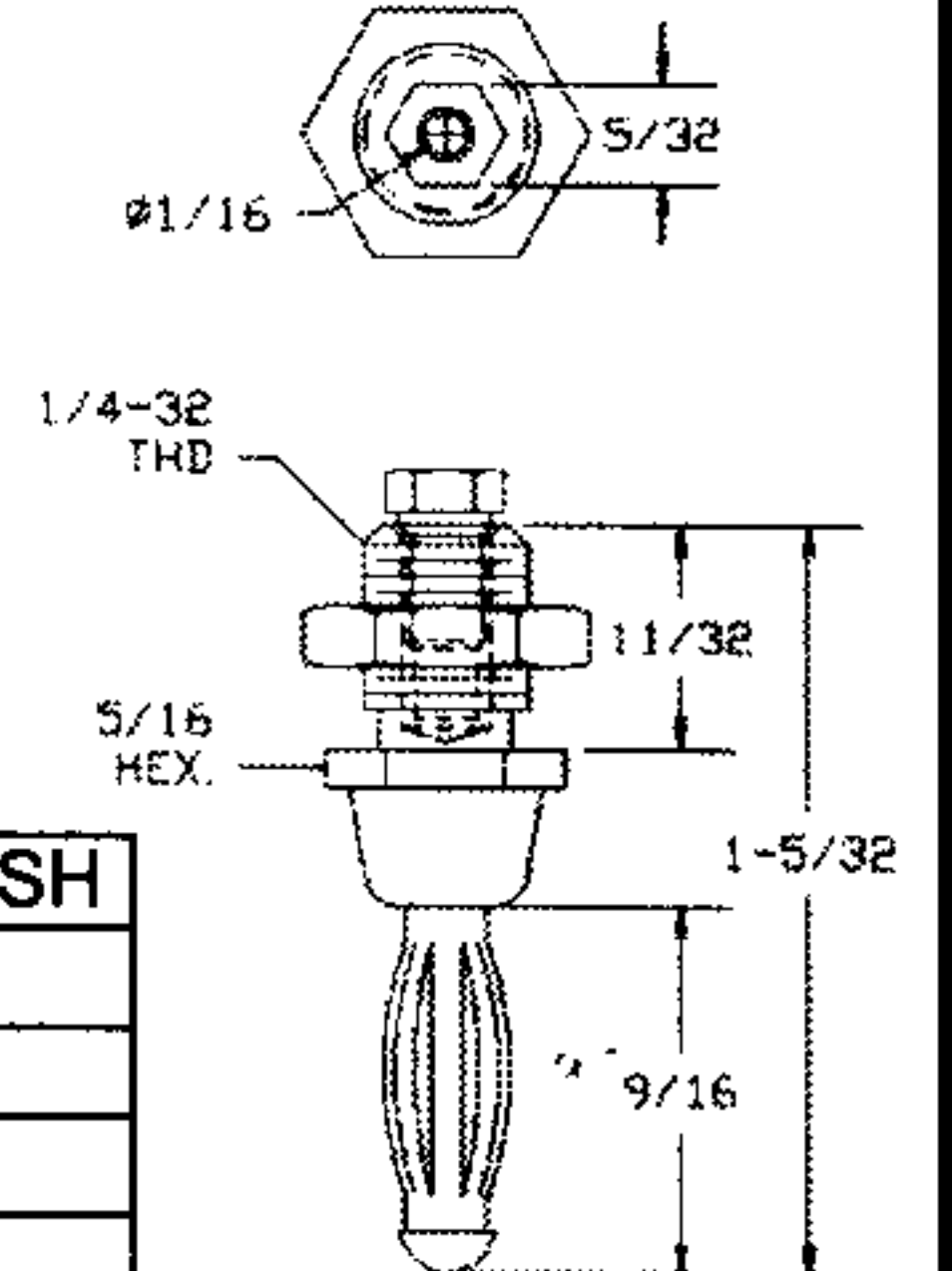
FINISH

RATED FOR 15 AMPERES
CONTINUOUS DUTY



Standard size spring for standard size banana jacks. Supplied with solder lug and nut.

COMPONENT	MATERIAL	(02) FINISH
Plug Body	Brass	Nickel
Spring	Beryllium Copper	Nickel
Lug	Brass	Tin
Nut	Brass	Nickel



01-2316-THRU

01-2319-1-02

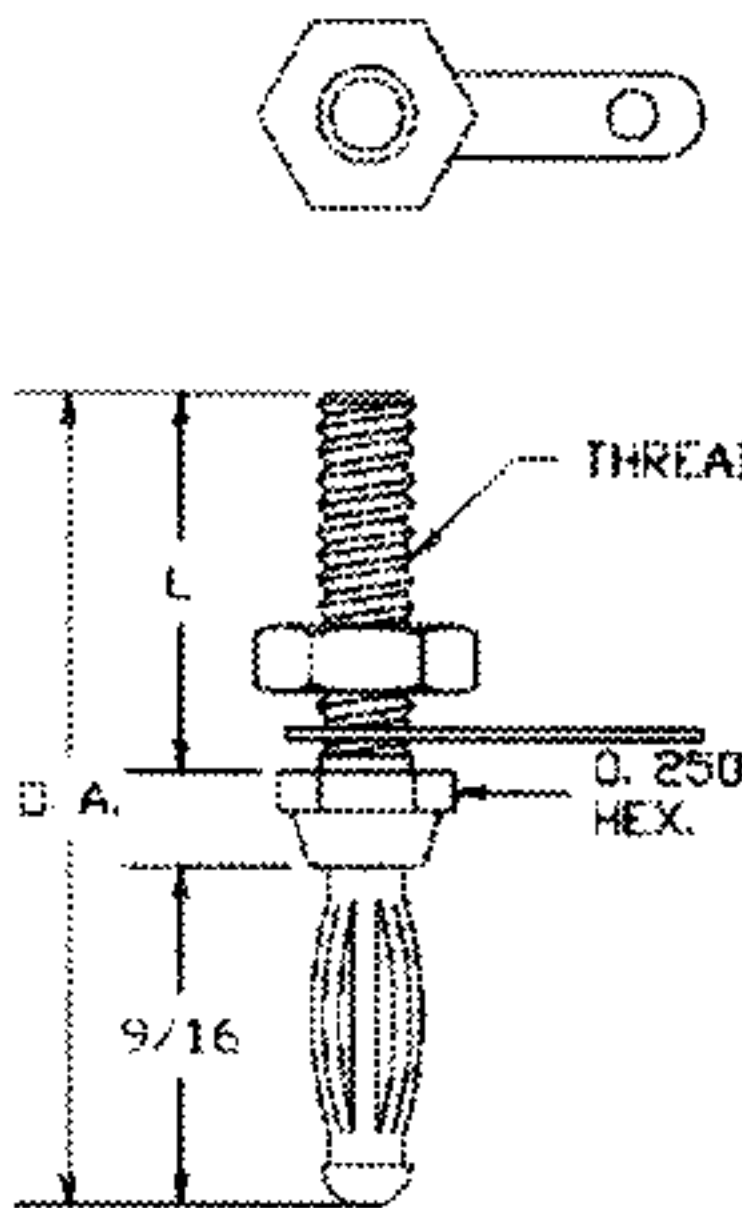
FINISH

Standard size spring for standard size banana jacks. Supplied with nut and solder lug.



Part No.	THD	L	O.A.
01-2316-1	6-32	.500	1.220
01-2317-1	8-32	.500	1.220
01-2318-1	6-32	.630	1.350
01-2319-1	8-32	.630	1.350

COMPONENT	MATERIAL	(02) FINISH
Plug Body	Brass	Nickel
Spring	Beryllium Copper	Nickel
Lug	Brass	Tin
Nut	Brass	Nickel



01-2370-THRU

BANANA PLUG

01-2373-1-02

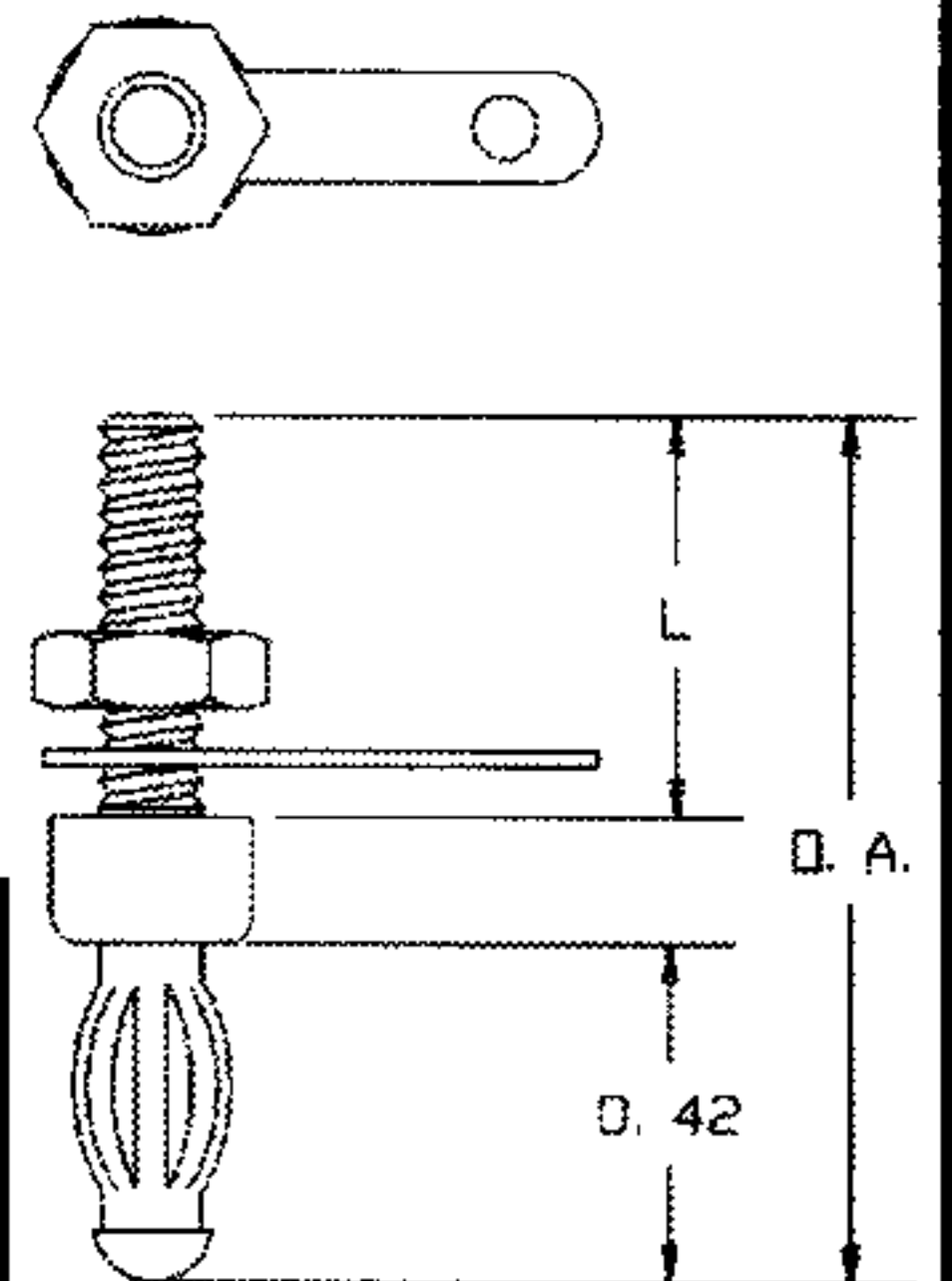
RATED FOR 15 AMPERES
CONTINUOUS DUTY

FINISH

Short size spring for standard size banana jacks. Supplied with solder lug and nut.

Part No.	L	O.A.
01-2370-1	4-40x3/8"	15/16
01-2371-1	4-40x1/2"	1-1/16
01-2372-1	6-32x3/8"	15/16
01-2373-1	6-32x1/2"	1-1/16

COMPONENT	MATERIAL	(02) FINISH
Plug Body	Brass	Nickel
Spring	Beryllium Copper	Nickel
Lug	Brass	Tin
Nut	Brass	Nickel



01-2360-THRU

01-2365-1-02

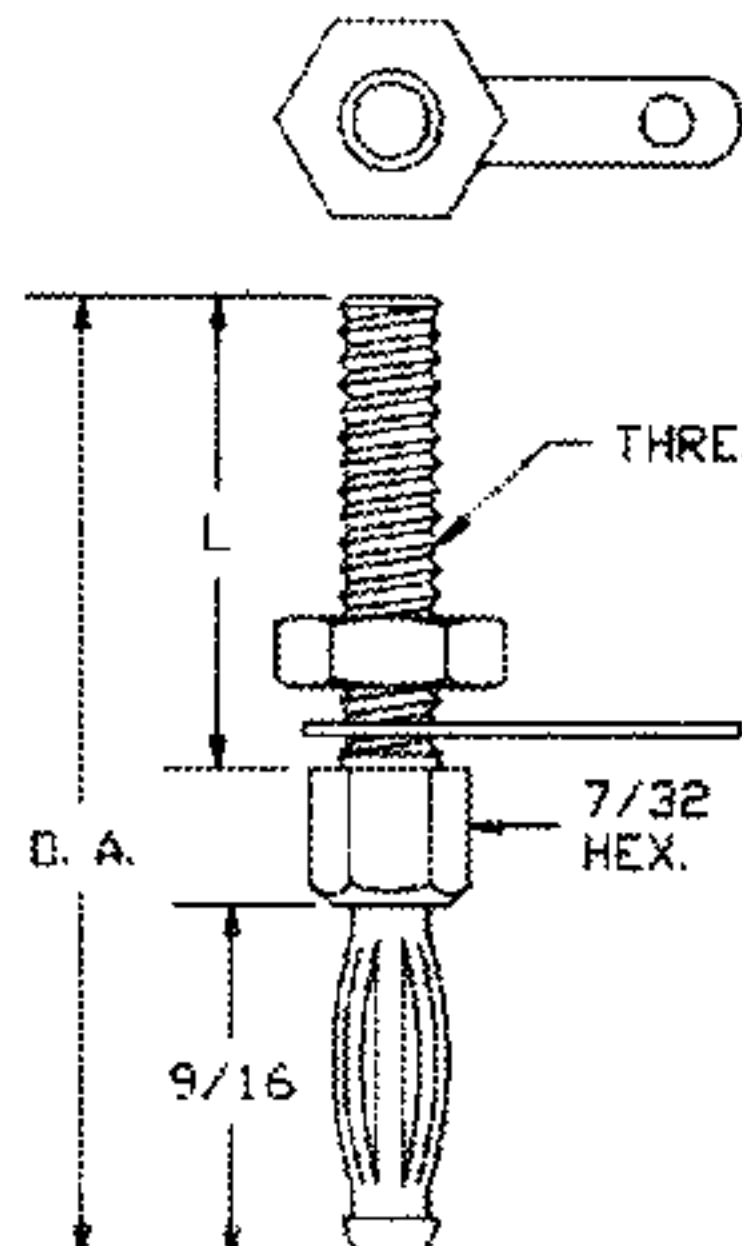
FINISH

Standard size spring for standard size banana jacks. Supplied with nut and solder lug.



Part No.	L	O.A.
01-2360-1	6-32x3/8"	1-5/32
01-2361-1	6-32x1/2"	1-9/32
01-2362-1	6-32x3/4"	1-17/32
01-2363-1	8-32x3/8"	1-5/32
01-2364-1	8-32x1/2"	1-9/32
01-2365-1	8-32x3/4"	1-17/32

COMPONENT	MATERIAL	(02) FINISH
Plug Body	Brass	Nickel
Spring	Beryllium Copper	Nickel
Lug	Brass	Tin
Nut	Brass	Nickel



01-2255-X-044

BANANA PLUG

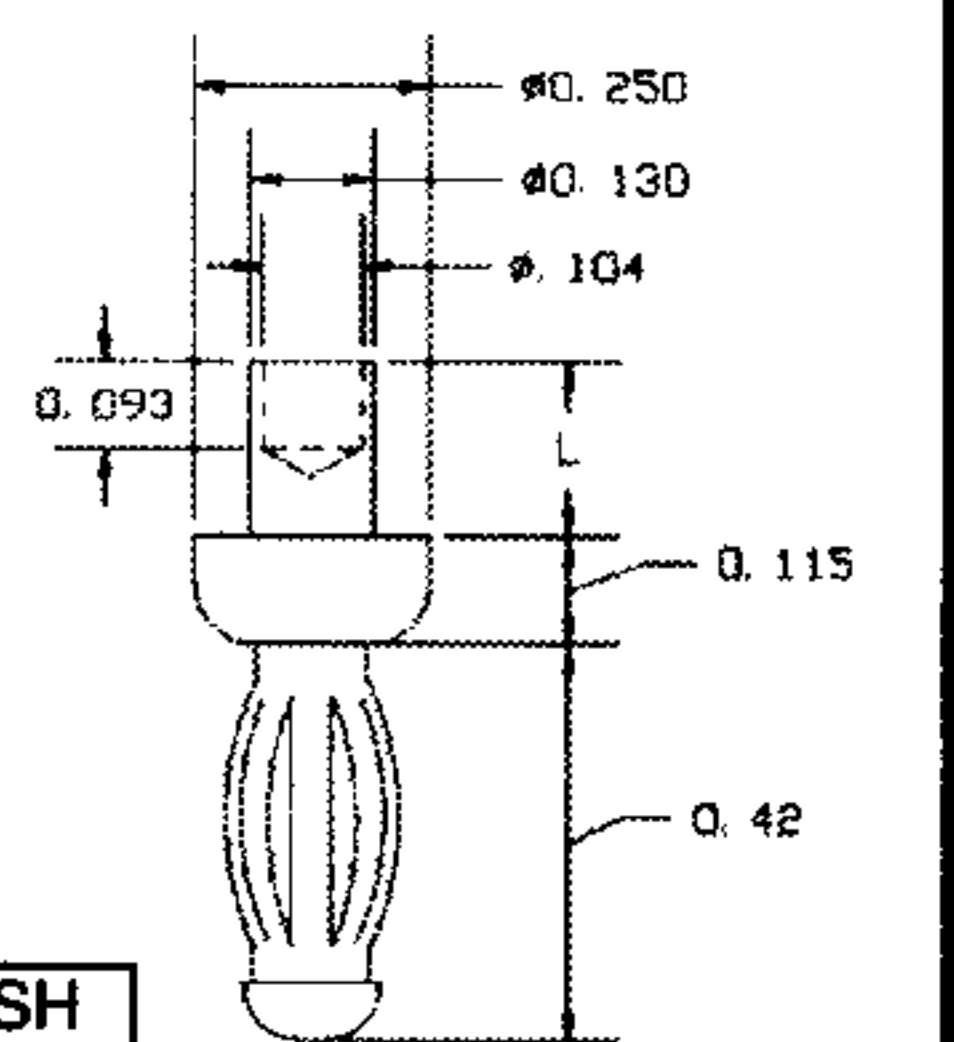
FINISH

RATED FOR 15 AMPERES
CONTINUOUS DUTY

Short size spring for standard size banana jacks. Plug body is heat treated to facilitate swaging.

Part No.	L	O.A.
01-2255-3	1/8"	3/32
01-2255-5	3/16"	5/32
01-2255-6	7/32"	3/16

COMPONENT	MATERIAL	(044) FINISH
Plug Body	Brass	Bright-Tin
Spring	Beryllium Copper	Bright-Tin



25-2333-1-03

25-2334-1-03

FINISH

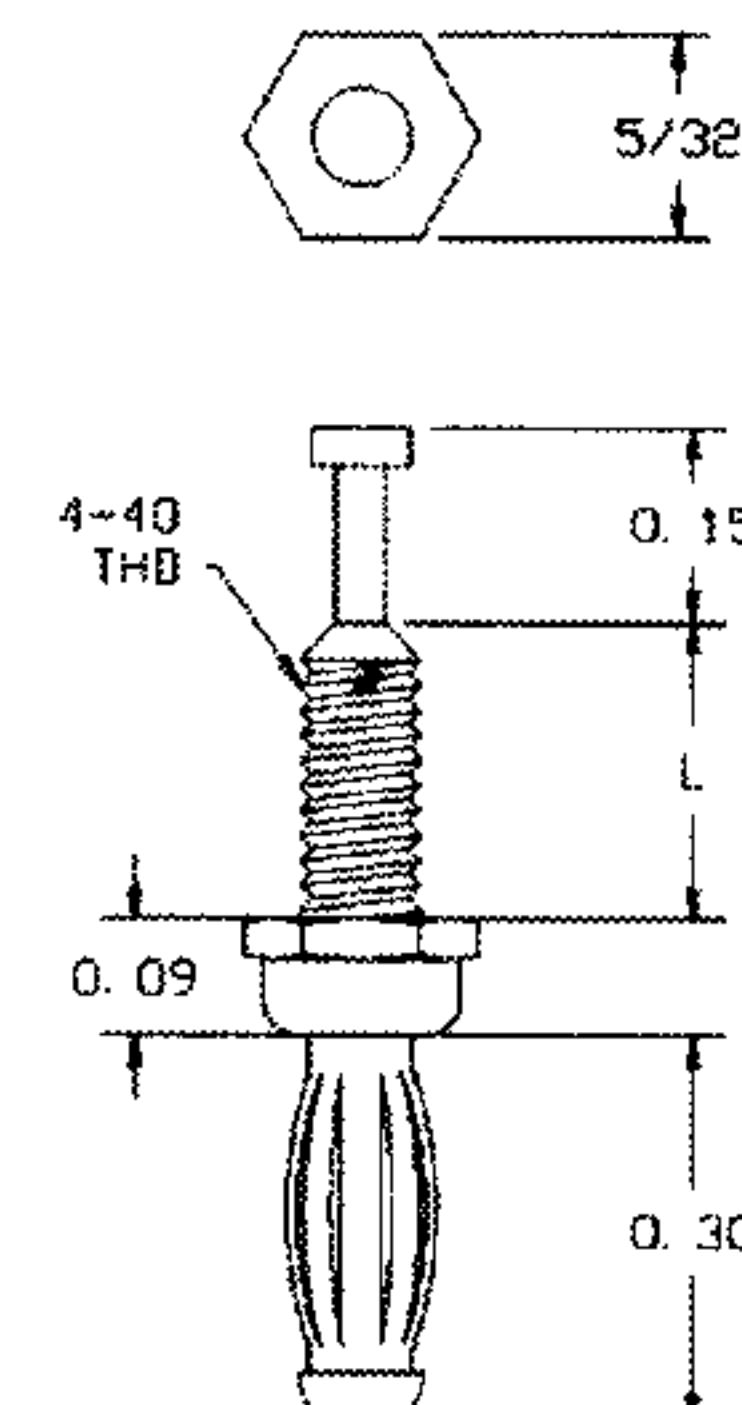
RATED FOR 5 AMPERES
CONTINUOUS DUTY

Miniature size spring for miniature size banana jacks. Supplied with nut.



Part No.	L
25-2333-1	.230"
25-2334-1	.480"

COMPONENT	MATERIAL	(03) FINISH
Plug Body	Brass	Gold
Spring	Beryllium Copper	Gold
Nut	Brass	Nickel



01-2332-1-044

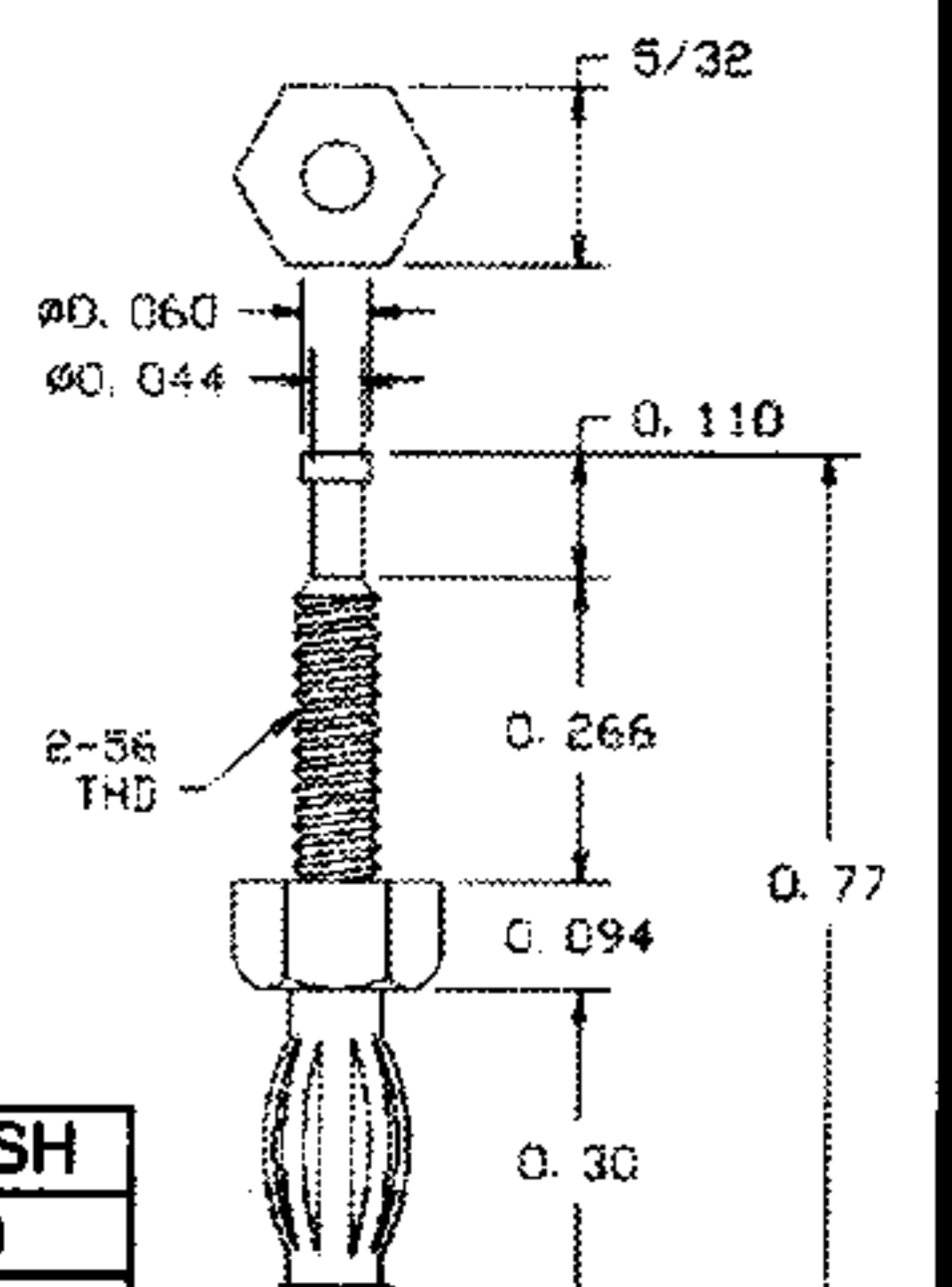
BANANA PLUG

FINISH

RATED FOR 5 AMPERES
CONTINUOUS DUTY

Miniature size spring for miniature size banana jacks.

COMPONENT	MATERIAL	(044) FINISH
Plug Body	Brass	Bright-Tin
Spring	Beryllium Copper	Bright-Tin



FOR ADDITIONAL SIZES AND MATERIALS, CONTACT FACTORY