

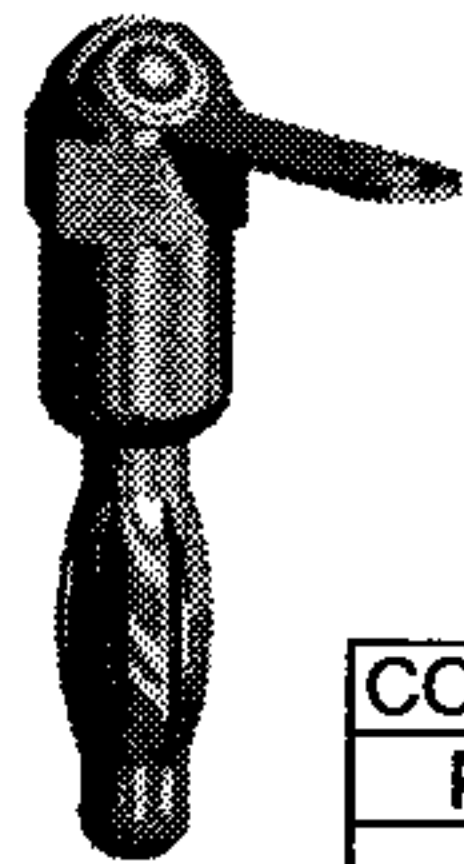
BANANA PLUGS - JACKS

25-2531-1-02 25-2532-1-02

BANANA PLUG 15 AMPERES CAPACITY

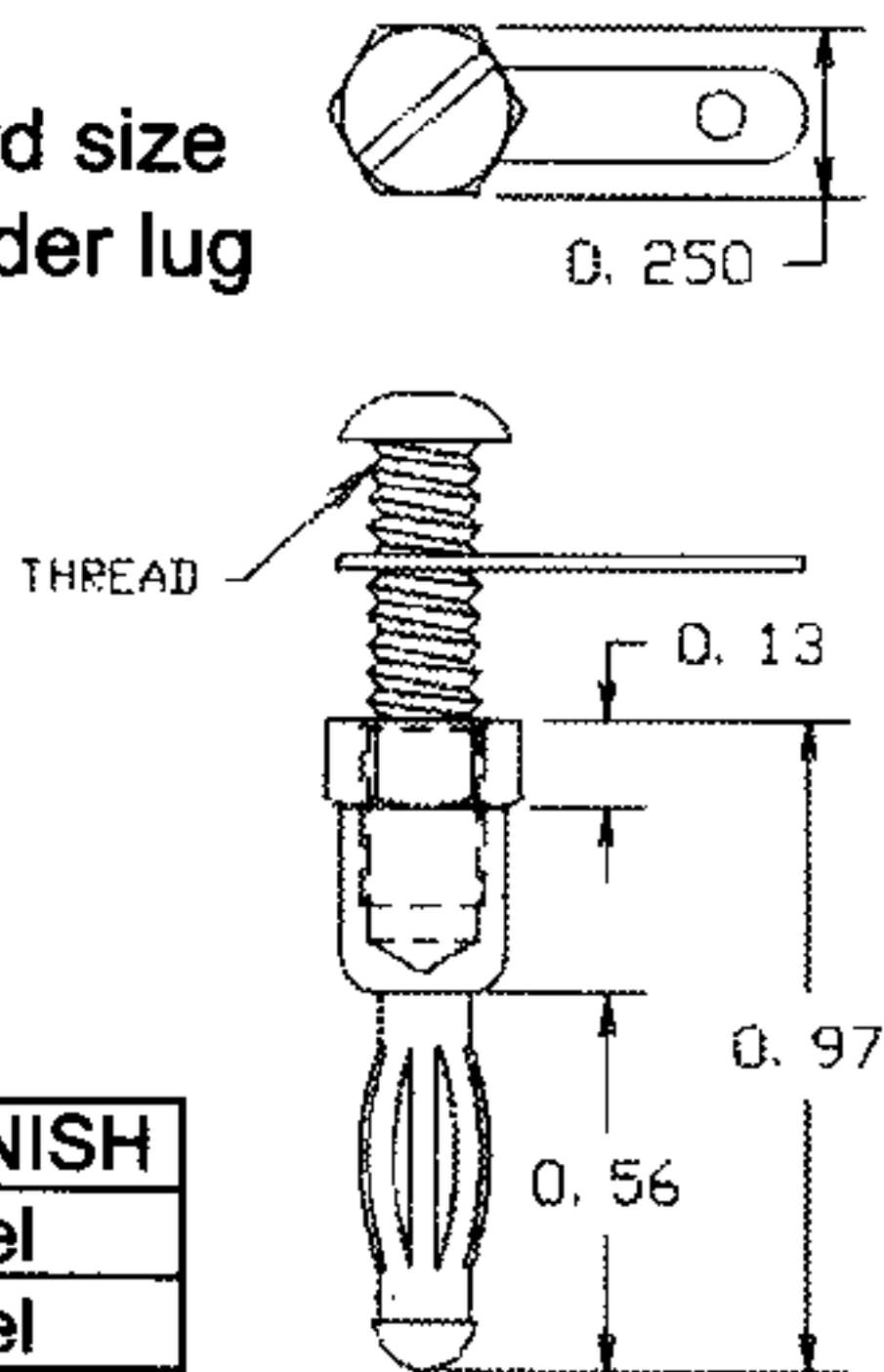
FINISH

Standard size spring for standard size banana jacks. Supplied with solder lug and screw for panel mounting.



Part No.	Screw
25-2531-1	6-32 x .250
25-2532-1	8-32 x .250

COMPONENT	MATERIAL	(02) FINISH
Plug Body	Brass	Nickel
Spring	Beryllium Copper	Nickel
Lug	Brass	Tin

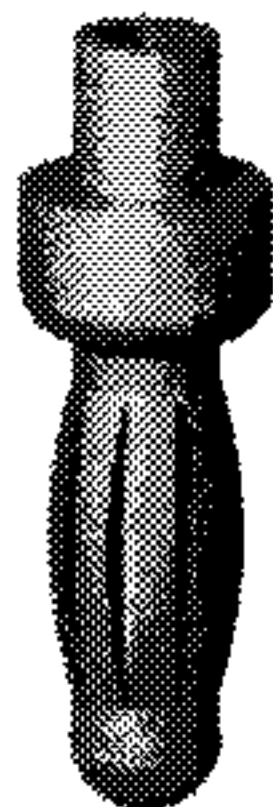


25-2259-X-03 FINISH

BANANA PLUG

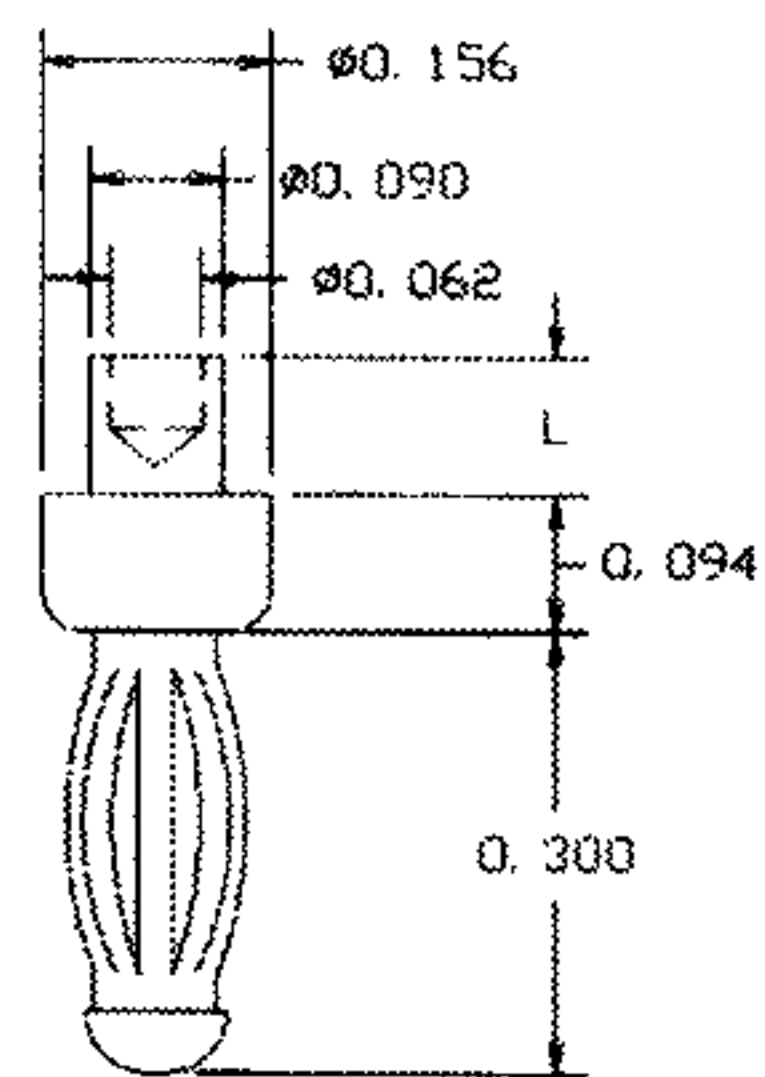
RATED FOR 5 AMPERES
CONTINUOUS DUTY

Miniature size spring to mate with miniature size (.104 dia.) banana jack. Spring, one piece heat treated beryllium copper. Plug body is heat treated to facilitate swaging.



Part No.	L	Panel
25-2259-2	.094	1/16
25-2259-3	.125	3/32
25-2259-4	.156	1/8

COMPONENT	MATERIAL	(03) FINISH
Plug Body	Brass	Gold
Spring	Beryllium Copper	Gold



01-2260-X-02 FINISH

BANANA PLUG

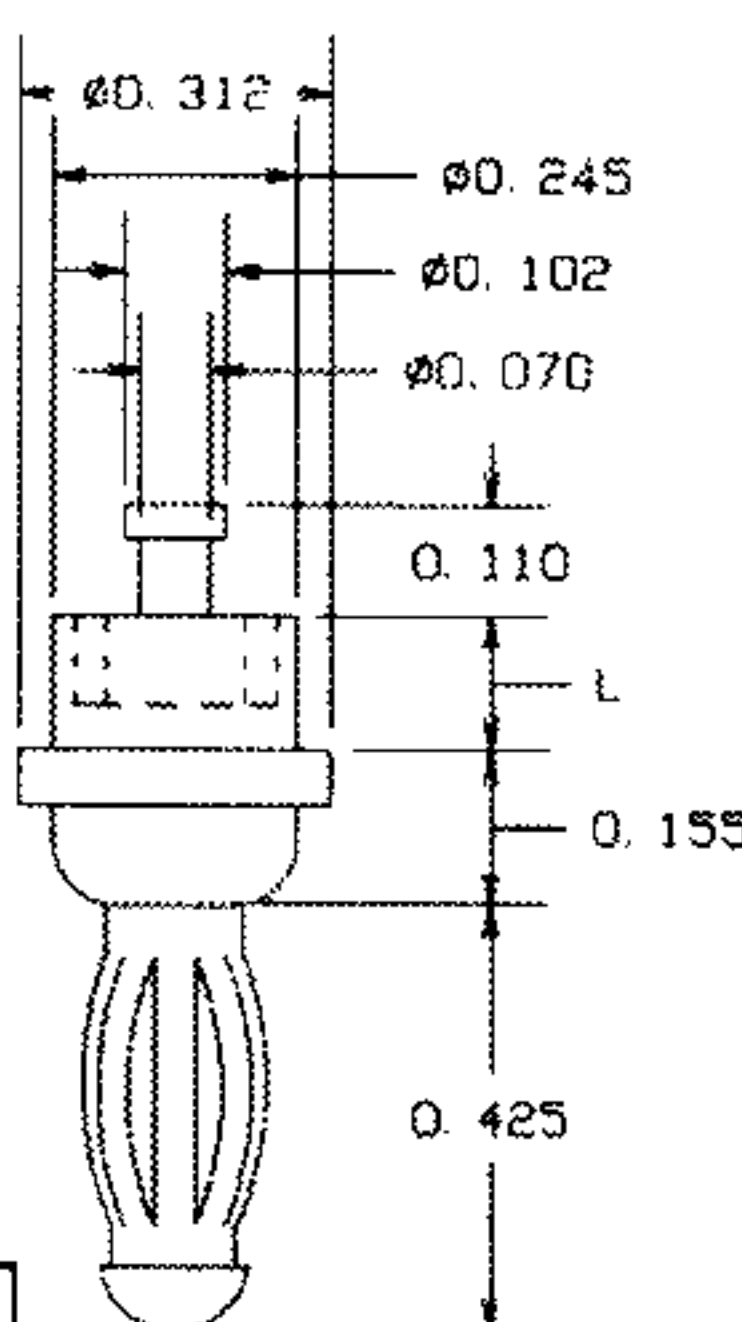
RATED FOR 15 AMPERES
CONTINUOUS DUTY

Short size spring for standard size banana jacks. Plug body is heat treated to facilitate swaging.



Part No.	L	Panel
01-2260-2	.105	1/16
01-2260-3	.135	3/32
01-2260-4	.156	1/8

COMPONENT	MATERIAL	(02) FINISH
Plug Body	Brass	Nickel
Spring	Beryllium Copper	Nickel



25-2262-X-02 FINISH

BANANA PLUG

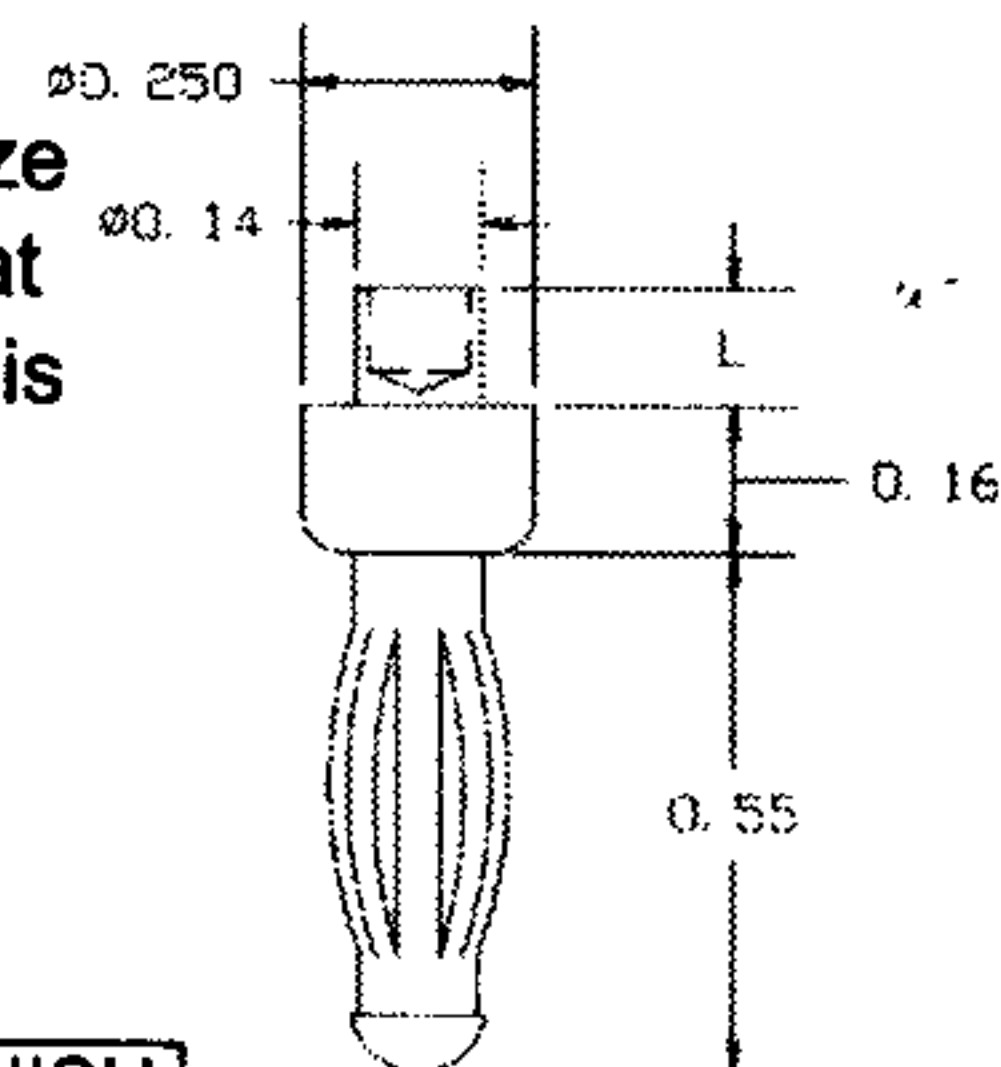
RATED FOR 15 AMPERES
CONTINUOUS DUTY

Standard size spring for standard size banana jacks. Spring, one piece heat treated beryllium copper. Plug body is heat treated to facilitate swaging.



Part No.	L	Panel
25-2262-2	.094	1/16
25-2262-3	.125	3/32
25-2262-4	.156	1/8

COMPONENT	MATERIAL	(02) FINISH
Plug Body	Brass	Nickel
Spring	Beryllium Copper	Nickel

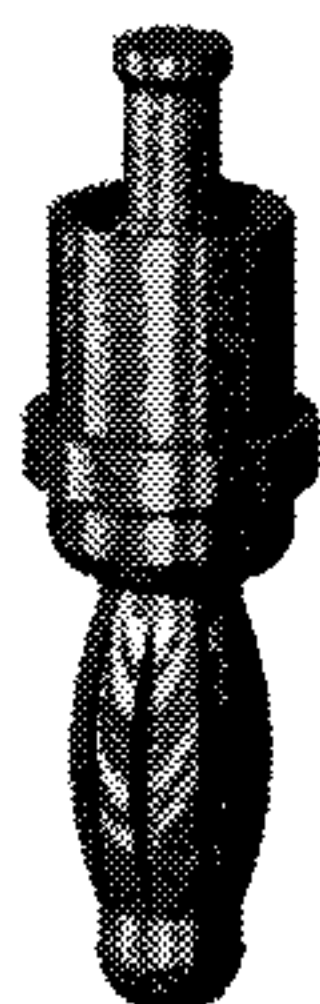


01-2251-X-044 FINISH

BANANA PLUG

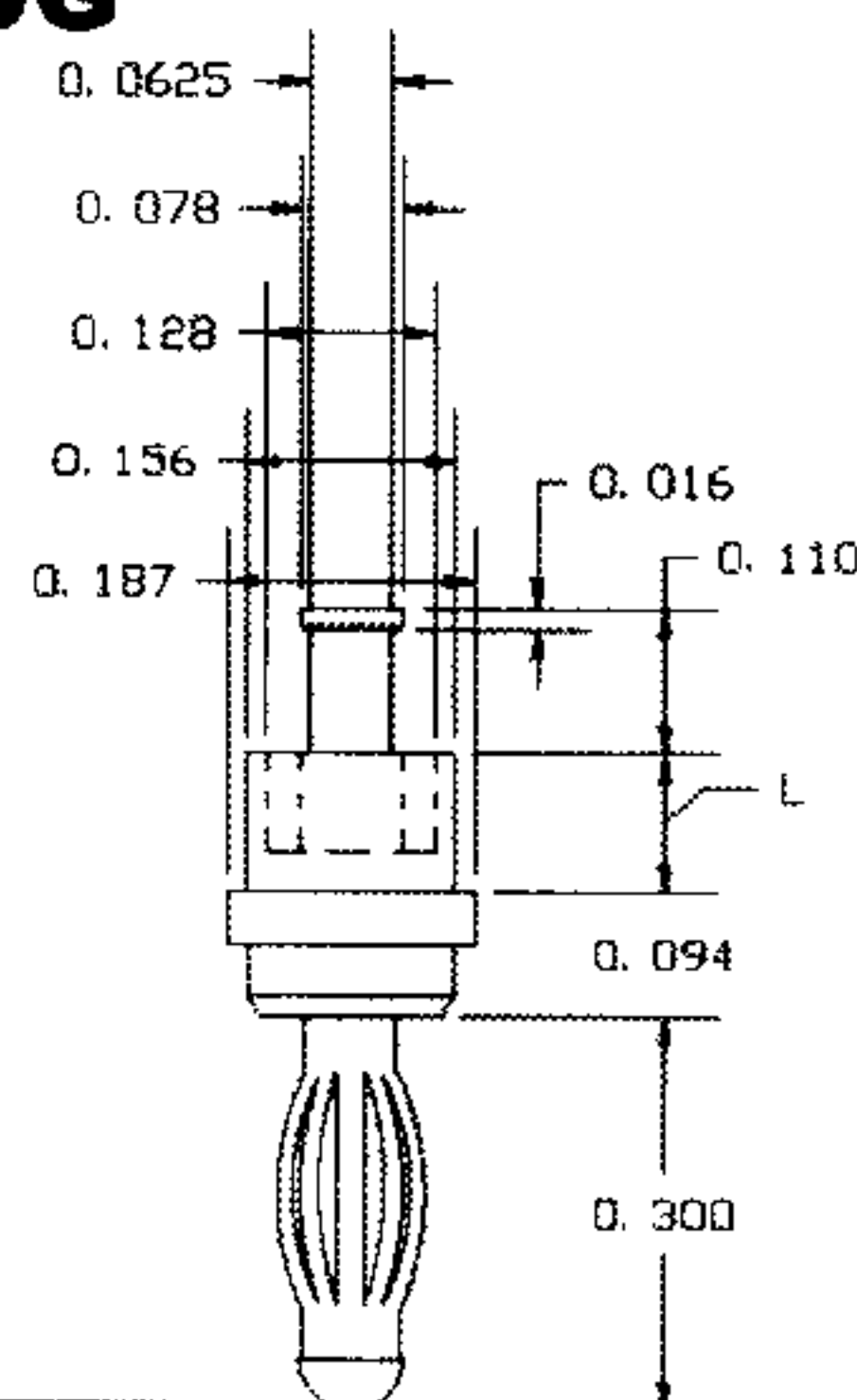
RATED FOR 5 AMPERES
CONTINUOUS DUTY

Miniature size spring to mate with miniature size (.104 dia.) banana jack. Plug body is heat treated to facilitate swaging.



Part No.	L	Panel
01-2251-2A	.093	1/16
01-2251-2	.105	1/16
01-2251-3	.135	3/32
01-2251-4	.156	1/8

COMPONENT	MATERIAL	(044) FINISH
Plug Body	Brass	Bright-Tin
Spring	Beryllium Copper	Bright-Tin



01-2258-X-044 FINISH

BANANA PLUG

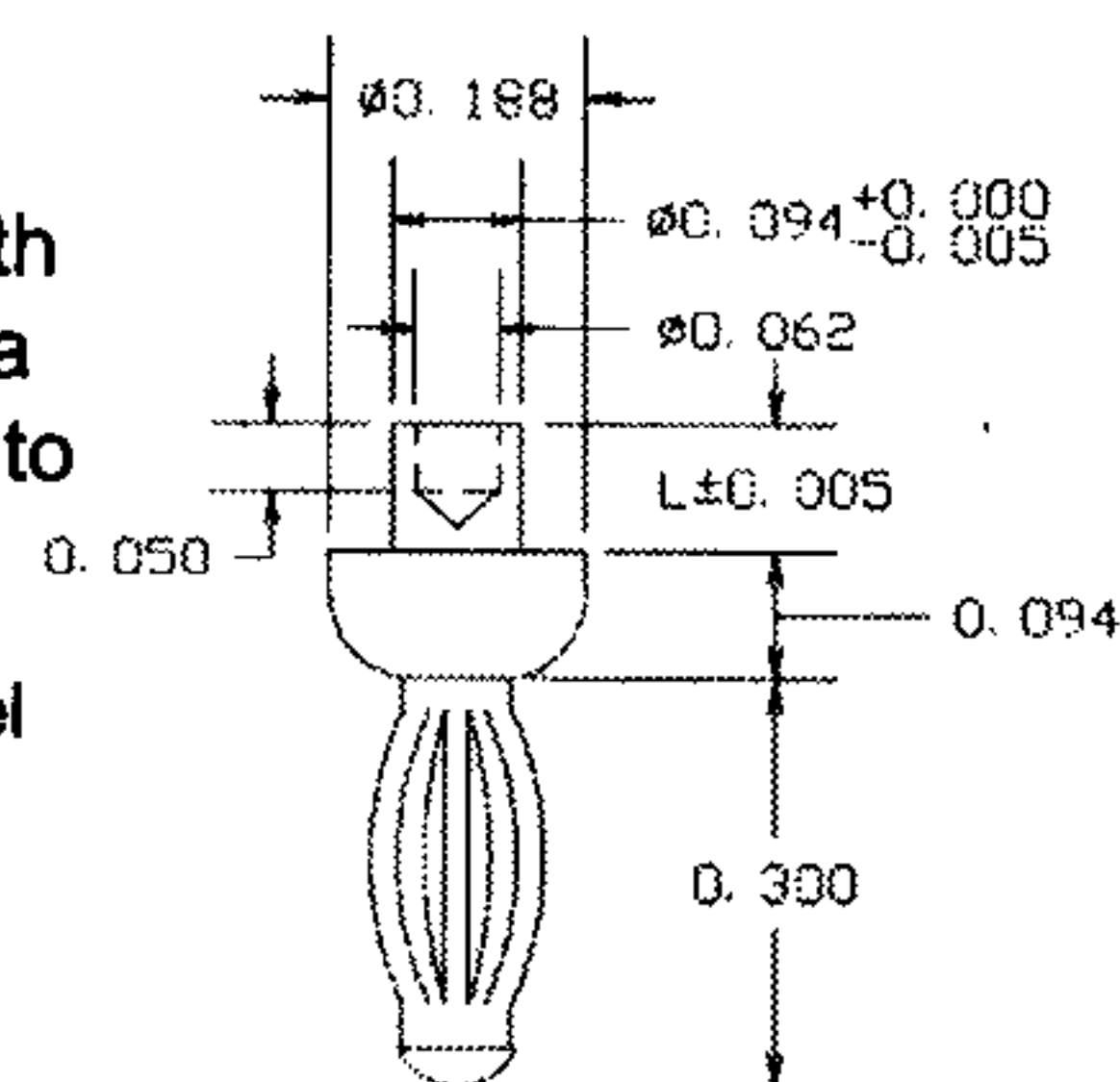
RATED FOR 5 AMPERES
CONTINUOUS DUTY

Miniature size spring to mate with miniature size (.104 dia.) banana jacks. Plug body is heat treated to facilitate swaging.



Part No.	L	Panel
01-2258-2	.094	1/16
01-2258-3	.125	3/32
01-2258-4	.156	1/8

COMPONENT	MATERIAL	(044) FINISH
Plug Body	Brass	Bright-Tin
Spring	Beryllium Copper	Bright-Tin

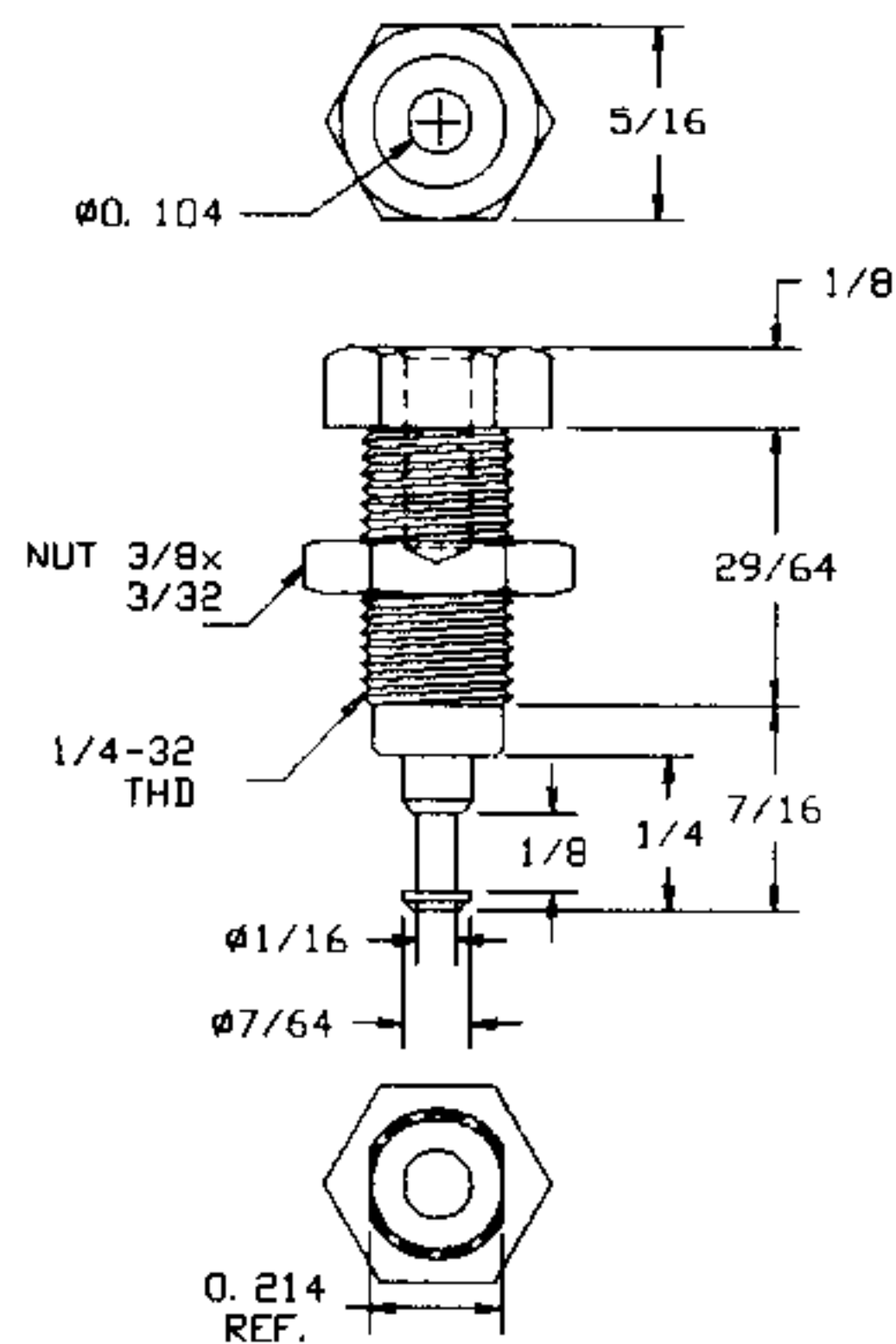


09-9141-1-044XX FINISH COLOR

BANANA PANEL JACK INSULATED

RATED FOR 10 AMPERES
CURRENT

Part is completely insulated from chassis. Accommodates panels from 1/16" to 1/4" thick. Design of part accepts miniature banana plug. One piece turret contact allows sealed panel entry hole.

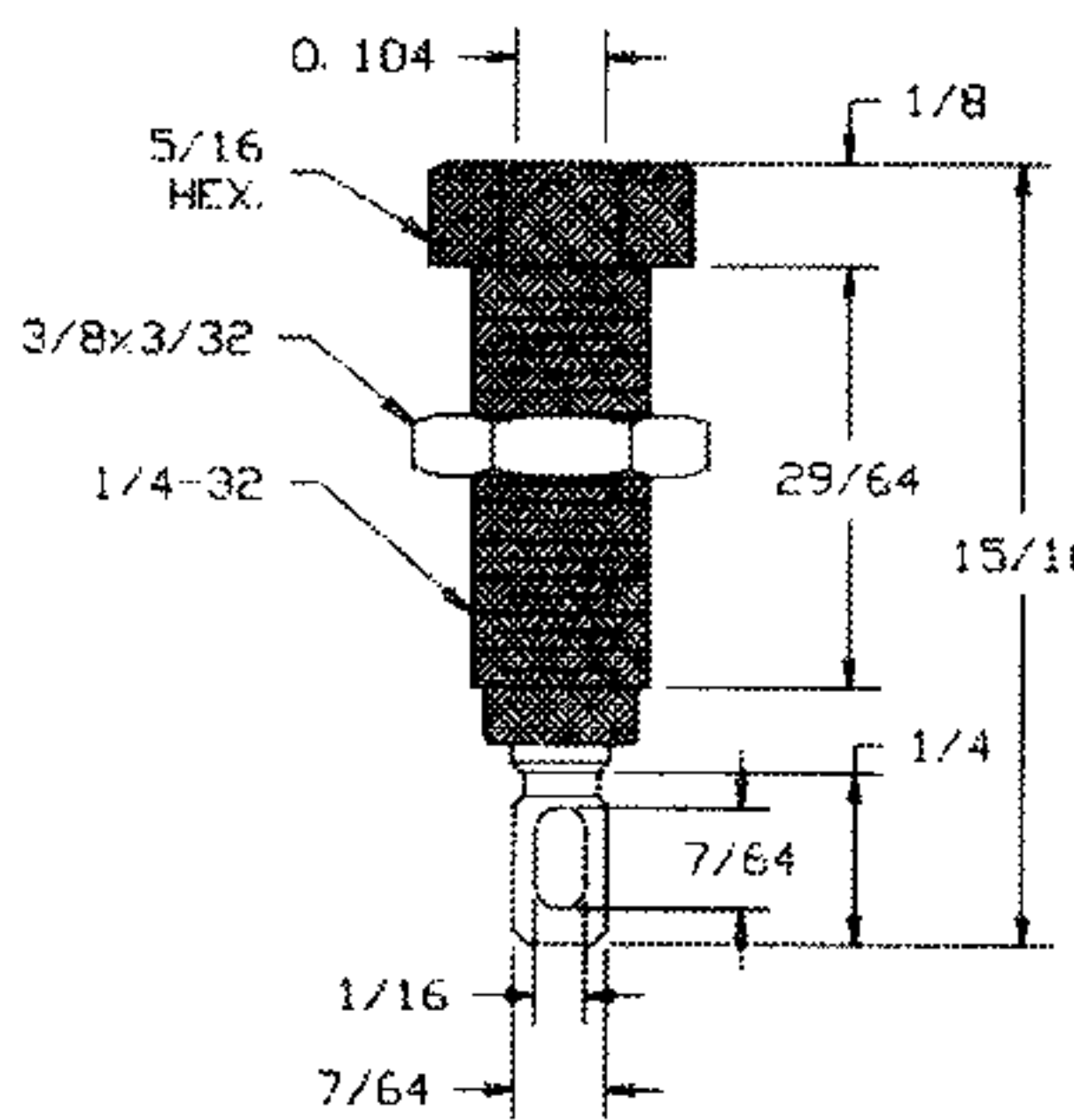


09-9140-1-044XX FINISH COLOR

BANANA PANEL JACK INSULATED

RATED FOR 10 AMPERES
CURRENT

Part is completely insulated from chassis. Accommodates panels from 1/16" to 1/4" thick. Design of part accepts miniature banana plugs. One piece turret contact allows sealed panel entry hole.



FOR ADDITIONAL SIZES AND MATERIALS, CONTACT FACTORY

BLK	BRN	RED	ORN	YEL	GRN	BLU	PUR	GRY	WHT
10	11	12	13	14	15	16	17	18	19

800-847-4162 (Outside N.Y.S.)
Ph: 212-777-6571 Fax: 212-991-0161
sales@concord-electronics.com
engineering@concord-electronics.com

CONCORD