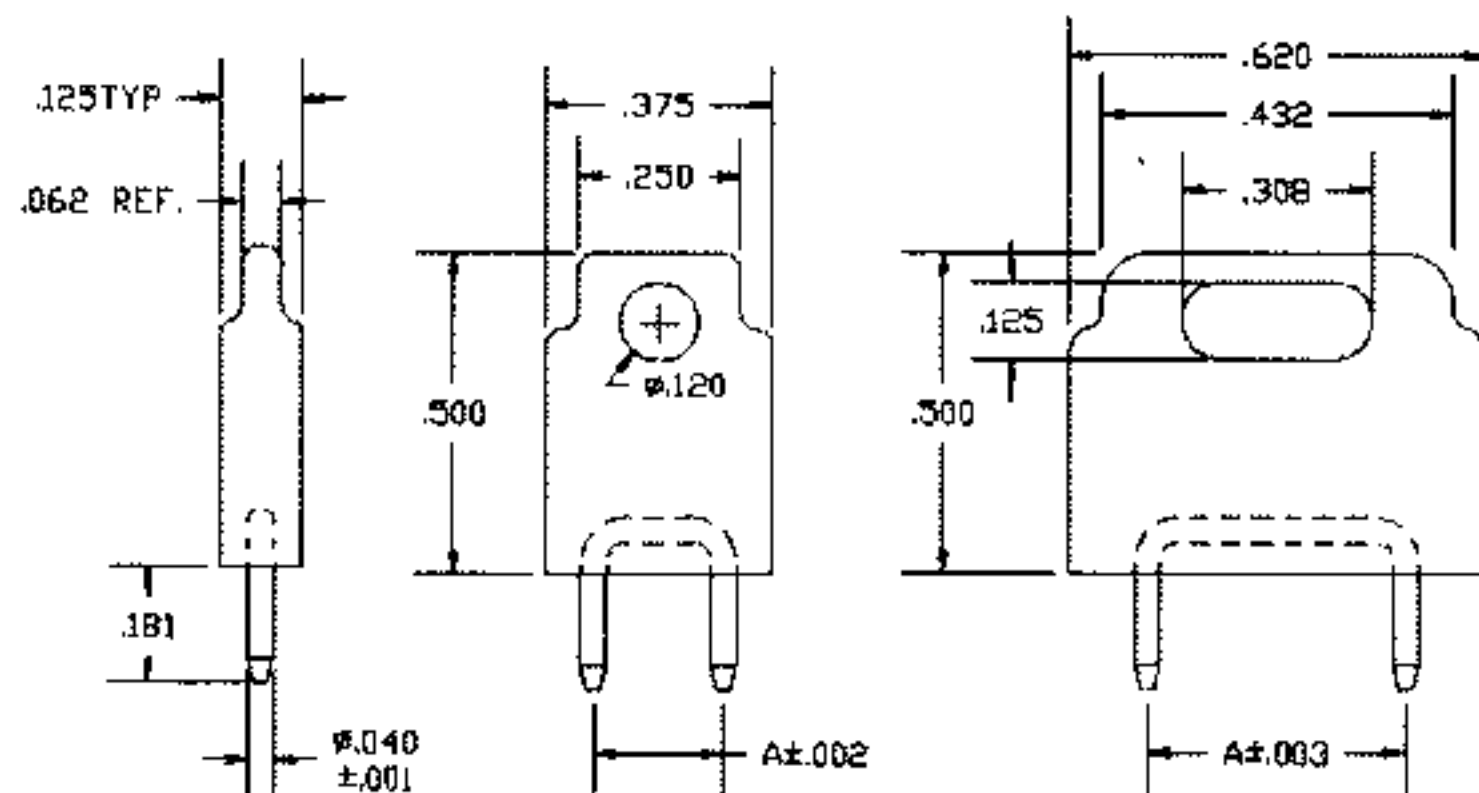


# SHORTING PLUGS & JACKS - PHONE TIP

## 09-3010-X-03XX INSULATED SHORTING PLUGS WITH .040 DIA. PIN

BASIC PART NO FINISH COLOR

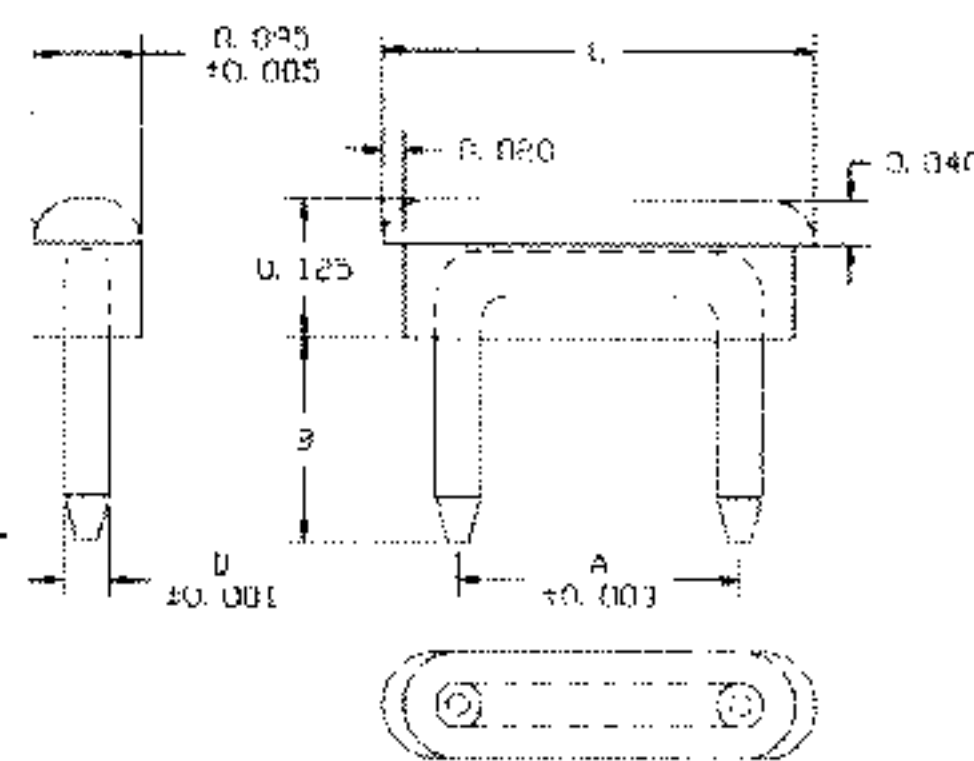


| PART NUMBER    | "A"  | 09-3010 | 09-3011 |
|----------------|------|---------|---------|
| 09-3010-1-03XX | .200 |         |         |
| 09-3010-2-03XX | .250 |         |         |
| 09-3011-1-03XX | .400 |         |         |
| 09-3011-2-03XX | .500 |         |         |

| COMPONENT  | MATERIAL      | FINISH       | INSULATION COLOR |       |
|------------|---------------|--------------|------------------|-------|
| INSULATION | POLYPROPYLENE | -            | -10              | BLACK |
| PIN        | BRASS         | GOLD PLATING | -12              | RED   |
|            |               |              | -16              | BLUE  |

## 09-3002-X-03XX INSULATED SHORTING PLUGS

BASIC PART NO FINISH COLOR

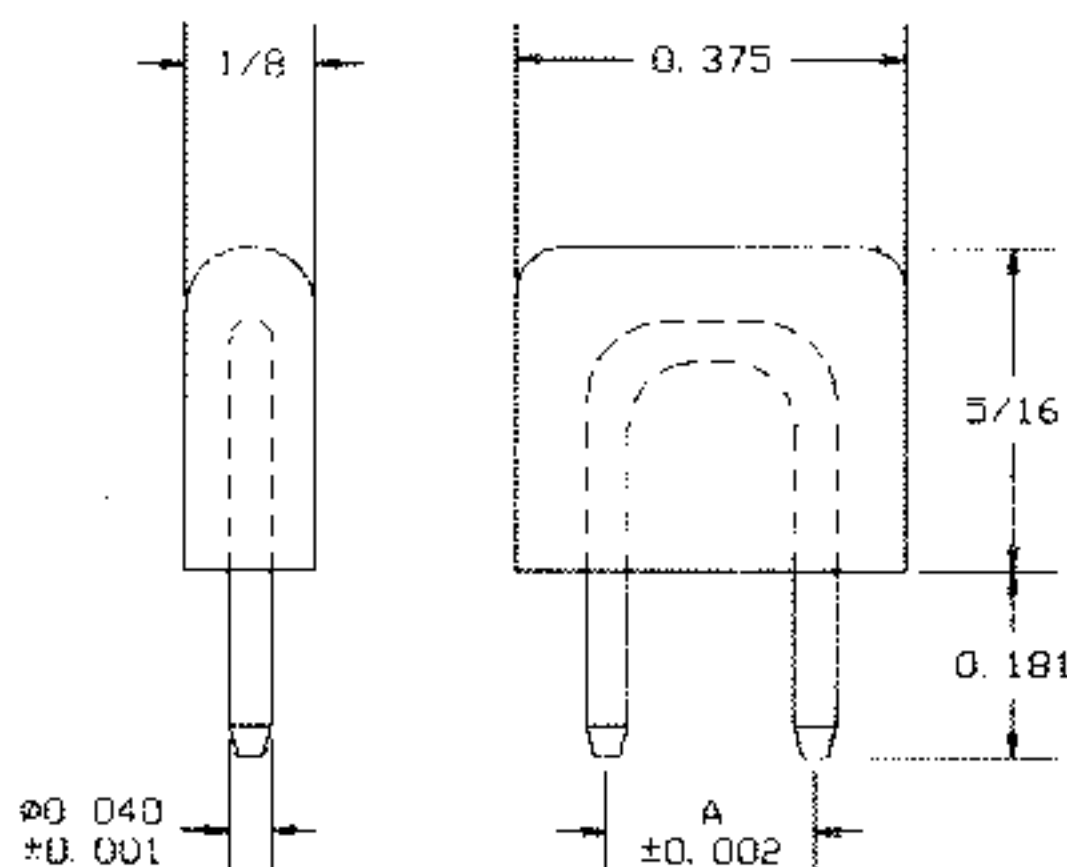


| BASIC PART NO. | A    | L    | D±.001 | B    |
|----------------|------|------|--------|------|
| 09-3002-1      | .200 | .334 | .040   | .181 |
| -2             | .250 | .384 | .040   | .181 |
| -3             | .300 | .434 | .040   | .181 |
| -4             | .400 | .534 | .040   | .181 |
| -5             | .500 | .634 | .040   | .181 |
| 09-3006-1      | .200 | .334 | .025   | .125 |
| -2             | .250 | .384 | .025   | .125 |
| -3             | .300 | .434 | .025   | .125 |
| -4             | .400 | .534 | .025   | .125 |
| -5             | .500 | .634 | .025   | .125 |

| COMPONENT  | MATERIAL      | FINISH       | INSULATION COLOR |       |
|------------|---------------|--------------|------------------|-------|
| INSULATION | POLYPROPYLENE | -            | -10              | BLACK |
| PIN        | BRASS         | GOLD PLATING | -12              | RED   |
|            |               |              | -16              | BLUE  |

## 09-3014-X-03XX INSULATED SHORTING PLUGS WITH .040 DIA. PIN

BASIC PART NO FINISH COLOR

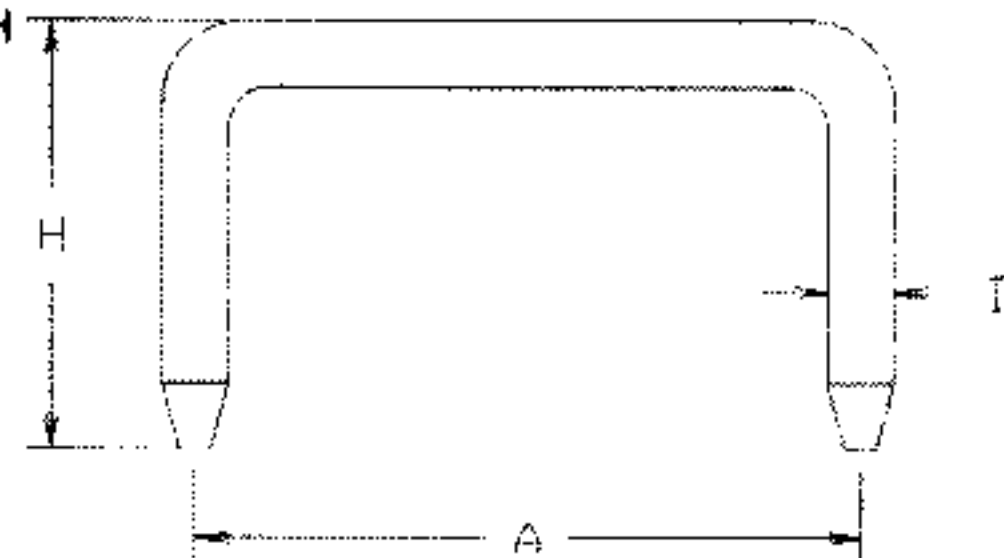


| PART NUMBER    | "A"  |
|----------------|------|
| 09-3014-1-03XX | .200 |
| 09-3015-1-03XX | .250 |

| COMPONENT  | MATERIAL      | FINISH       | INSULATION COLOR |       |
|------------|---------------|--------------|------------------|-------|
| INSULATION | POLYPROPYLENE | -            | -10              | BLACK |
| PIN        | BRASS         | GOLD PLATING | -12              | RED   |

## SHORTING PLUGS NON-INSULATED SHORTING PLUGS

BASIC PART NO FINISH

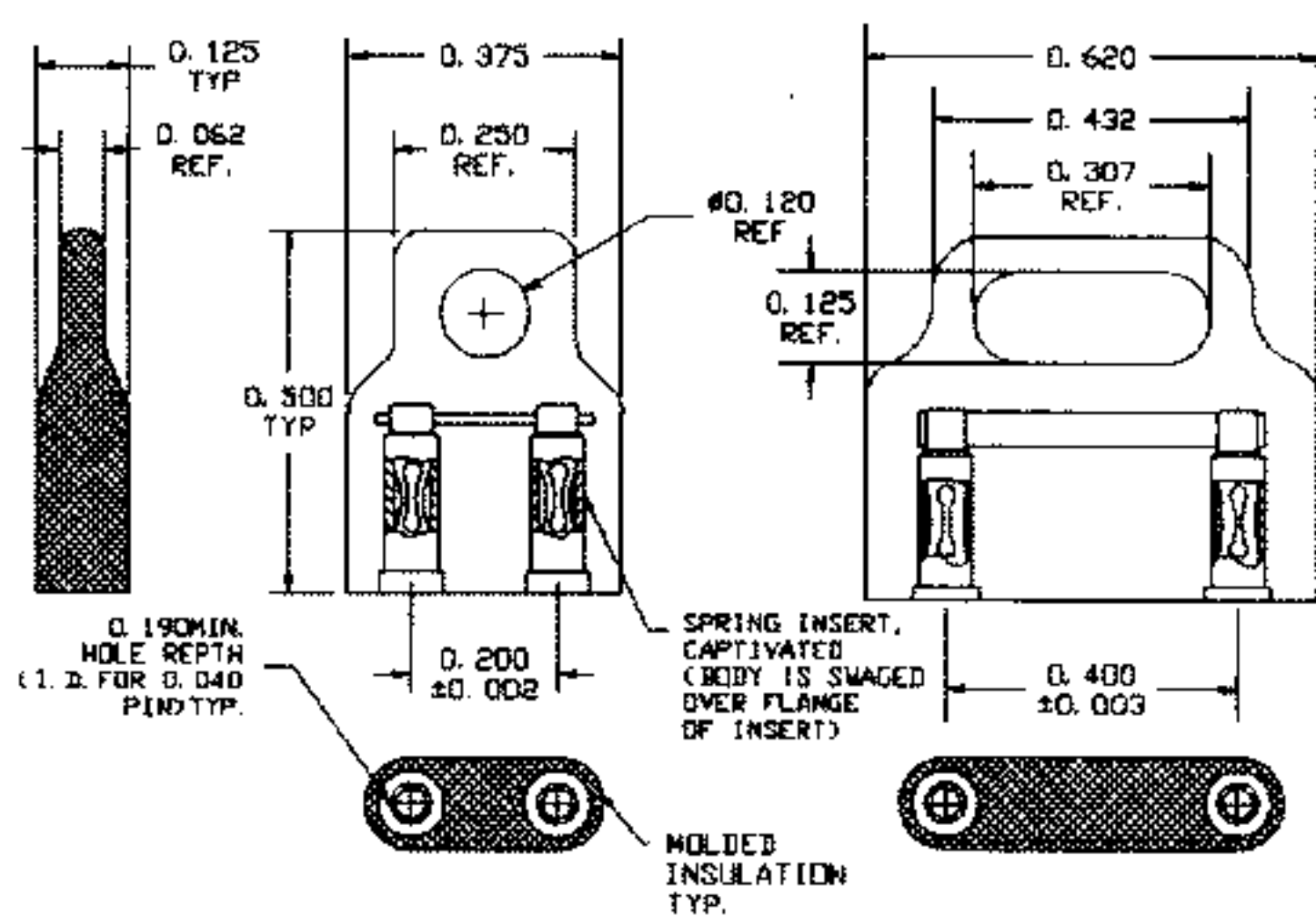


GOLD PLATED

| PART NO.     | D    | A    | H         |
|--------------|------|------|-----------|
| 09-3001-1-03 | .040 | .200 | .261±.010 |
| 09-3001-2-03 | .040 | .250 | .261±.010 |
| 09-3001-3-03 | .040 | .300 | .261±.010 |
| 09-3001-4-03 | .040 | .400 | .261±.010 |
| 09-3001-5-03 | .040 | .500 | .261±.010 |
| 09-3004-1-03 | .025 | .200 | .200±.010 |
| 09-3004-2-03 | .025 | .250 | .200±.010 |
| 09-3004-3-03 | .025 | .300 | .200±.010 |
| 09-3004-4-03 | .025 | .400 | .200±.010 |
| 09-3004-5-03 | .025 | .500 | .200±.010 |

## 09-3020-X-06XX INSULATED SHORTING PLUG WITH .040 DIA. PIN

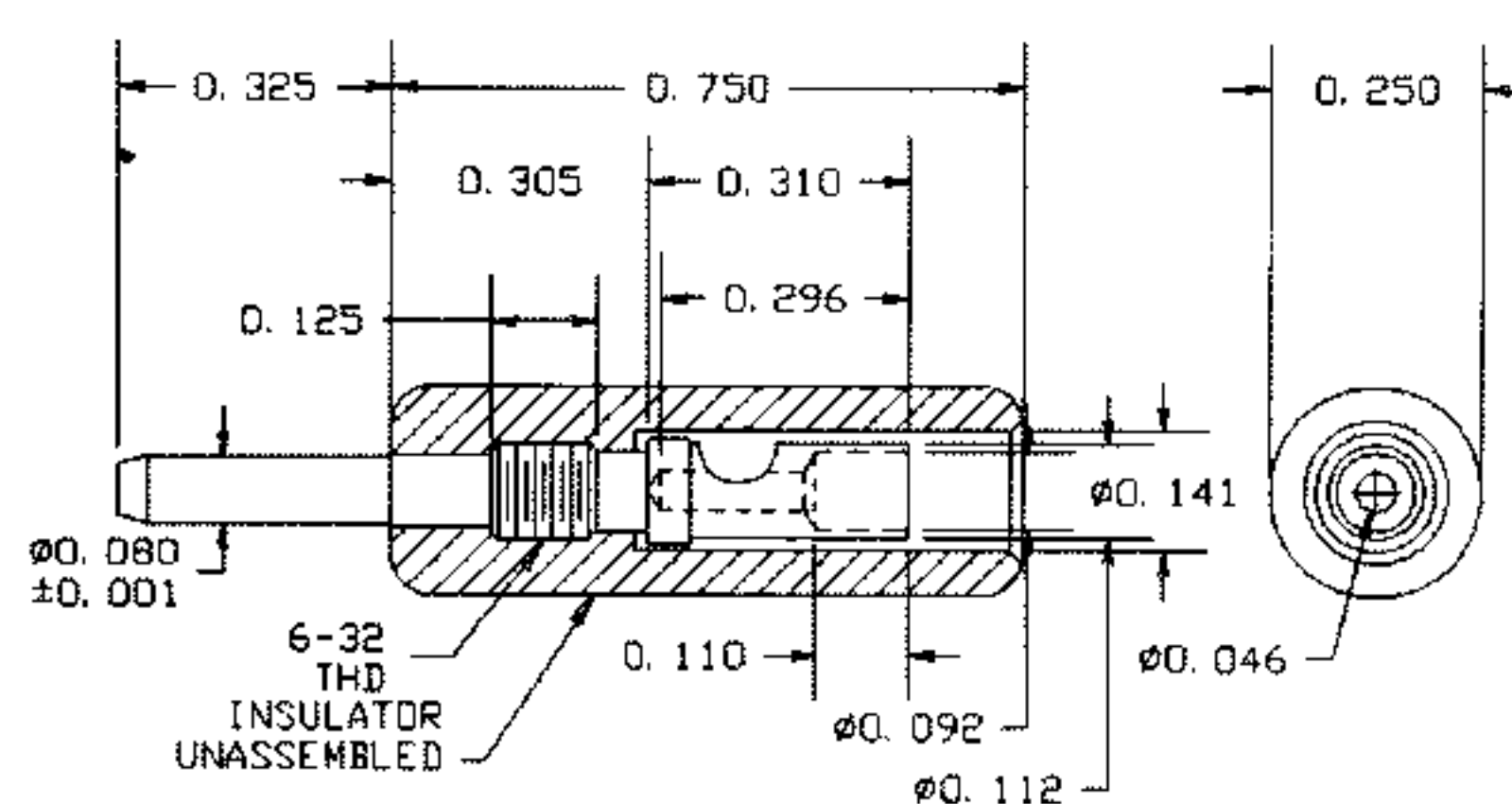
BASIC PART NO FINISH COLOR



| COMPONENT   | MATERIAL         | FINISH      | INSULATION COLOR |       |
|-------------|------------------|-------------|------------------|-------|
| INSULATION  | POLYPROPYLENE    | -           | -10              | BLACK |
| JACK BODY   | BRASS            | TIN PLATED  | -12              | RED   |
| JACK SPRING | BERYLLIUM COPPER | GOLD PLATED | -16              | BLUE  |
| STRAP       | COPPER           | TINNED      |                  |       |

## 01-2150-1-03XX .080 DIA. PIN FOR PATCH CORD ASSEMBLY INSULATED HANDLE

BASIC PART NO FINISH COLOR



FOR USE ONLY WITH #22 AWG 7 STRAND #30 COPPER WIRE .054 MAX. DIA. OVER INSULATION.

| COMPONENT  | MATERIAL | FINISH       | INSULATION COLOR |       |
|------------|----------|--------------|------------------|-------|
| INSULATION | PLASTIC  | -            | -10              | BLACK |
| PIN        | BRASS    | GOLD PLATING | -12              | RED   |
|            |          |              | -16              | BLUE  |

