

# PTFE INSULATED TERMINALS

## 11XX-XX-XX XX

BASIC PART NUMBER FINISH COLOR (SEE COLOR CHART ON PAGE 143)

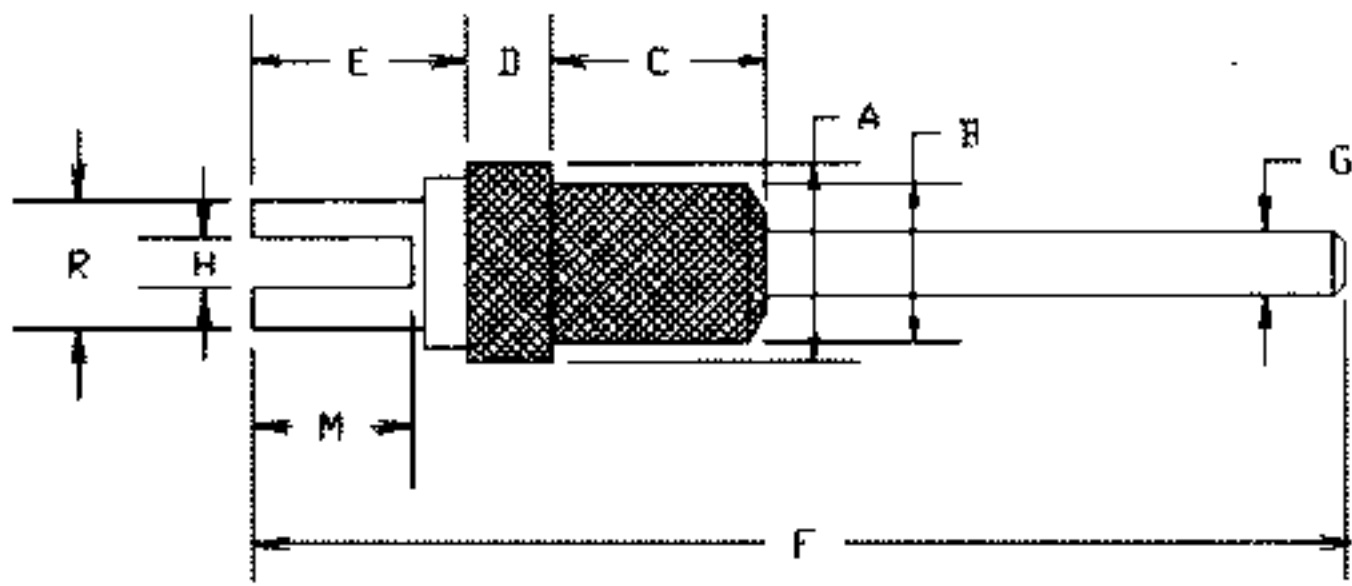


FIG. 380

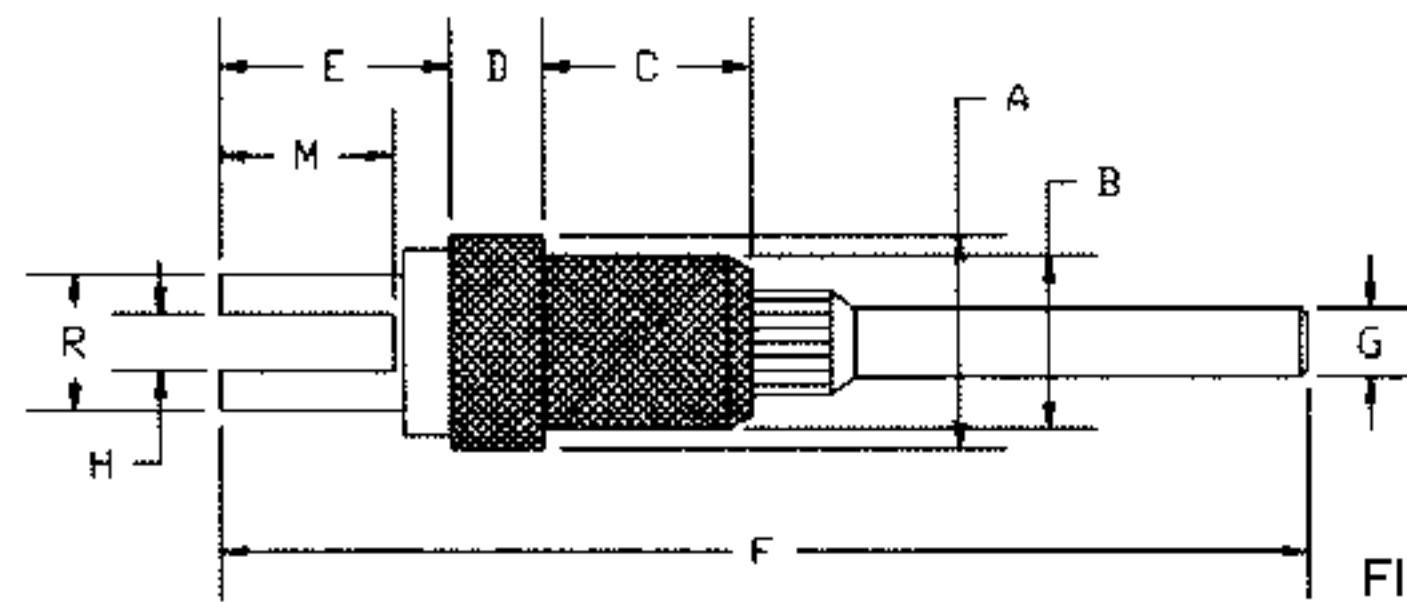


FIG. 390

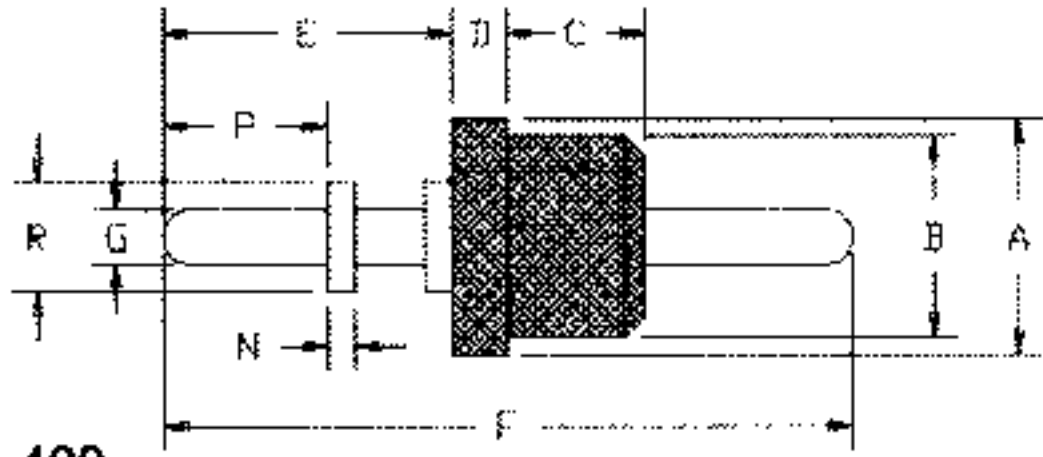


FIG. 400

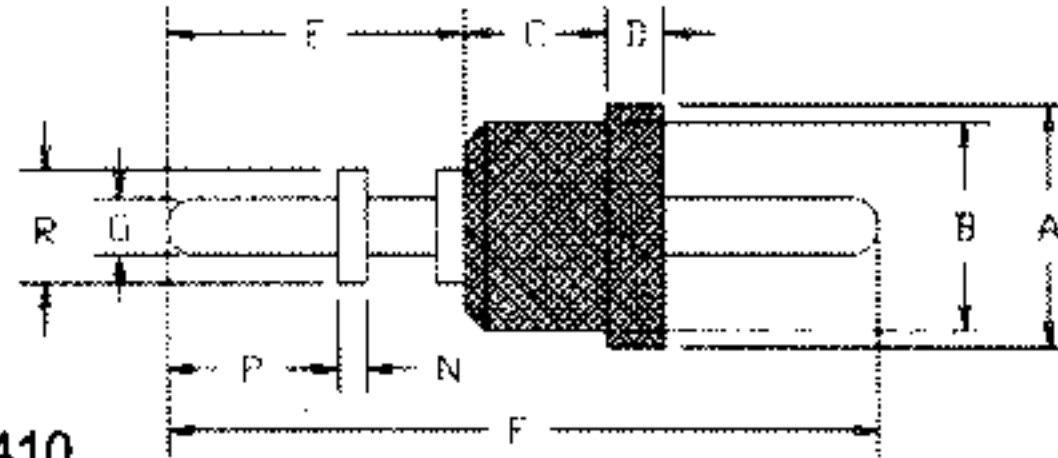


FIG. 410

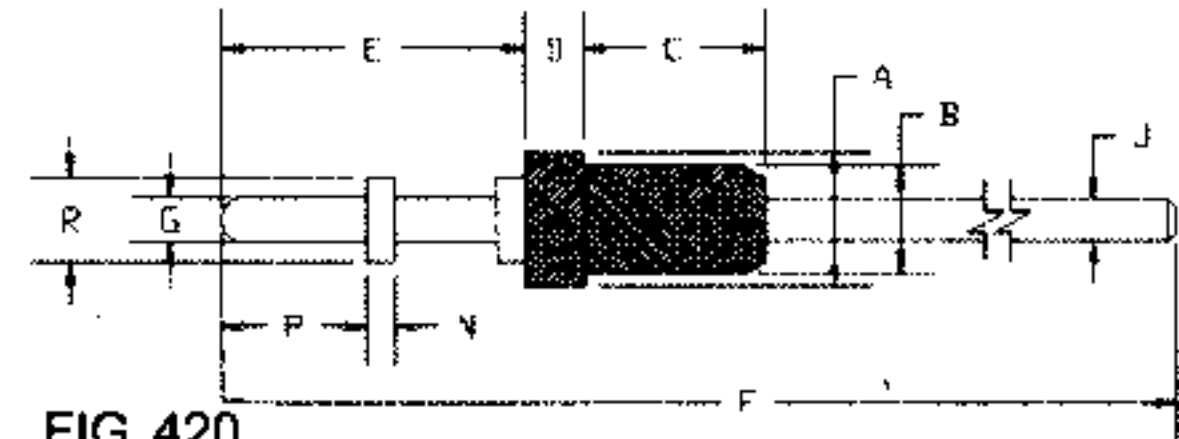


FIG. 420

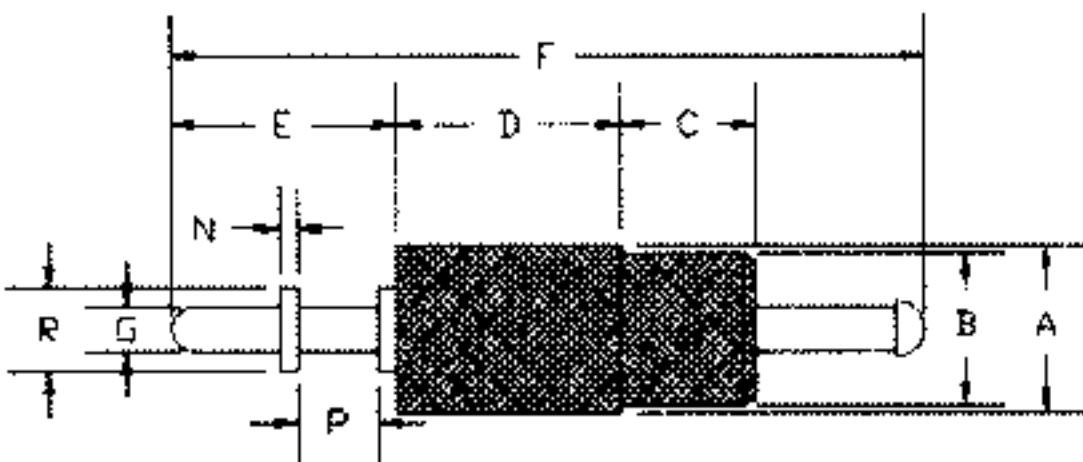


FIG. 430

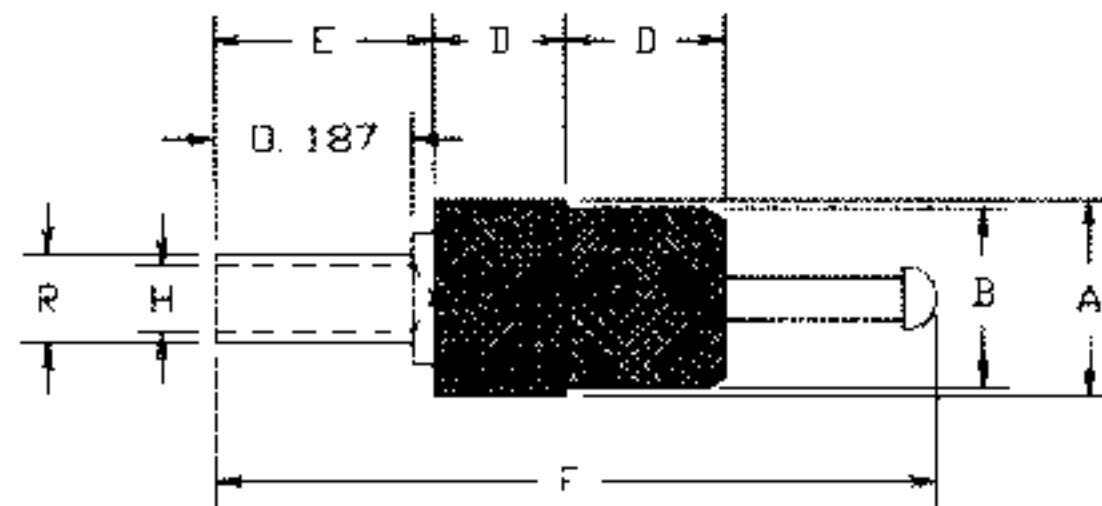


FIG. 440

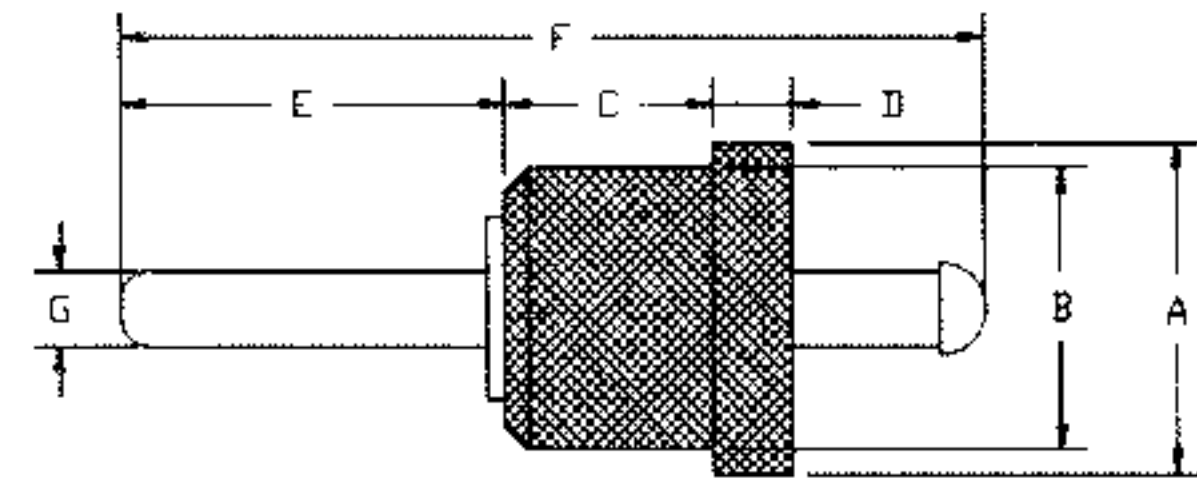


FIG. 450

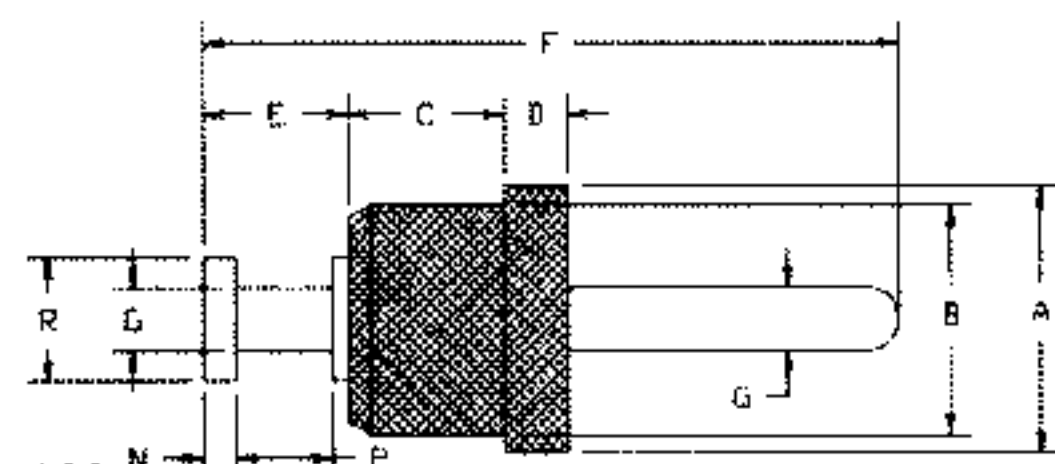


FIG. 460

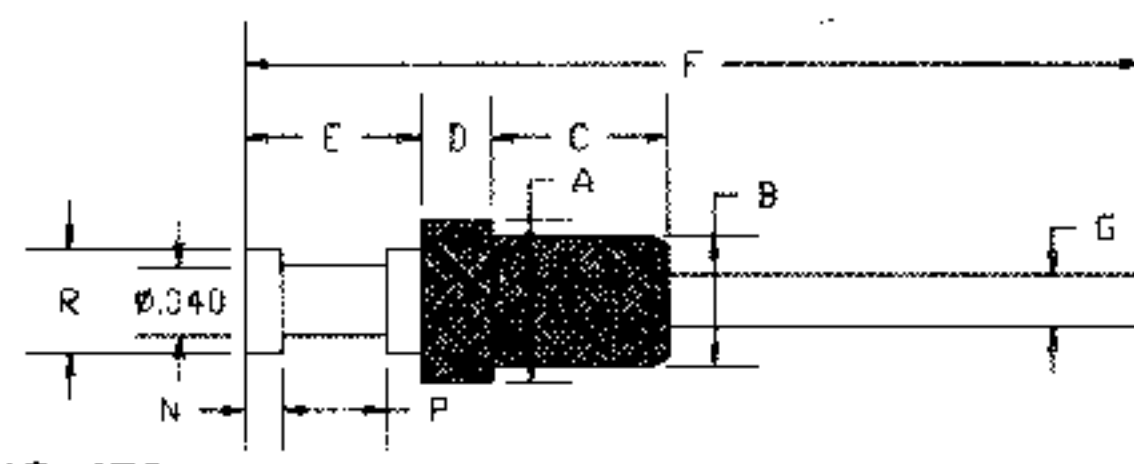


FIG. 470

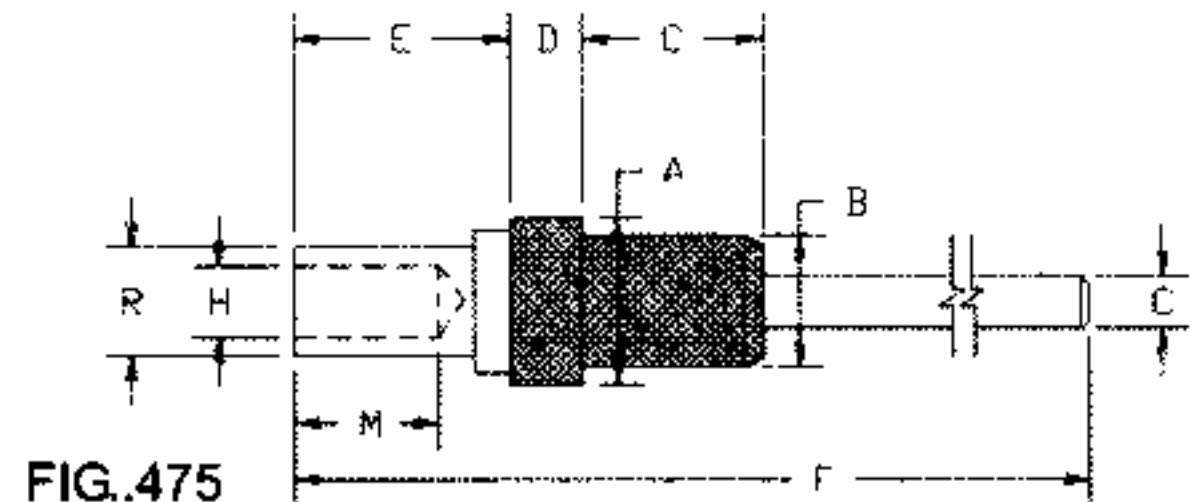


FIG. 475

FIG.	PART NO.	A	B	C	D	E	F	G	H	J	M	N	P	R
FIG.380	1137-03	.093	.075	.100	.040	.100	.320	.030*	.024		.080			.060
	1137-01	.093	.075	.100	.040	.100	.510	.030*	.024		.080			.060
	1137-02	.093	.075	.100	.040	.100	.552	.030*	.024		.080			.060
FIG.390	1135-02	.093	.075	.090	.040	.100	.471	.030	.024		.075			.060
	1135-01	.093	.075	.090	.040	.100	.510	.030	.024		.075			.060
	1135-03	.093	.075	.090	.040	.225	.635	.030	.024		.075			.060
FIG.400	1119-20	.172	.148	.100	.040	.210	.500	.040				.020	.120	.080
FIG.410	1119R-20	.172	.148	.100	.040	.210	.500	.040				.020	.120	.080
FIG.420	1119-25	.093	.075	.125	.040	.210	1.500	.032**		.030		.020	.100	.060
FIG.430	1119-02	.188	.171	.150	.250	.250	.836	.050				.020	.093	.093
FIG.440	1111-57	.187	.171	.150	.125	.207	.680		.063					.085
FIG.450	1131R-50	.218	.185	.135	.052	.250	.562	.050**						
FIG.460	1121R-50	.172	.148	.100	.040	.093	.443	.040				.020	.062	.080
FIG.470	1121-51	.093	.075	.100	.040	.100	.510	.030				.020	.060	.060
FIG.475	1113-54	.093	.075	.100	.040	.125	.327	.030	.040		.080			.060
	1113-51	.093	.075	.100	.040	.125	.588	.030	.040		.080			.060

\*\*±.001

\*+.000/-0.005

