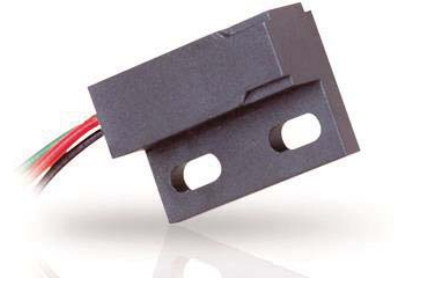


Magnetic Proximity Sensors (Reed)

MP2019 Sensors

Reed based magnetic proximity sensor
in plastic flange-mount package



Description

The MP2 Series sensors are reed position sensors. Normally open or closed contacts change states when a magnetic field is applied. The sensors act as non-latching electrical switches.

Features

- Contacts hermetically sealed for long life
- Zero power consumption
- Suitable for DC and AC circuits
- Flange mount
- RoHS compliant
- IP65
- Operate/Release Distances*: 10.16 mm – 22.86 mm (0.4" – 0.9")

Typical Applications

- Door position & interlock
- Limit switch
- Flow/speed
- Home security
- Pedal switch

Environmental Specifications

| | |
|-----------------------|--|
| Vibration | 20 g 10 Hz to 1 kHz (MP201901), 20 g 10 Hz to 55 Hz (MP201902, M201903) |
| Operating Temperature | -40 °C to 105 °C (-40 °F to 221 °F) |
| Storage Temperature | -40 °C to 105 °C (-40 °F to 221 °F) |
| Ingress Protection | IP65 |

Electrical Specifications

| | |
|--------------------------------------|--------------------|
| Typical Operating Time | 1 ms |
| Breakdown Voltage | 200 VDC min. |
| Switching Voltage and Current | See Products chart |
| Contact Resistance and Power rating: | See Products chart |

Mechanical Specifications

| | |
|----------------------------------|-----------------------------------|
| Housing Material | Glass-reinforced plastic |
| Operate/Release Distances* | 10.16 mm – 22.86 mm (0.4" – 0.9") |
| *with AS201901 magnetic actuator | |

Products

| Part Number | Contact Form | Maximum Power Rating | Maximum Switching Voltage | Maximum Switching Current | Maximum Contact Resistance |
|-------------|-------------------|----------------------|---------------------------|---------------------------|----------------------------|
| MP201901 | SPST-NO Form A | 10 W | 175 VAC/VDC | 0.5 A | 0.200 Ω |
| MP201902 | SPST-NC Form B | 3 W | 30 VAC/VDC | 0.2 A | 0.100 Ω |
| MP201903 | SPST-CO Form C | 3 W | 30 VAC/VDC | 0.2 A | 0.100 Ω |

All MP2019 sensors come with leads 24 AWG x 305 mm (12")

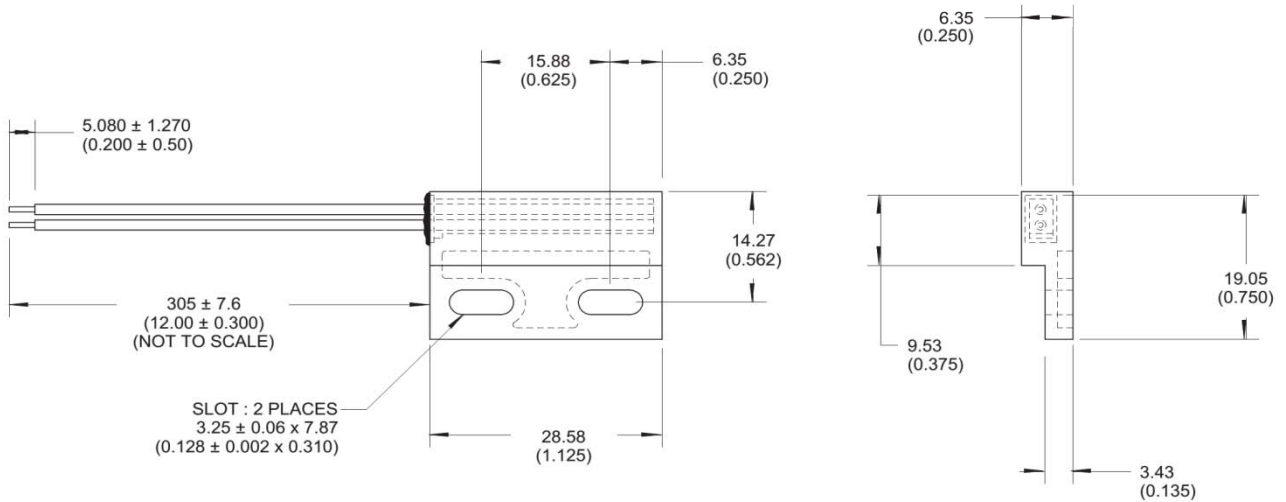
www.switches-sensors.zf.com

Page 1 of 2, last update 2016-10-03. Specifications subject to change without notice.

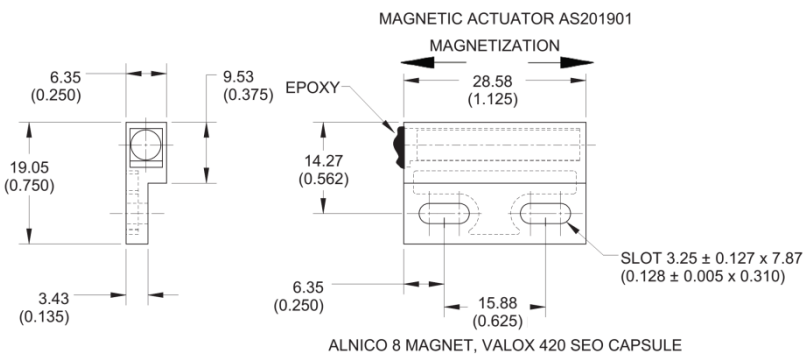
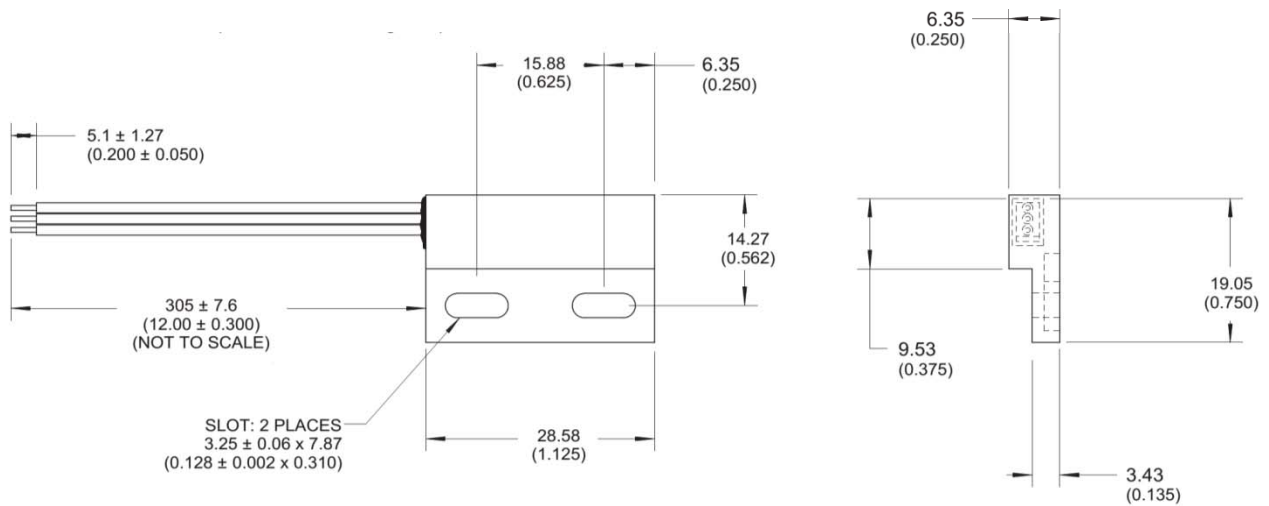


Dimensions mm (inches)

MP201901 (Form A - N.O.) and MP201902 (Form B - N.C.)



MP201903 (Form C - SPDT Changeover)



| Wire designations | |
|-------------------|--------|
| BLACK | NO |
| BLUE | NC |
| BROWN | COMMON |

Alignment for Best Performance

