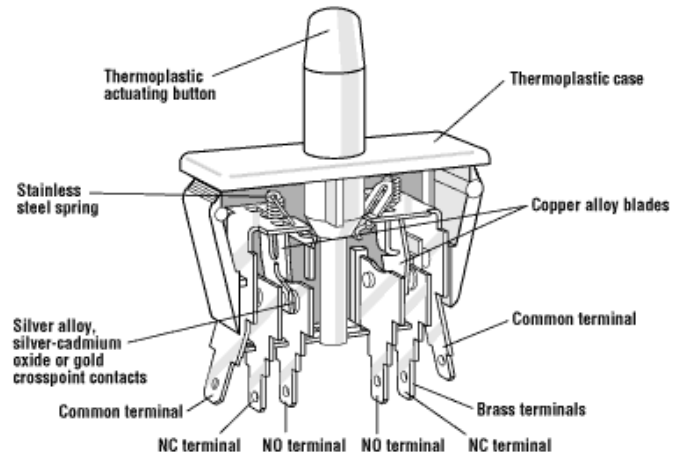


# PANEL MOUNT PUSHBUTTON – DOUBLE POLE E75-E79 Series



## Features

- Choice of Momentary, Push-Pull (reset) and Cheat Interlock
- Long life coil spring, snap action mechanism
- Agency approved extended life versions available
- Snap in mounting
- VDE available on select models
- RoHS Compliant

Electrical Ratings and Operating Life				
Switch Series	According to EN61058-1		According to UL1054	
	Nominal Load	Operation cycles	Nominal Load	Operation cycles
<b>E75</b>	N/A	N/A	16A, 125/250VAC; 1/3HP; 125/250VAC	6,000 *
<b>E77</b> <b>F77</b>	N/A 0.1(0.05)A, 125VAC; 10(4)A, 250VAC	N/A 50,000	0.1A 125vac; 10A 1/3HP, 125/250vac	6,000 *
<b>E78</b> <b>F78</b>	N/A 0.1(0.05)A, 125VAC	N/A 50,000	0.1A, 125VAC	6,000 *
<b>E79</b> <b>F79</b>	N/A 10(4)A, 250VAC	N/A 50,000	10A, 125/250VAC; 1/3HP, 125/250VAC	6,000 *

\* Extended life UL versions available. Contact factory for more information. Special part number required.

Technical Specifications		Material Specifications	
<b>Temperature Rating:</b>	-40°C to 85°C	<b>Case:</b>	Thermoplastic Polyester
<b>Flammability Rating</b>	UL94V-0	<b>Actuator button:</b>	Thermoplastic Acetal
<b>Terminals</b>	Up to 10A: 0.187" x 0.020" 16A: 0.250" x 0.032" VDE versions: 0.0187" x 0.032"	<b>Terminals:</b>	Brass (Common Ag plated)
<b>UL File Number:</b>	E23301	<b>Moving Blade:</b>	Beryllium Copper
		<b>Spring:</b>	Stainless Steel
		<b>Contacts:</b>	Silver-CdO: E75, E/F79 Gold Crosspoint: E/F78

Specifications subject to change

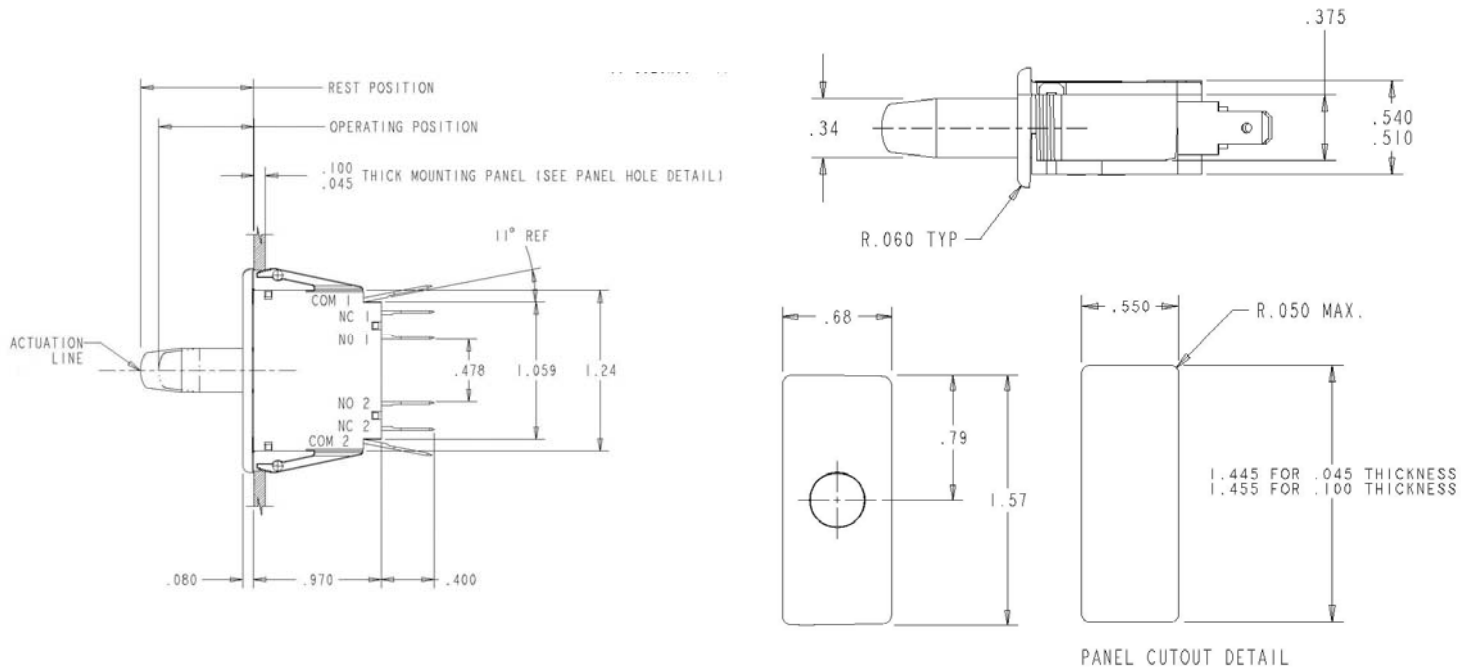
Optional



# PANELMOUNT PUSHBUTTON – DOUBLE POLE

## E75-E79 Series

Dimensions - inches



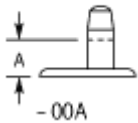
### Commonly Stocked Distributor Items / Preferred Part Numbers

Item Number	EN Rating	UL Rating	Button Style	Rest Position inches (mm)	Maximum Pretravel inches (mm)	Operating Point inches (mm)	Minimum Overtravel inches (mm)	Max. Movement Differential inches (mm)	Maximum Operating Force (grams)	Maximum Full Overtravel inches (mm)
0E7800A0	N/A	0.1A, 125VAC	Momentary	0.845 - 0.905 (21.46 - 22.99)	0.125 (3.18)	0.720 - 0.820 (18.29 - 20.83)	0.375 (9.53)	0.075 (1.91)	680	0.400 (10.16)
0E7830A0	N/A	0.1A, 125VAC	Momentary	0.730 - 0.790 (18.54 - 20.07)	0.125 (3.18)	0.610 - 0.710 (15.49 - 16.03)	0.100 (2.54)	0.075 (1.91)	757	0.520 (13.21)
			Cheat	0.730 - 0.790 (18.54 - 20.07)	0.155 (3.94)	0.800 - 0.900 (20.32 - 22.86)	0.030 (0.76)	0.090 (2.29)	800	0.980 (24.89)
0E7840A0	N/A	0.1A, 125VAC	Momentary	0.420 - 0.480 (10.67 - 12.19)	0.125 (3.18)	0.300 - 0.400 (7.62 - 10.16)	0.175 (4.45)	0.075 (1.91)	680	0.125 (3.18)
0E7900A0	N/A	10A, 125/250VAC; 1/3HP 125/250VAC	Momentary	0.845 - 0.905 (21.46 - 22.99)	0.125 (3.18)	0.720 - 0.820 (18.29 - 20.83)	0.375 (9.53)	0.075 (1.91)	680	0.400 (10.16)
0E7930A0	N/A	10A, 125/250VAC; 1/3HP 125/250VAC	Momentary	0.730 - 0.790 (18.54 - 20.07)	0.125 (3.18)	0.610 - 0.710 (15.49 - 16.03)	0.100 (2.54)	0.075 (1.91)	757	0.520 (13.21)
			Cheat	0.730 - 0.790 (18.54 - 20.07)	0.155 (3.94)	0.800 - 0.900 (20.32 - 22.86)	0.030 (0.76)	0.090 (2.29)	800	0.980 (24.89)
0E7940A0	N/A	10A, 125/250VAC; 1/3HP 125/250VAC	Momentary	0.420 - 0.480 (10.67 - 12.19)	0.125 (3.18)	0.300 - 0.400 (7.62 - 10.16)	0.175 (4.45)	0.075 (1.91)	680	0.125 (3.18)
0F7930A0	10(4)A, 250VAC	10A, 125/250VAC; 1/3HP 125/250VAC	Momentary	0.730 - 0.790 (18.54 - 20.07)	0.125 (3.18)	0.610 - 0.710 (15.49 - 16.03)	0.100 (2.54)	0.075 (1.91)	757	0.520 (13.21)
			Cheat	0.730 - 0.790 (18.54 - 20.07)	0.155 (3.94)	0.800 - 0.900 (20.32 - 22.86)	0.030 (0.76)	0.090 (2.29)	800	0.980 (24.89)

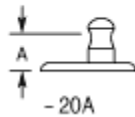
# PANELMOUNT PUSHBUTTON – DOUBLE POLE

## E75-E79 Series

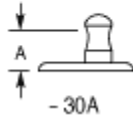
### Button Details



Basic Momentary  
- 00A



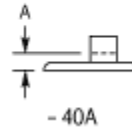
Push-Pull (Reset)  
- 20A



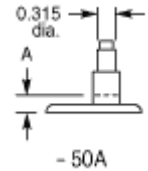
Momentary  
- 30A



Cheat Interlock  
- 30A



Short Button Momentary  
- 40A



Momentary - For Auxiliary Push Button  
- 50A

"A" dimension is full overtravel dimension – see above

### Ordering Information

Select the desired contact rating

**E79**

Combine with the button style

**40A**

Full part number

**E79-40A**

For single throw versions:

Select the desired contact rating

**E79**

Combine with the button style

**40A**

SPST – NO

**E79-41A**  
(Add 1 to suffix)

SPST - NC

**E79-42A**  
(Add 2 to suffix)

### Contact

Call, fax or visit our Website for more information.

**ZF Electronics Corporation**  
11200 88th Avenue  
Pleasant Prairie, WI 53158

Phone: 262.942.6500  
Web: [www.cherrycorp.com](http://www.cherrycorp.com)  
Email: [cep\\_sales@zf.com](mailto:cep_sales@zf.com)  
Fax: 262.942.6566

The manufacturer accepts no liability for errors or non-availability, and reserves the right to change specifications without prior notice.

Technical data relates to product specifications only. Features may differ from those described. Only drawings combined with product specifications shall be deemed binding.

© 2007 ZF Electronics Corporation

Last Updated: 070711

