

# IPSUAT Series

## Intrinsically Safe Pressure Transducer



**Approvals:-**  
ATEX / IECEx  
II Ex ia IIC T4 Ga Ta (see schedule)



- **Piezo-resistive thick film ceramic sensor**
- **Stainless steel body**
- **Accuracy  $<\pm 0.25\%$  FS BFSL**
- **Pressure ranges from vacuum to 5800psi**

The IPSUAT series is ideally suited for use in a wide range of industrial applications in hazardous areas. The probe uses a piezo-resistive ceramic sensor, giving excellent media compatibility within a stainless steel housing

The electronics incorporate a microprocessor based amplifier, requiring no adjusting and giving stable electronics, especially industrial applications.

Each device is temperature compensated, calibrated and supplied with a traceable serial number and calibration certificate.



Electrical Protection		Performance	
Supply reverse polarity	No damage but also no function	Accuracy (Non-Linearity & Hysteresis)	$<\pm 0.25\%$ / FS (BFSL)
Electromagnetic compatibility	CE Compliant	Setting Errors (offsets)	Zero & Full Scale, $<\pm 0.5\%$ / FS
Mechanical Stability		Material Specifications	
Shock	100g / 11s	Housing	316 Stainless Steel
Vibration	10g RMS (20 - 2000Hz)	"O" ring seals	Viton
Environment & Thermal Effects		Diaphragm	Ceramic Al <sub>2</sub> O <sub>3</sub> 96%
Operating Temperature	-20°C to +120°C	Media wetted parts	Housing & connection, "O" ring seal, diaphragm
Storage temperature	-40°C to +110°C	Weight	Approx 100g
Compensated temperature range	+20°C to +80°C	Installation position	Any
Thermal Zero Shift (TZS)	$<\pm 0.04\%$ / FS/°C	Operational Life	$> 100 \times 10^6$ cycles
Thermal Span Shift	$<\pm 0.015\%$ /°C	Insulation resistance	$> 50\text{M}\Omega$ at 50Vdc
Permissible environment zone 0	-20°C to +60°C with patm 0.8 to 1.1 bar		

Pressure Ranges										
Nominal Pressure, Gauge,	psi	15	30	75	150	300	750	1500	3750	6000
Compound range	psi	-15 to 0	-15 to 30	-15 to 75	-15 to 1235	-15 to 285	-15 to 360			
Permissible Overpressure	psi	30	60	150	300	600	1500	3000	6000	9750
Burst Pressure	psi	60	75	180	375	750	1800	3750	7500	9750

Output Signal and Supply Voltage					
Wire system	Output	Supply Voltage	Connection	Pin Nos	
2-wire	4-20mA	10-28Vdc	+ve Supply	Pin 1	-ve Supply Pin 2 Ground Earth Pin

Cynergy3 Components Ltd.  
7 Cobham Road  
Ferndown Industrial Estate  
Wimborne, Dorset BH21 7PE  
Telephone +44 (0) 1202 897969  
Email:sales@cynergy3.com



ISO9001 CERTIFIED  
IPSUAT 2016

www.cynergy3.com

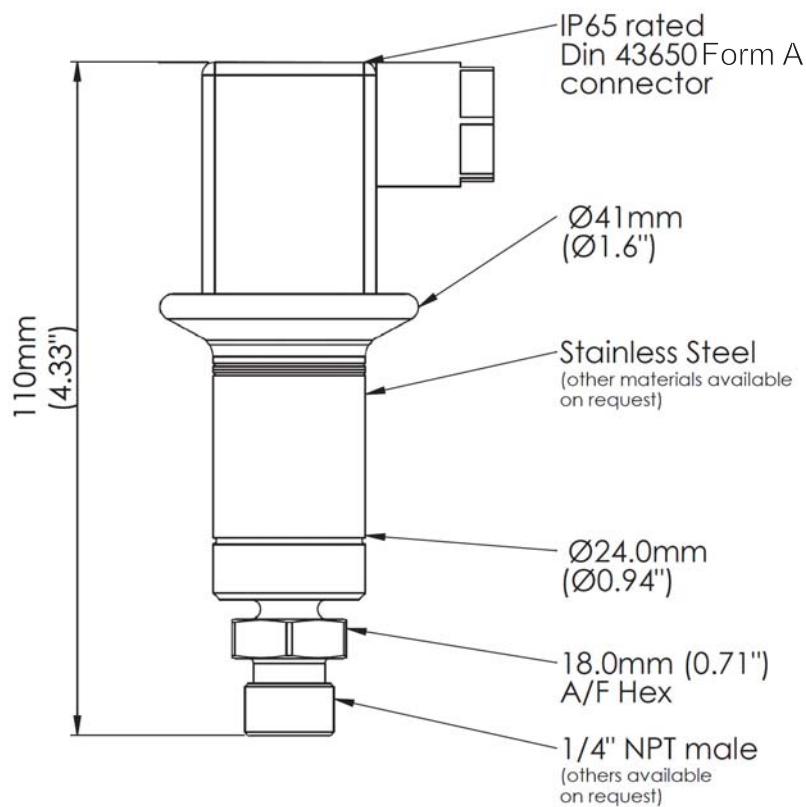
# IPSUAT Series

## Intrinsically Safe Pressure Transducer



Part Number	Pressure Rating
IPSUAT-GP015-5	0-15psi G
IPSUAT-GP030-5	0-30psi G
IPSUAT-GP075-5	0-75psi G
IPSUAT-C0446-5	-14.5 to +150 psi G
IPSUAT-GP100-5	0-100psi G
IPSUAT-GP150-5	0-150psi G
IPSUAT-C0447-5	-14.5 to +350 psi G
IPSUAT-GP300-5	0-300psi G
IPSUAT-GP750-5	0-750psi G
IPSUAT-GP1K5-5	0-1500psi G
IPSUAT-GP3K6-5	0-3600psi G
IPSUAT-GP5K8-5	0-5800psi G

### Mechanical Dimensions



Cynergy3 Components Ltd.  
 7 Cobham Road  
 Ferndown Industrial Estate  
 Wimborne, Dorset BH21 7PE  
 Telephone +44 (0) 1202 897969  
 Email:sales@cynergy3.com



Made in the UK

ISO9001 CERTIFIED

www.cynergy3.com