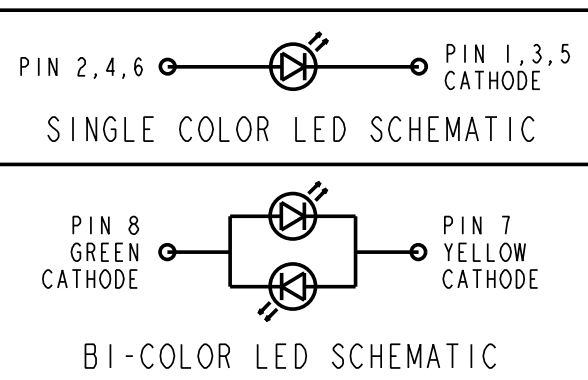
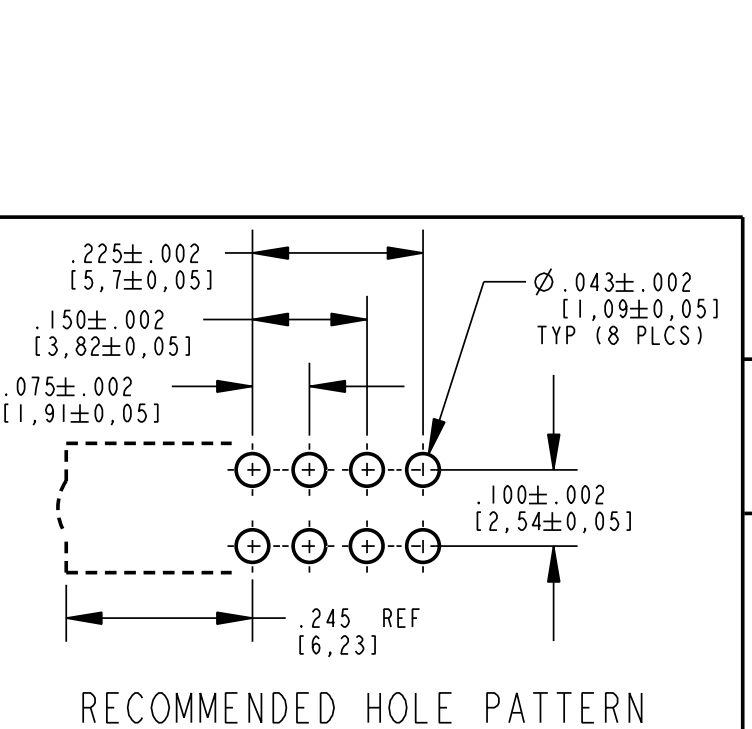
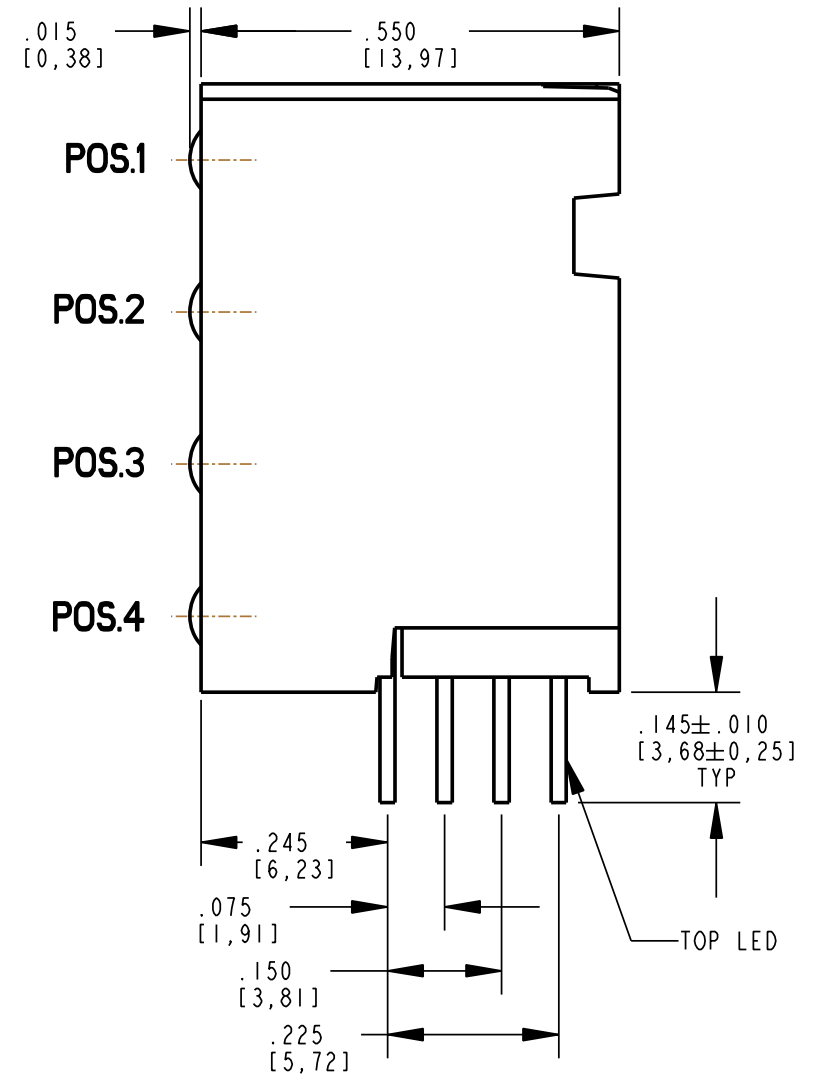
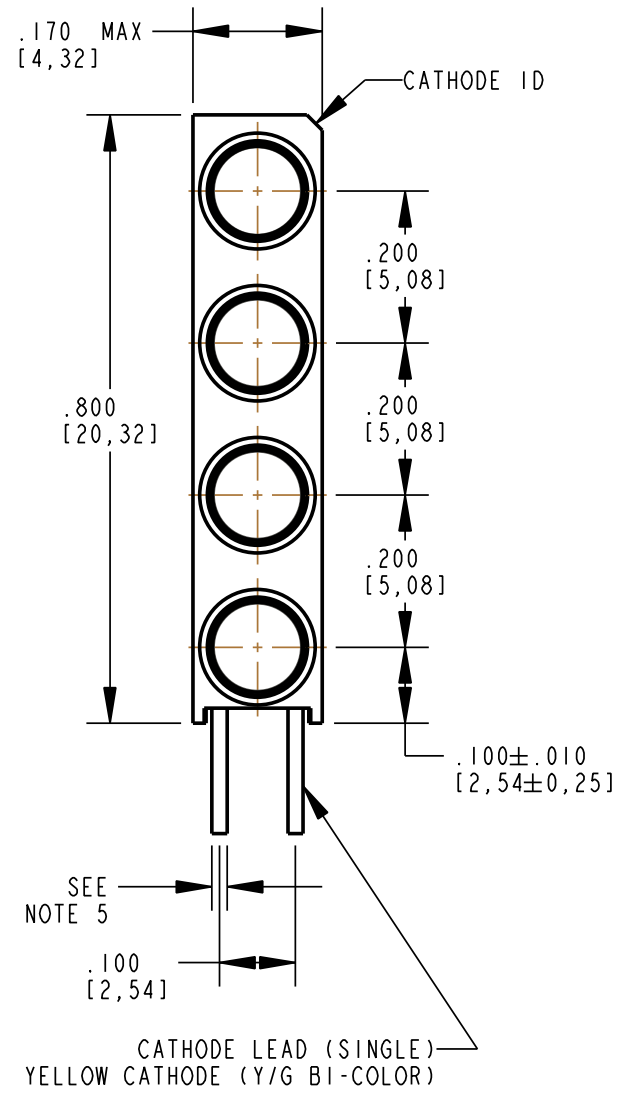


DIALIGHT PART NUMBER	LED AND LENS COLOR			
	POS 1	POS 2	POS 3	POS 4
568-0711-828F	RED DIFFUSED	RED DIFFUSED	YELLOW DIFFUSED	YELLOW/GREEN (WHITE DIFFUSED LENS)

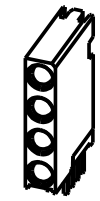
REV	ECN NO	REVISIONS	DRN	CKD	APP	DATE
A	—	NEW RELEASE	KLJ			



ABSOLUTE MAXIMUM RATINGS AT 25°C AMBIENT	RED	YELLOW	YEL/GRN BI-COLOR		UNITS
			YELLOW	GREEN	
POWER DISSIPATION	100	60	60	100	mW
DERATE LINEARLY FROM 50°C	0.4	0.25	0.25	0.4	mA/°C
CONTINUOUS FORWARD CURRENT	30	20	20	30	mA
PEAK FORWARD CURRENT (1/10 DUTY CYCLE, 0.1ms PULSE WIDTH)	120	80	80	120	mA
LEAD SOLDERING TEMPERATURE, 5 SEC., 1/16" FROM BODY	260				°C
OPERATING TEMPERATURE	-55 TO +100				°C
STORAGE TEMPERATURE	-55 TO +100				°C

OPERATING CHARACTERISTICS AT 25°C AMBIENT							
CHARACTERISTICS	COLOR	MIN	TYP	MAX	UNITS	TEST CONDITIONS	
LUMINOUS INTENSITY	RED	7.4	10.0		mcd	I _F = 10 mA	
	YELLOW	7.4	10.0				
	YELLOW/GREEN BI-COLOR	YELLOW	2.5	6.3			
		GREEN	2.5	4.3			
FORWARD VOLTAGE	RED		2.0	2.8	V	I _F = 20 mA	
	YELLOW		2.1	2.8			
	YELLOW/GREEN BI-COLOR	YELLOW		2.1			2.8
		GREEN		2.1			2.8
REVERSE CURRENT	ALL			100	µA	V _R = 5 V	
PEAK WAVELENGTH	RED		635		nm		
	YELLOW		585				
	YELLOW/GREEN BI-COLOR	YELLOW		585			
		GREEN		565			
VIEWING ANGLE	RED		60		Degree		
	YELLOW		60				
	YELLOW/GREEN BI-COLOR	YELLOW		80			
		GREEN		80			

- NOTES:
- LED LEAD DIMENSIONS SHOWN ARE MEASURED AT HOUSING EXIT.
 - LEADS TO FIT INTO HOLES SPACED AS PER PATTERN.
 - PIN NUMBERS FOR REFERENCE ONLY, DESIGNATION NON-EXISTENT ON PART.
 - LED LEADS: 60-100µin SILVER (Ag) OVER 30-50µin COPPER (Cu) OVER 10-30µin NICKEL (Ni) OVER 30µin COPPER (Cu) ON MILD STEEL (Fe).
 - LED LEAD THICKNESS: .020 NOM = BI-COLOR; .018 x .016 = SINGLE COLOR
 - DIALIGHT PART NUMBER: 568-0711-828F.
 - THIS ASSEMBLY CONTAINS ELECTROSTATIC DISCHARGE SENSITIVE DEVICES (ESDS). MAINTAIN ALL PRECAUTIONARY MEASURES DURING ASSEMBLY, HANDLING, AND STORAGE IN ACCORDANCE WITH IPC-A-610.



SCALE 1.000

RoHS Compliant 568-0711-828F

Part Numbers with the "F" suffix ending are RoHS Compliant. The bag packaging is marked with "RoHS Compliant" label or equivalent markings. Parts can be wave soldered, dip soldered or hand soldered using typical lead-free soldering process with max 260°C temp. for 5 sec.



ATTENTION:
OBSERVE PRECAUTIONS FOR
HANDLING ELECTROSTATIC
SENSITIVE DEVICES

THIS DRAWING AND THE CONTENTS HEREIN ARE CONFIDENTIAL AND THE SOLE PROPERTY OF DIALIGHT. REPRODUCTION OF THIS DRAWING OR CONSTRUCTION OF ANY PARTS WITHIN THIS DRAWING ARE FORBIDDEN WITHOUT THE WRITTEN CONSENT OF DIALIGHT.		
SCALE: 4.000 ALL DIM'S IN: INCHES (MM)	DRAWING NUMBER C-17688	REV A
TOLERANCES: UNLESS OTHERWISE SPECIFIED FRACTIONS: ±1/64 DECIMALS (.XX): ±.02 DECIMALS (.XXX): ±.015	TITLE Ø3mm QUAD LEVEL CBI R,R,Y,Y/G RoHS COMPLIANT	
ANGLES: ±3° FINISH:	MATERIAL	
FSCM 83330	1501 ROUTE 34 SOUTH FARMINGDALE, NJ 07727	
SHEET 1 OF 1 FAMILY TABLE:		