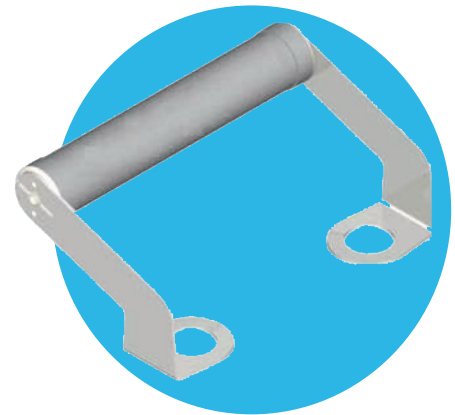


Capacitor Mounting Wirewound Resistors

WPYP Series

- Direct mount on capacitor terminals at 22mm and 32mm pitch
- Power dissipation to 13W @ 25°C
- Corrosion resistant stainless steel terminals
- Good pulse performance
- Robust vibration resistant construction
- RoHS compliant



All parts are Pb-free and comply with EU Directive 2011/65/EU amended by (EU) 2015/863 (RoHS3)

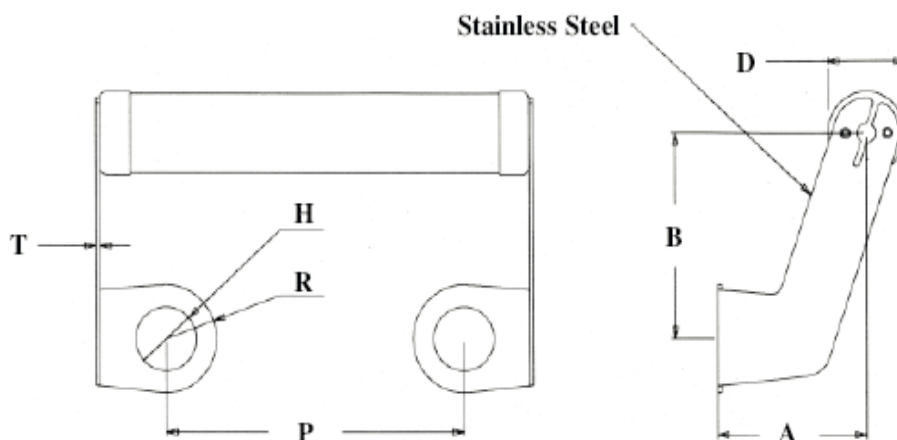
Electrical Data

		WPYP8	WPYP10
Power rating at 25°C	watts	10	13
Power rating at 70°C	watts	8	10
Resistance range	ohms	1R0 – 82K	1R0-120K
Limiting element voltage	volts	685V	940V
TCR	ppm/°C	±100	
Resistance Tolerance	%	1, 2, 5	
Ambient temperature range	°C	-55 to +200	

Physical Data

Dimensions in mm, weight in g

Type	P ±1	A ±1	B ±1	D ±1	T ±0.05	R ±0.20	H ±0.20	Weight
WPYP8	22	15	21	9.5	0.40	5.35	6.35	8
WPYP10	31.8	15	21	9.5	0.40	5.35	6.35	10



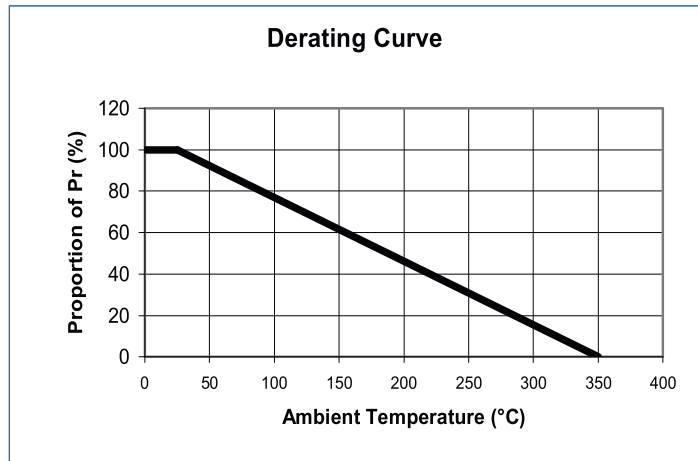
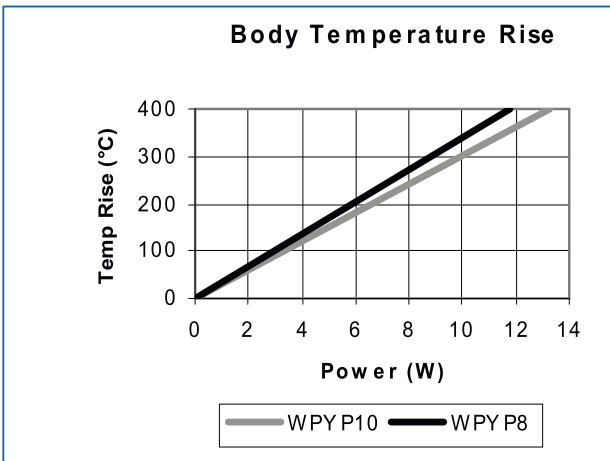
General Note

TT Electronics reserves the right to make changes in product specification without notice or liability. All information is subject to TT Electronics' own data and is considered accurate at time of going to print.

WPYP Series

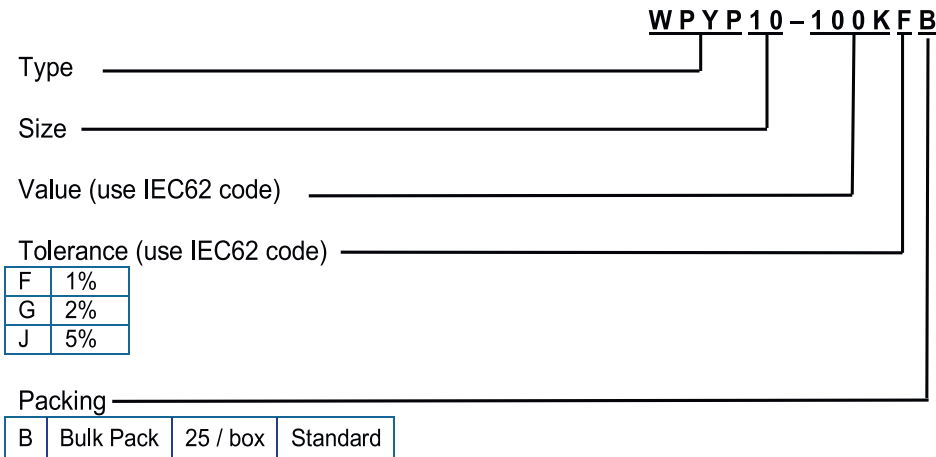
Performance Data

		Maximum
Endurance at rated temperature	Full rated power for 1000hrs (1.5hrs on, 0.5hrs off) at 25°C	$\Delta R\%$ 5 + R05
Short term overload	10x rated power for 5secs	$\Delta R\%$ 2 + R05
Damp Heat Steady State (DHSS)	90-95% RH, 40°C, 56days	$\Delta R\%$ 5 + R05
Climate Category		55/200/56
Solderability		Not applicable - designed for screw mounting only
Terminal strength	25N pull test for 10secs,	$\Delta R\%$ 5 + R05



Ordering Procedure

Example: WPYP10 at 100 kilohms and 1% tolerance in bulk pack boxes of 25 pieces:



General Note

TT Electronics reserves the right to make changes in product specification without notice or liability. All information is subject to TT Electronics' own data and is considered accurate at time of going to print.