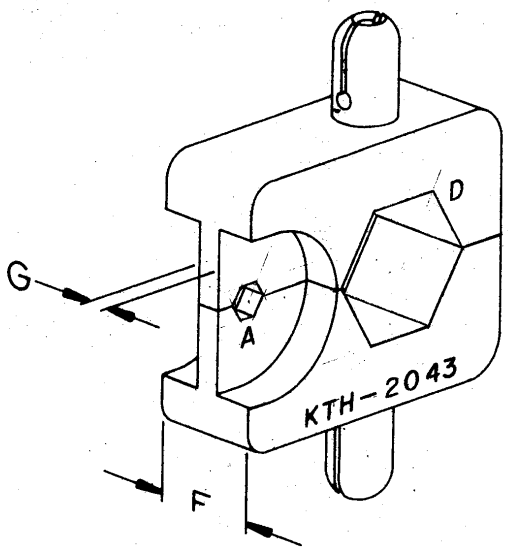


DASH NO. M CODE MADE FROM

KTH-2043 S-D

REVISIONS	
ISSUE	CHANGES
1	CN 14210A LI 14 FEB 75
2	CN 21048 C GG 18 SEP. 80
3	CN 27546 C AJ 2 DEC 85



S-D

SCALE: 2:1
USED ON:
REF:

HEX SIZES (ACROSS FLATS)				DIE WIDTH		DIE WIDTH		
A	B	C	D	F	G	H	I	
.132			.483	.900	.093			

CRIMP DIE

DRAWN: FAS DATE: 17 JUN 80
APPR: MJB DATE: 18 JUN 80

UNLESS OTHERWISE SPECIFIED:

- | | |
|---|---|
| <ul style="list-style-type: none"> 1. TOLERANCES: FRACTIONS & 2 PLACE DECIMALS ± .010 3 PLACE DECIMALS ± .004 ANGLES ± 0°30' T. I. R. CONCENTRICITY OF ANY 2 DIAMETERS MAY NOT EXCEED HALF THE SUM OF THEIR TOLERANCES. | <ul style="list-style-type: none"> 2. REMOVE ALL BURRS, BREAK SHARP EDGES .005 MAX. 3. NO FILLETS PERMITTED. 4. SURFACE ROUGHNESS 63 MICROINCHES RMS MAX. 5. ALL DIMENSIONS PRIOR TO PLATING. 6. ALL PLATING IN ACCORDANCE WITH KER 10004. |
|---|---|

KINGS
ELECTRONICS CO. INC
TUCKAHOE, NEW YORK 10707

KTH-2043 S-D