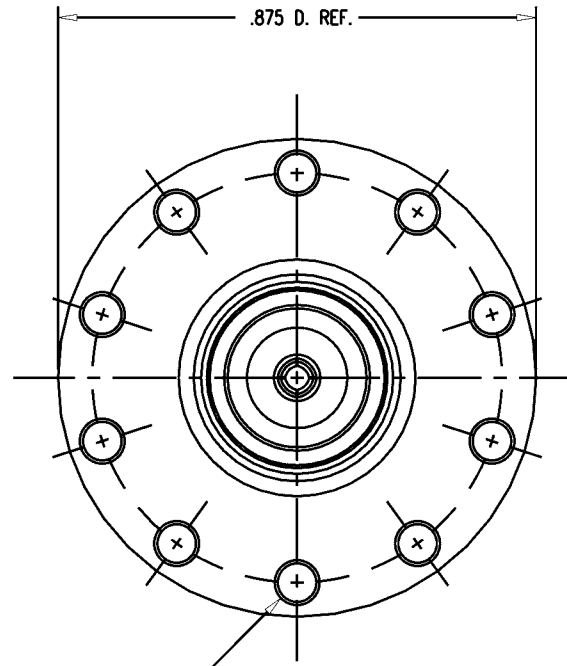
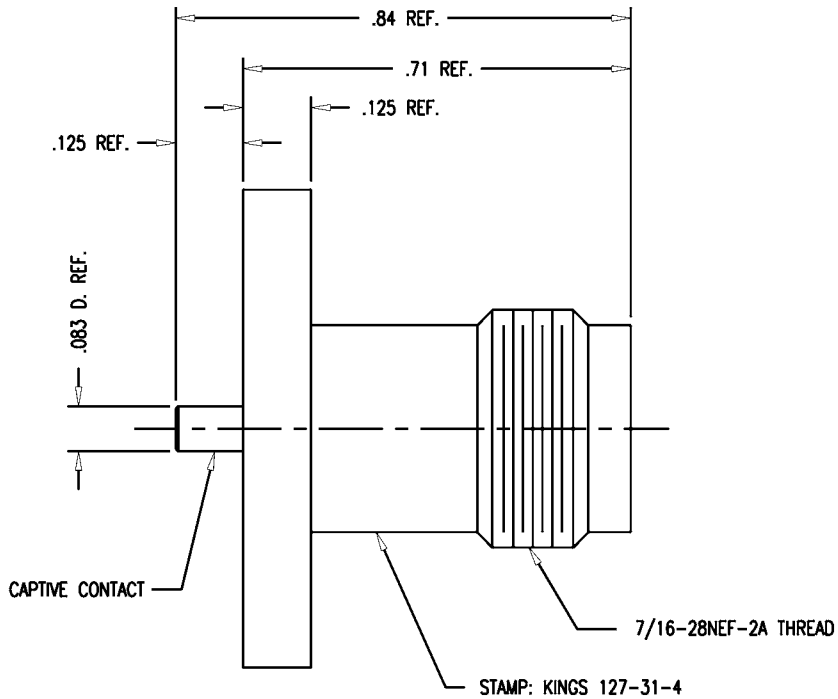


# GSD

127-31-4

REVISIONS

ISSUE	CHANGES
0	ER 36085 ME 02/13/95



NOTES:

1. INTERFACE PER MIL-STD-348, FIG. 313-2.
2. MATERIALS:  
INSULATORS: TEFLON, ASTM-D-4894  
CENTER CONTACT: BER. COP., ASTM-B-196  
BODY: BRASS, ASTM-B16
3. FINISHES:  
ALL METAL PARTS: GOLD PLATE PER MIL-G-45204
4. ELECTRICAL CHARACTERISTICS:  
NOMINAL IMPEDANCE: 50 OHMS  
FREQUENCY RANGE: DC TO 11 GHZ  
WORKING VOLTAGE: 500 VRMS

KAM3875

SCALE	4:1
APPROX SURFACE AREA	
WAS:	E-18540
USED ON	
REF:	BOEING P.O. 55-91431
STRIPLINE RECEPTACLE TNC, FEMALE	
DRAWN KH	DATE 09/08/94
DESIGN LI	DATE 09/09/94
APPR.	DATE

**KINGS**  
ELECTRONICS CO., INC.  
TUCKAHOE, NEW YORK 10707

# GSD

127-31-4