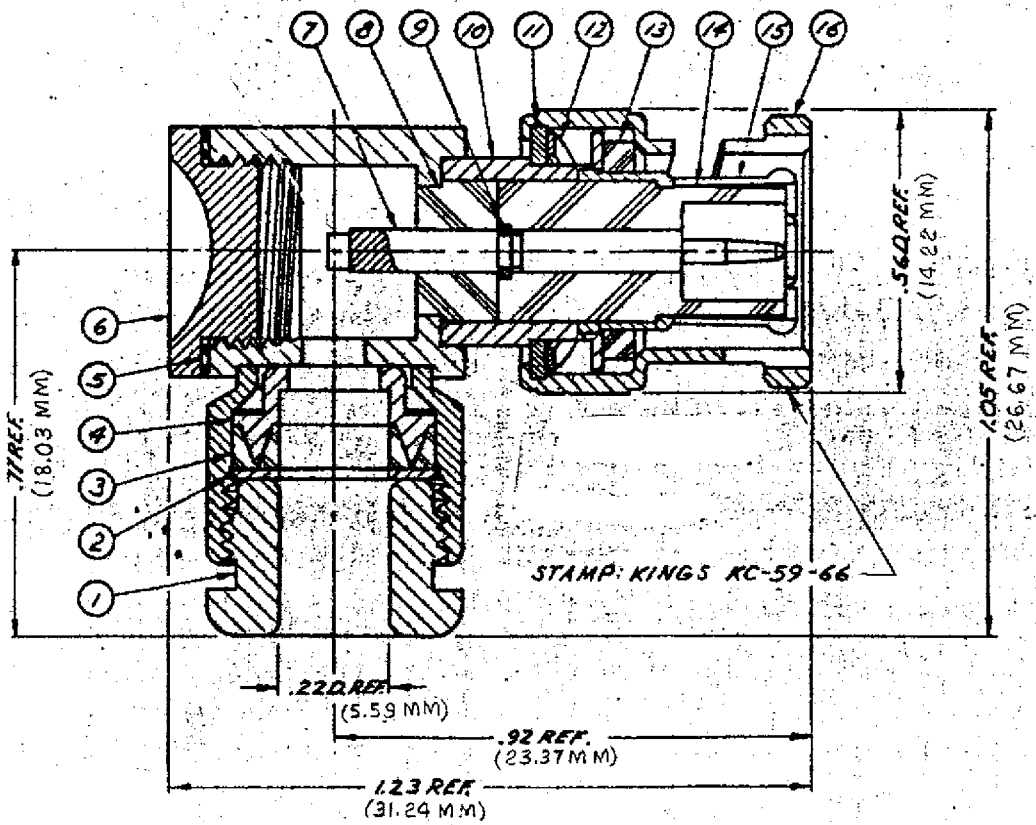


S-D
 (SHEET 1 OF 2)
 KC-59-66

REVISIONS	
NO.	CHANGES
7	CN 27929 C AJ 1 APR 86
8	CN 29393 C KH 19 NOV 87



NOTES
 1. FOR USE WITH RG-58, 141, 142, 323 & 400/U CABLE GROUPS.

- UNLESS OTHERWISE SPECIFIED:
- | | |
|---|--|
| 1. TOLERANCES: FRACTIONS & 2 PLACE DECIMALS ± .010
3 PLACE DECIMALS ± .004
T. I. R. CONCENTRICITY OF ANY 2 DIAMETERS MAY NOT EXCEED HALF THE SUM OF THEIR TOLERANCES. | 2. REMOVE ALL BURRS, BREAK SHARP EDGES .005 MAX.
3. NO FILLETS PERMITTED.
4. SURFACE ROUGHNESS 63 MICROINCHES RMS MAX.
5. ALL DIMENSIONS PRIOR TO PLATING.
6. ALL PLATING IN ACCORDANCE WITH KE 10004. |
|---|--|

SCALE	4:1
DESIGNER	
REP.	
BNC ANGLE PLUG	
DESIGNED BY AJ	DATE 1 APR 86
APPROVED BY MJB	DATE 8 APR 86
KC-59-66	
(SHEET 1 OF 2)	

S-D