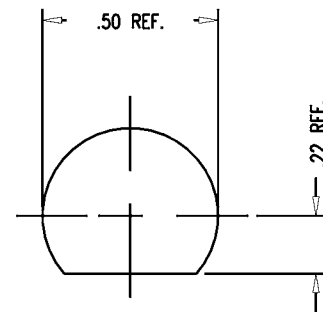
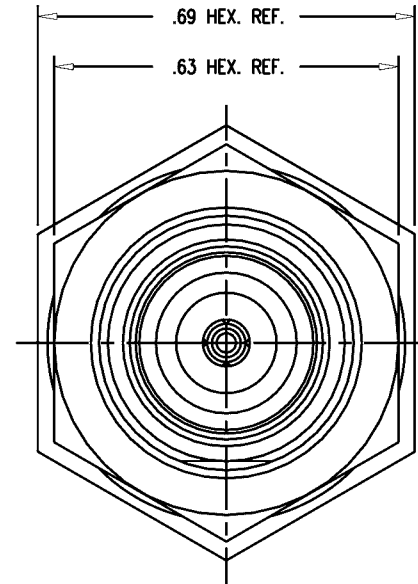
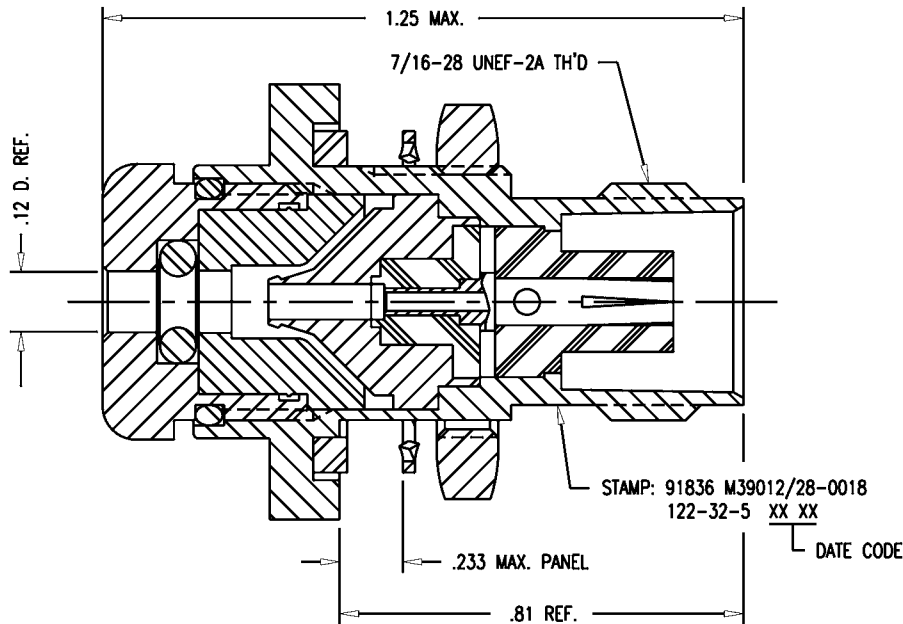


GSD

M39012/28-0018

REVISIONS

ISSUE	CHANGES	
	0	ER JCA
1	CN JCA	34631 C 05/20/93
2	CN KH	34571 A 05/28/93



MOUNTING HOLE

NOTES:

- FOR USE WITH M17/113-RG316 & /119-RG174 CABLE.
- FOR CABLING INSTRUCTIONS SEE 3-527.
- INTERFACE PER MIL-STD-348, FIG. 313-2.
- CENTER CONTACT TO SUPPLIED UNASSEMBLED.
- MATERIALS:
INSULATORS: TEFLON, ASTM-D-1457
GASKET & O-RINGS: SIL. RUB., ZZ-R-765
LOCKWASHER: PHOS. BRONZE, QQ-B-750
CENTER CONTACT: BER. COP., ASTM-B-196
ALL OTHER PARTS: BRASS, ASTM-B16
- FINISHES:
CENTER CONTACT: HARD GOLD PLATE PER MIL-G-45204
ALL OTHER METAL PARTS: SILVER PLATE PER QQ-S-365
- ELECTRICAL CHARACTERISTICS:
NOMINAL IMPEDANCE: 50 OHMS
VOLTAGE RATING: 500 VRMS
FREQUENCY RANGE: DC TO 11 GHz

122-32-5 JCA0883

SCALE 4:1	
APPROX SURFACE AREA	
WAS: E-17634	
USED ON	
REF:	
JACK, BKHD, TNC, W/P TAPER GRIP	
DRAWN JCA	DATE 09/11/90
DESIGN MJB	DATE 09/12/90
APPR. VLS	DATE 12/14/92

KINGS
ELECTRONICS CO., INC.
TUCKAHOE, NEW YORK 10707

M39012/28-0018

GSD