

|          |        |           |
|----------|--------|-----------|
| DASH NO. | M CODE | MADE FROM |
|----------|--------|-----------|

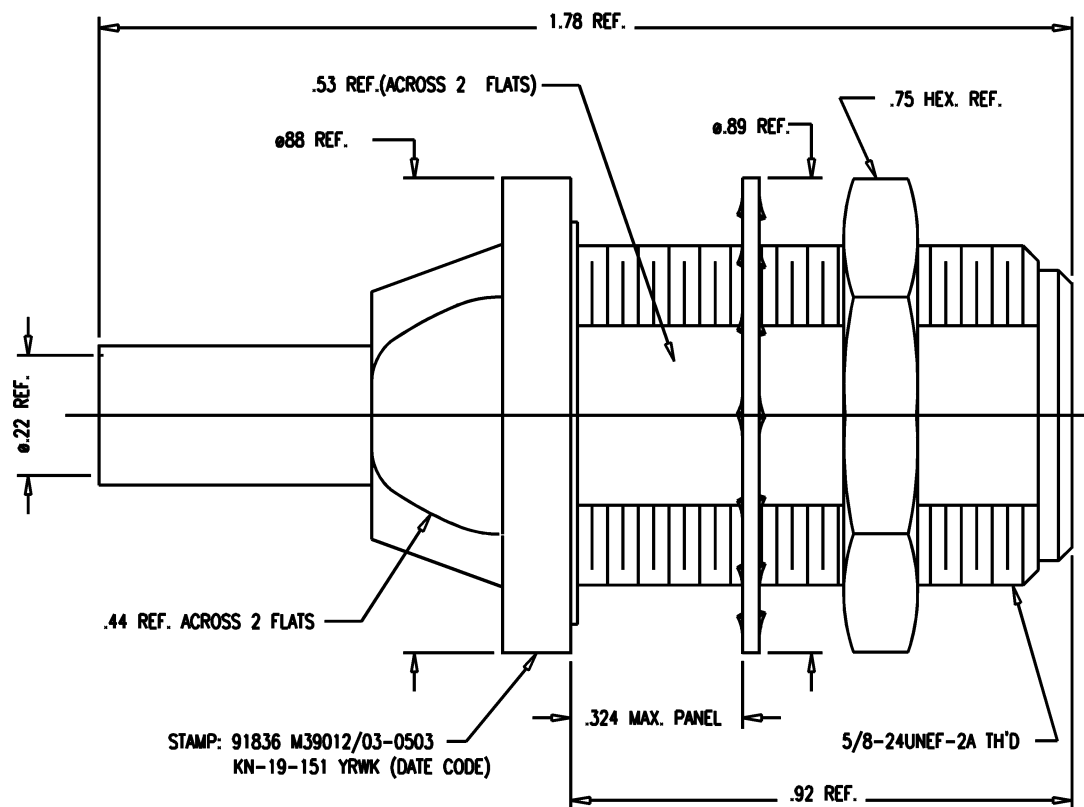
SD

M39012/03-0503

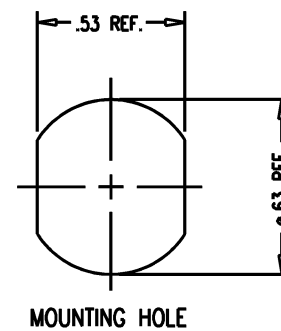
REVISIONS

| ISSUE | CHANGES                   |
|-------|---------------------------|
| 5     | CN 37427 C<br>KH 08/15/90 |

KN19151S



- NOTES:
- FOR USE RG-142, 223 & 400/U CABLE GROUPS.
  - FOR CABLING INSTRUCTIONS SEE CP-489.
  - FOR CRIMPING USE DIE KTH-2042.
  - INTERFACE PER MIL-STD-348, FIG. 304-2.
  - CENTER CONTACT (1-534-82 M9D) SUPPLIED UNASSEMBLED.
  - MATERIALS:  
INSULATOR-TEFLON, ASTM-D-4894  
LOCKWASHER-PHOS. BRONZE, ASTM-B-103  
CENTER CONTACT-BER. COP., ASTM-B-196  
K-GRIP SLEEVE-COM. BRONZE, ASTM-B-140  
GASKET-SILICONE RUBBER, ZZ-R-765  
ALL OTHER METAL PARTS-BRASS, ASTM-B16
  - FINISHES:  
CENTER CONTACT-GOLD PLATE PER MIL-G-45204  
ALL OTHER METAL PARTS-SILVER PLATE PER QQ-S-365
  - ELECTRICAL CHARACTERISTICS:  
NOMINAL IMPEDANCE-50 OHMS  
FREQUENCY RANGE-DC TO 11 GHZ  
WORKING VOLTAGE-1000 VRMS



MOUNTING HOLE

|                     |                   |      |          |
|---------------------|-------------------|------|----------|
| SCALE               | 4:1               |      |          |
| APPROX SURFACE AREA | KN-19-151         |      |          |
| USED ON             |                   |      |          |
| REF:                | JACK, BULKHEAD, N |      |          |
| DRAWN               | KH                | DATE | 12/15/97 |
| DESIGN              | LI                | DATE | 12/16/97 |
| APPR.               |                   | DATE |          |

**KINGS**  
ELECTRONICS CO., INC.  
TUCKAHOE, NEW YORK 10707

M39012/03-0503

SD