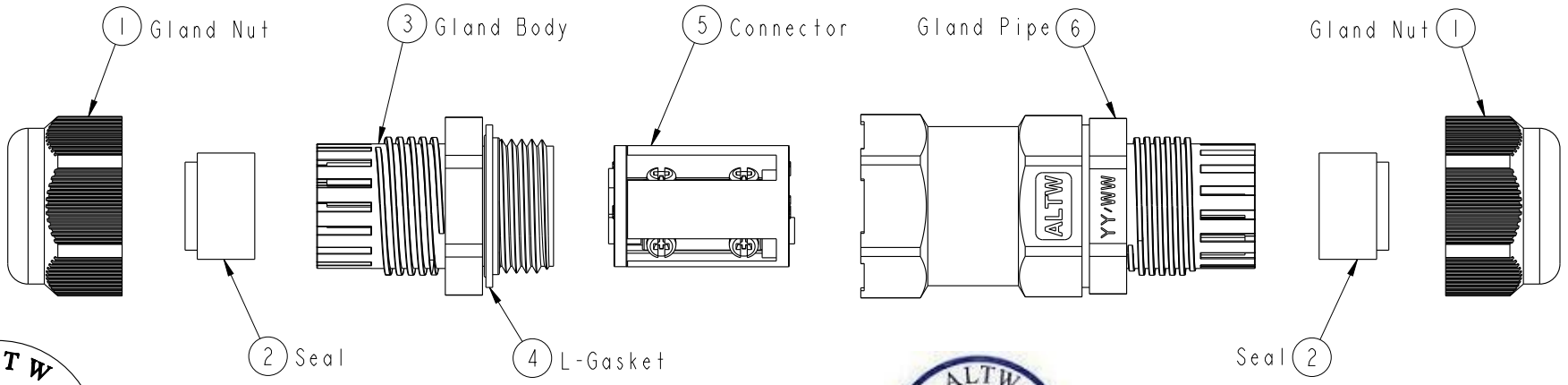


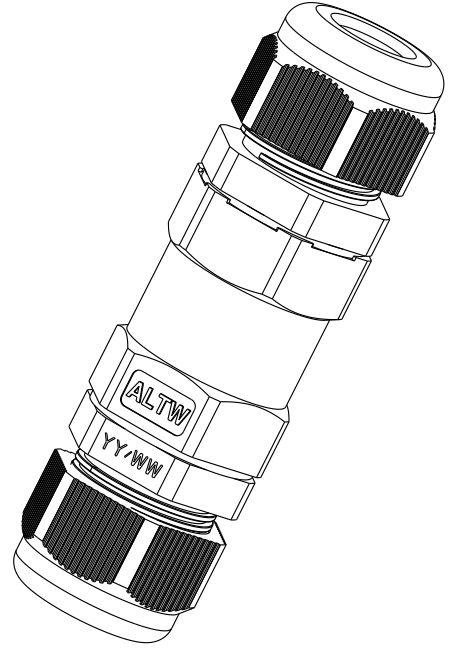
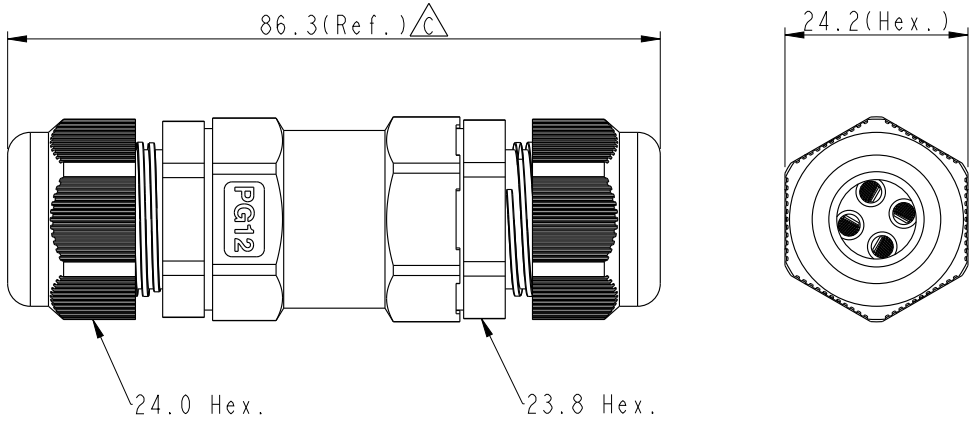
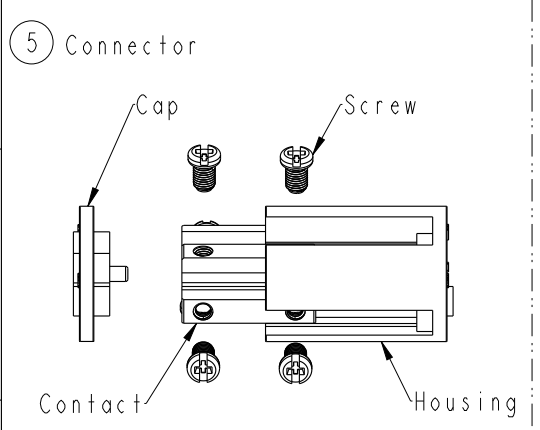
THIS DOCUMENT IS SUBJECT TO CHANGE WITHOUT NOTICE. IT IS CONFIDENTIAL AND A PROPERTY OF Amphenol LTW. DISCLOSURE TO THIRD PARTY HAS TO BE AUTHORIZED BY Amphenol LTW.

REV.	ECN NO.	DATE	SIGN	DESCRIPTION
B	LEN1650250~261	2016/04/25	Joyy	Modify The Wire Cross Section
C	LEN1681112~123	2016/07/11	Joyy	Modify The Size Of The Red Seal
D	LEN1690105~116	2016/09/10	Joyy	Modify the packaging and quantity



**ALTW**  
**CONFIDENTIAL**  
 2016-09-10  
**R&D DEPT.**

**ALTW**  
 DCC. DEPT.  
**CONFIDENTIAL**  
 2016.09.23  
**ISSUED**



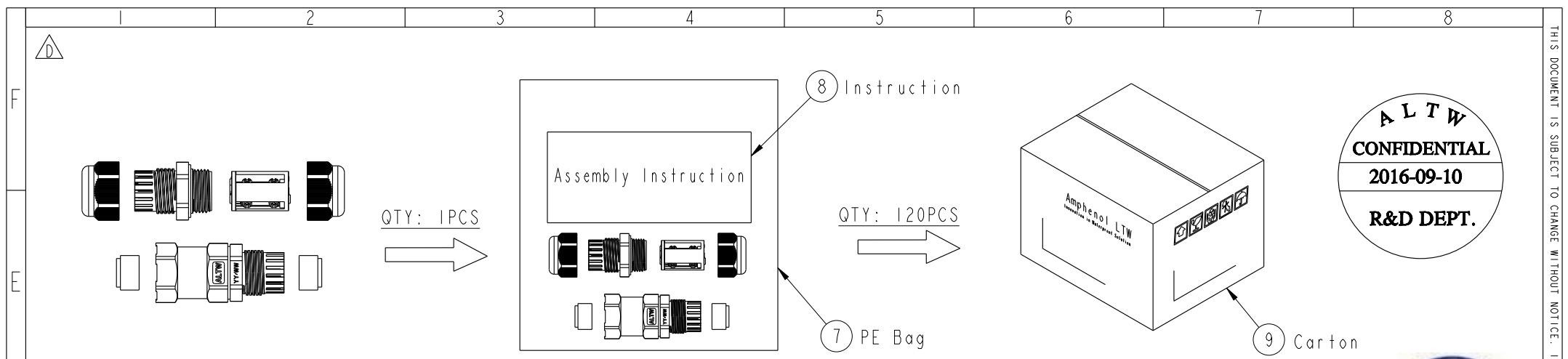
UNIT: mm		
TOLERANCE	.X	±0.25
	.XX	±0.1
	.XXX	±0.05
ANGLES		±1°

TITLE PG12 Cable Joiner Screw-in Type			
SCALE	1:1	SIZE	A4
REV.	D	WC-REV.	A.9
		SHEET	1 OF 2
☉: Inspection item			

**Amphenol LTW**  
 安費諾亮泰企業股份有限公司

ITEM NO	DRAWN BY	DATE
	Joyy	2016-09-10
DWG NO	CHECKED BY	DATE
SC-L-PG12-XX-XX	Ma Fei	2016-09-10
CUSTOMER	APPROVED BY	DATE
ALTW	Jerry	2016-09-10

THIS DOCUMENT IS SUBJECT TO CHANGE WITHOUT NOTICE. IT IS CONFIDENTIAL AND A PROPERTY OF Amphenol LTW. DISCLOSURE TO THIRD PARTY HAS TO BE AUTHORIZED BY Amphenol LTW.



**ALTW**  
**CONFIDENTIAL**  
 2016-09-10  
**R&D DEPT.**

**ALTW**  
 DCC. DEPT.  
**CONFIDENTIAL**  
 2016.09.23  
**ISSUED**

Both A Unassembled product And An Instruction Are In A PE Bag.  
 (將一套未組裝的產品和說明書，放置於一個PE袋，並封口)

**B/C** Note:

- \* **⊘** Important Dimension To Check.
- \* Waterproof Rate: IP68 (50M,24H)
- \* Housing & Cap: PA66+GF, Black.
- \* Gland Pipe: PA66, Black.
- \* Gland Body: PA66, Black.
- \* Gland Nut: PA6+GF, Black.
- \* Contact: Brass, Nickel Plated
- \* L-Gasket : Silicone, Yellow.
- \* Seal: Silicone, Blue & Yellow & Green & Red.
- \* Rated Voltage: 2~4 Pole 450V AC
- \* Rated Current: 2 & 3 Pole Max. 20A ,  
4 Pole Max. 15A.
- \* Operating Temperature: -40° ~+105°.
- \* Gland Body Recommended Tightening Torque:  
6~8 Kgf.cm(0.59~0.78 N.m)
- \* Gland Nut Recommended Tightening Torque:  
6~8 Kgf.cm(0.59~0.78 N.m)
- \* Seal For Cable OD:  $\varnothing$  4.5~ $\varnothing$  6.5mm, Blue.  
 $\varnothing$  6.6~ $\varnothing$  8.5mm, Yellow.  
 $\varnothing$  8.6~ $\varnothing$  10.5mm, Green .  
 $\varnothing$  10.6~ $\varnothing$  11.5mm, Red.
- \* Screws for Wire connection recommended tightening torque: 1.29~2.50 kgf.cm / 0.127~0.245 N.m
- \* Applicable Wire gauge (Stranded wire cross section) 0.75mm<sup>2</sup> (18AWG) ~ 2.5mm<sup>2</sup> (14AWG)

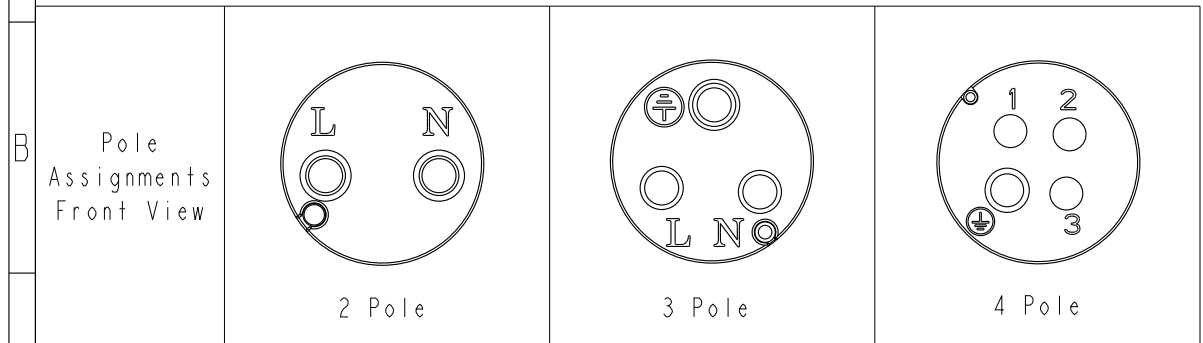
SC-L-PG12-XX-XX

L: Cable Joiner

Type: PG12

Seal's Color: BL-Blue(藍色) For Cable Range:  $\varnothing$  4.5~ $\varnothing$  6.5mm  
 YW-Yellow(黃色) For Cable Range:  $\varnothing$  6.6~ $\varnothing$  8.5mm  
 GN-Green(綠色) For Cable Range:  $\varnothing$  8.6~ $\varnothing$  10.5mm  
 RD-Red(紅色) For Cable Range:  $\varnothing$  10.6~ $\varnothing$  11.5mm **C**

No. of Conductor: 02-2Poles  
 03-3Poles  
 04-4Poles



UNIT:mm			TITLE PG12 Cable Joiner Screw-in Type			ITEM NO	DRAWN BY Joyy	DATE 2016-09-10
TOLERANCE .X ±0.25 .XX ±0.1 .XXX ±0.05 ANGLES ±1°			SCALE 1:1	SIZE A4	SHEET 2 OF 2	DWG NO SC-L-PG12-XX-XX	CHECKED BY Ma Fei	DATE 2016-09-10
			REV. D	WC-REV. A.9	<b>⊘</b> : Inspection item	CUSTOMER ALTW	APPROVED BY Jerry	DATE 2016-09-10
<b>Amphenol LTW</b> 安費諾亮泰企業股份有限公司								