

### GENERAL OPERATING CHARACTERISTICS

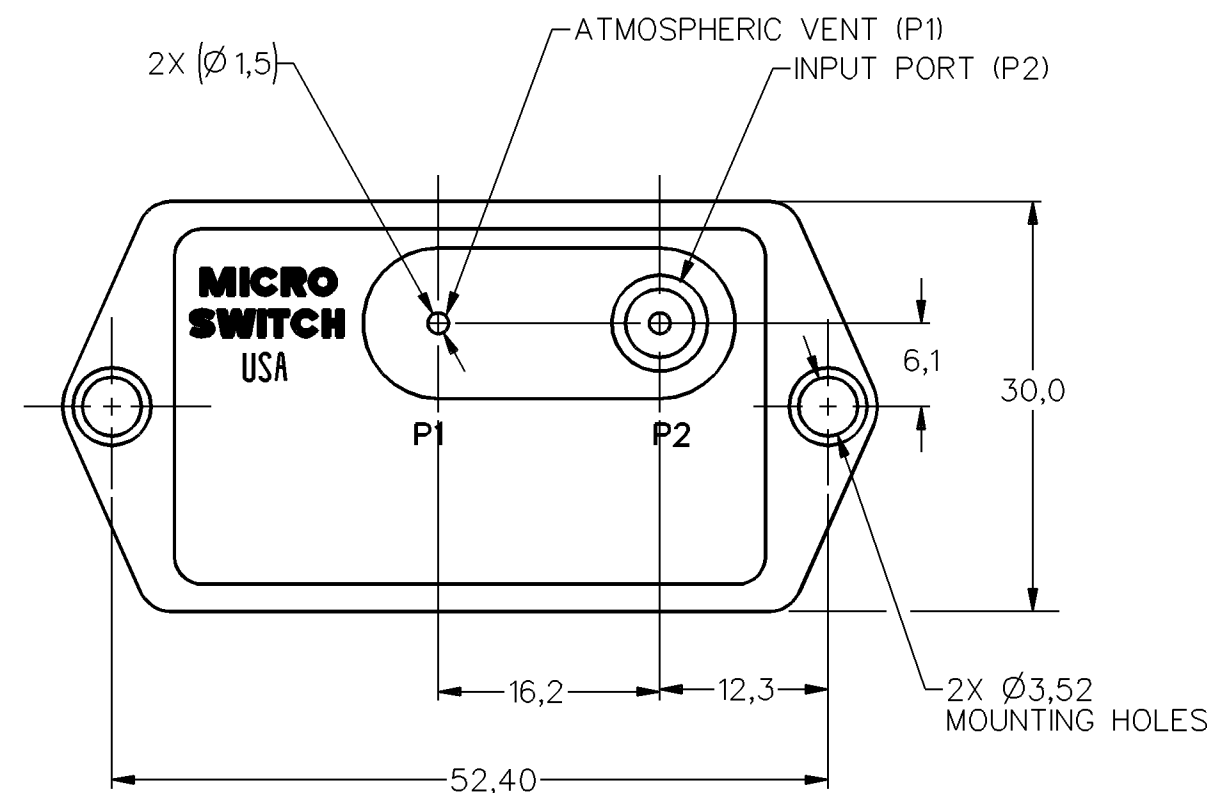
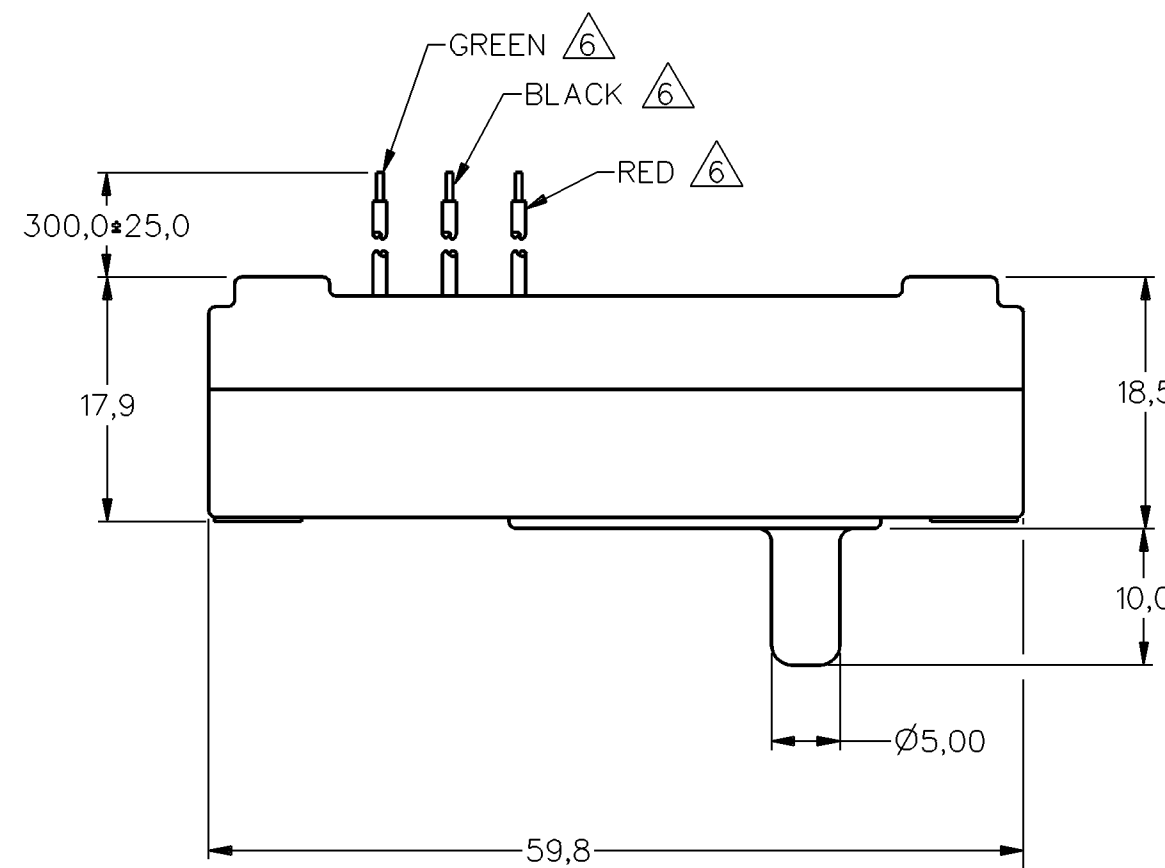
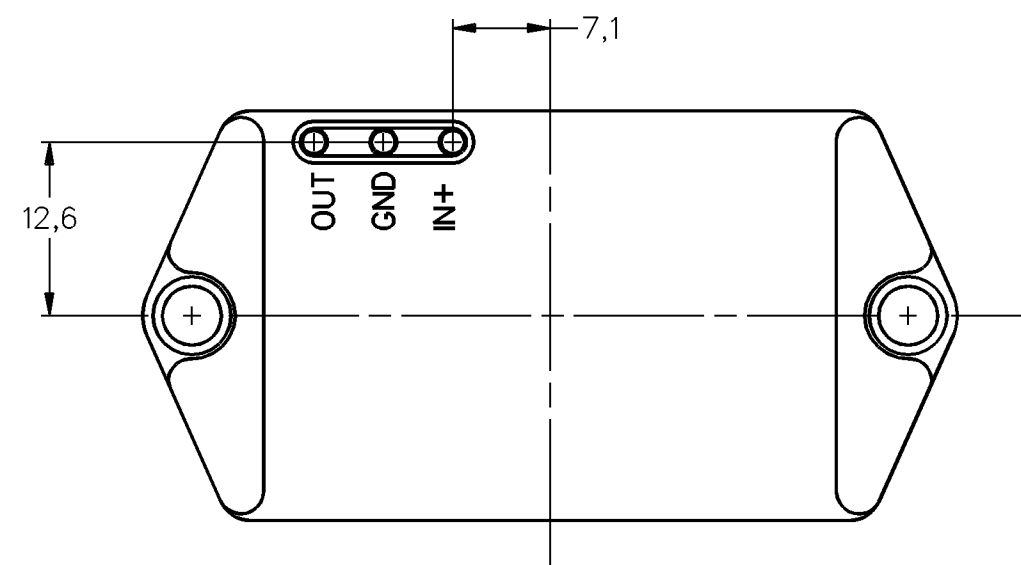
PRESSURE RANGE	0 TO 259mm Hg (0 TO 6 PSI)
OVERPRESSURE	1035 mm Hg (20 PSI)
TEMPERATURE RANGES	STORAGE -55° TO +125°C
	OPERATE -40 TO +85°C
	COMPENSATED -18 TO +63°C
SUPPLY VOLTAGE	7 TO 16 VDC
SUPPLY CURRENT	20mA MAX WITH 10K LOAD
OUTPUT VOLTAGE	PROPORTIONAL TO SUPPLY VOLTAGE OVER ABOVE RECOMMENDED RANGE
SHORT CIRCUIT LIMIT	MAY BE SHORTED INDEFINITELY
OUTPUT RIPPLE	NONE
GROUND REFERENCE	SUPPLY AND OUTPUT ARE COMMON

### ELECTRICAL PERFORMANCE AT 25°C AND 15.00±0.01 VDC SUPPLY

OUTPUT VOLTAGE	
NULL (0 PSIG)	.750±.100 VDC
FULL SCALE (6 PSIG)	10.000±.200 VDC (P2 > P1)
SENSITIVITY	1.542 V/psi
LINEARITY (%F.S.O.) $\Delta 5$ (BFSL)	±0.75 MAX (P2 < P1)
	±1.50 MAX (P2 > P1)
HYSTERESIS & REPEATABILITY (%F.S.O.) $\Delta 5$	±0.25 TYP
TEMPERATURE ERROR (%F.S.O.) $\Delta 5$	5°C < 25°C > 45°C
	-18°C < 25°C > 63°C
	-40°C < 25°C > 85°C
RESPONSE TIME	1m SEC MAX

#### NOTES

- 1 - INPUT MEDIA:  
P1 - DRY GASES ONLY: CONNECTION SIDE OF SENSOR  
P2 - LIMITED ONLY TO THOSE MEDIA THAT WILL NOT ATTACK  
POLYESTER, SILICON OR SILICONE BASED ADHESIVE
- 2 - TERMINALS ARE PLATED FOR SOLDERING
- 3 - LIMIT SOLDERING TO 315°C MAX FOR 10 SECONDS MAX
- 4 - UNITS ARE OF PLASTIC CONSTRUCTION
- $\Delta 5$  F.S.O. IS THE ALGEBRAIC DIFFERENCE BETWEEN THE OUT-  
PUT END POINTS (NULL AND FULL PRESSURE)
- $\Delta 6$  STRIPPED & TINNED LEAD ENDS TO BE 5.0 MAX



METRIC	INCHES
1.5	.06
3.52	.139
5.00	.197
6.1	.240
7.1	.280
10.0	.39
12.3	.484
12.6	.496
16.2	.64
17.9	.70
18.5	.73
30.0	1.18
52.40	2.063
59.8	2.35
300.0±25.0	11.8±1.0

THIRD ANGLE PROJECTION

SCALE 2 : 1

DO NOT SCALE PRINT

UNLESS OTHERWISE SPECIFIED  
TOLERANCES ARE

NO PLACE	(0)	± 1 mm
ONE PLACE	(0.0)	± 0.4 mm
TWO PLACE	(0.00)	± 0.15 mm
ANGLES		±

WEIGHT 31 GRAMS

THIS DRAWING COVERS A PROPRIETARY ITEM AND IS THE PROPERTY OF MICRO SWITCH, A DIVISION OF HONEYWELL. THIS DRAWING IS NOT TO BE COPIED OR USED WITHOUT THE APPROVAL OF MICRO SWITCH.

**MICRO SWITCH**  
a Honeywell Division

CATALOG LISTING  
**142PC06GW84**

**PRESSURE TRANSDUCER**

FED. MFG. CODE 91929

ANSI Y14.5M-1982 APPLIES

DDM/CAD  
DRAWN  
J A S  
9SEP91  
CHECK

142PC06GW84  
RELEASE NO. PR-19448  
REPLACES

ISSUE  
1

REVISIONS