

MICRO SWITCH
a Honeywell Division
FED. MFG. CODE 91929

SWITCH - BASIC

CATALOG LISTING
1DM435

X98342-DM

REPLACES X98342-DM

PR-21011

RELEASE NO.

CATALOG LISTING
1DM435

ISSUE
M
1

CHECK

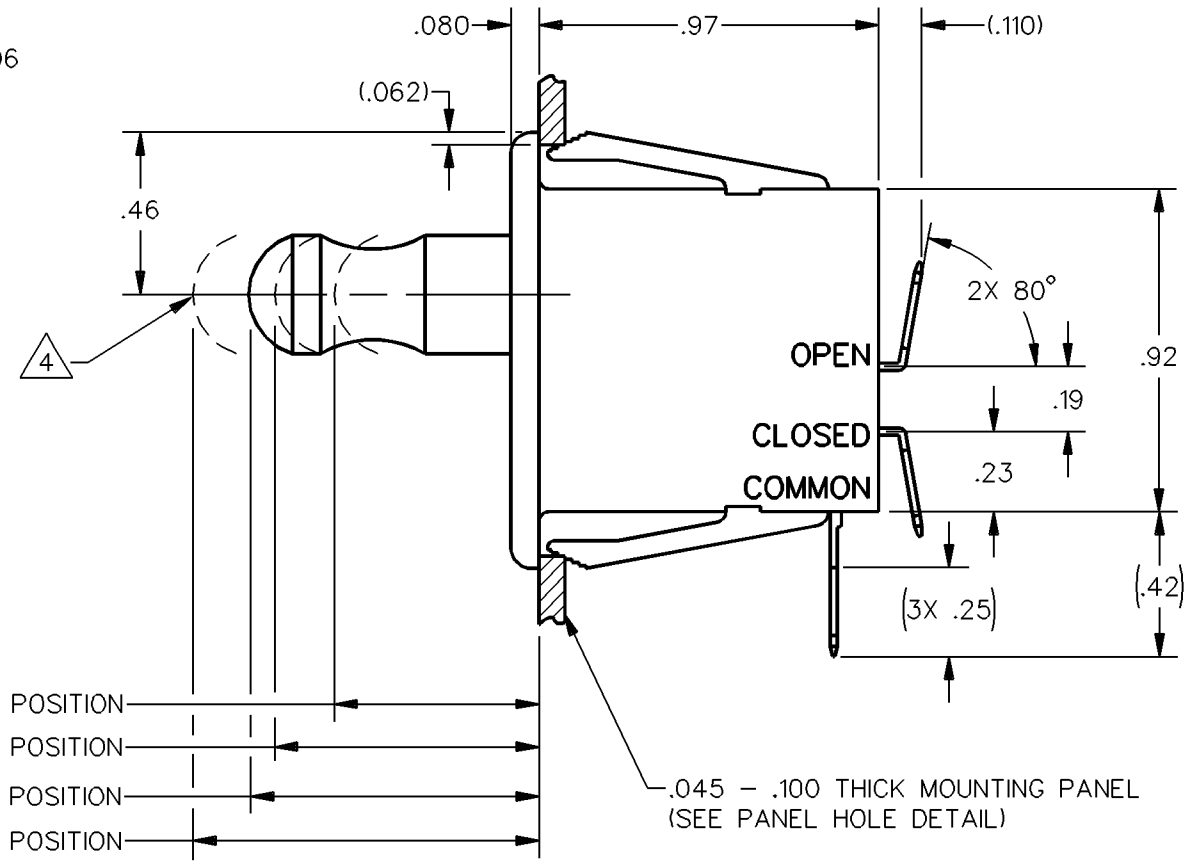
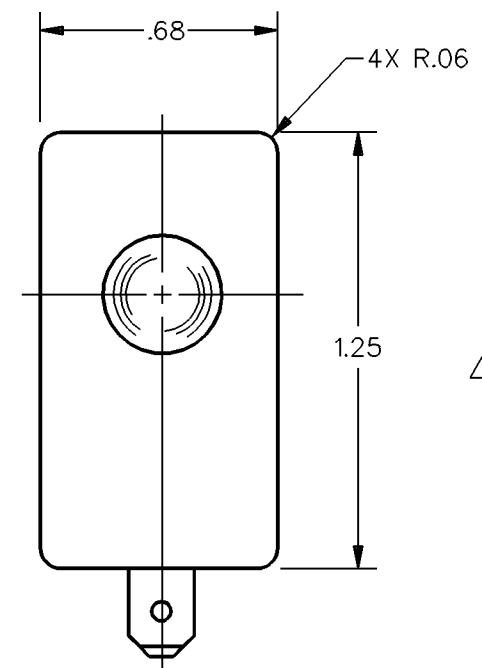
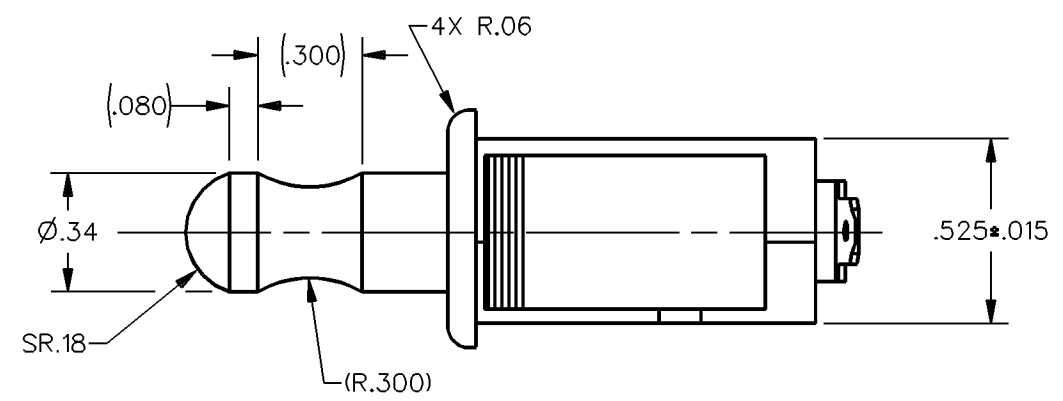
CHECK

CHECK

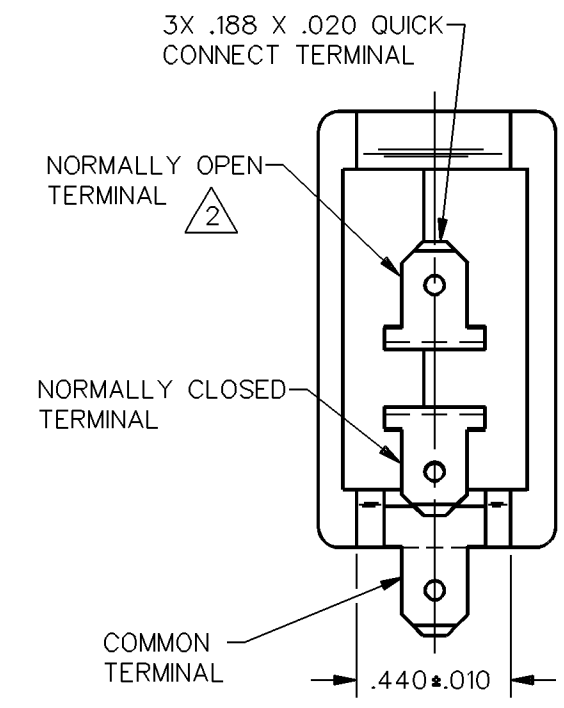
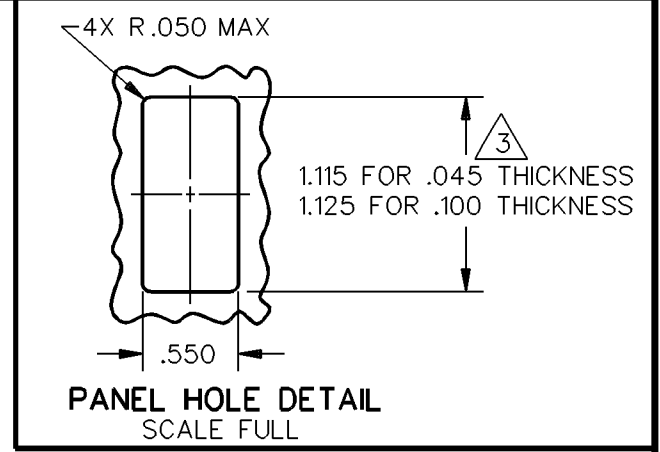
TSM 21 APR 94

DRAWN

DDM/CAD



.585 MAX OVERTRAVEL POSITION
.755 ± .050 OPERATING POSITION
.825 ± .030 FREE POSITION
.990 MAX EXTENDED POSITION



THIS DRAWING COVERS A PROPRIETARY ITEM AND IS THE PROPERTY OF MICRO SWITCH, A DIVISION OF HONEYWELL. THIS DRAWING IS NOT TO BE COPIED OR USED WITHOUT THE APPROVAL OF MICRO SWITCH

| CHARACTERISTICS |
|-------------------------------------|
| OPERATING FORCE - - - - - 15 OZ MAX |

| ELECTRICAL DATA |
|---------------------------------------|
| CONTACT ARRANGEMENT S P D T |
| L181 10A 1/2HP 125, 250 OR 277 VAC |
| RU |

| THIRD ANGLE PROJECTION |
|---|
| SCALE 2 TO 1 |
| DO NOT SCALE PRINT |
| UNLESS OTHERWISE SPECIFIED TOLERANCES ARE |
| ONE PLACE (.0) ± .030 |
| TWO PLACE (.00) ± .015 |
| THREE PLACE (.000) ± .005 |
| ANGLES ± 5° |
| WEIGHT |

- NOTES
- 1 - WHITE PLASTIC CASE AND PLUNGER
 - 2 - FLAG STYLE QUICK CONNECT RECEPTACLE REQUIRED FOR NORMALLY OPEN TERMINAL IF SWITCH IS WIRED BEFORE MOUNTING
 - 3 - NOMINAL CUTOUT DIMENSION FOR PANELS BETWEEN .045 AND .100 SHOULD BE INTERPOLATED BETWEEN 1.115 AND 1.125
 - 4 - PUSH TO OPERATE - MOMENTARY, PULL TO OPERATE - MAINTAINED

ANSI Y14.5M-1982 APPLIES