

1HS105

PAGE 1 OF 1

REPLACES

RELEASE NO. PR-342

M

DRAWING NUMBER

1617

ISSUE

CHECK

30AUG07

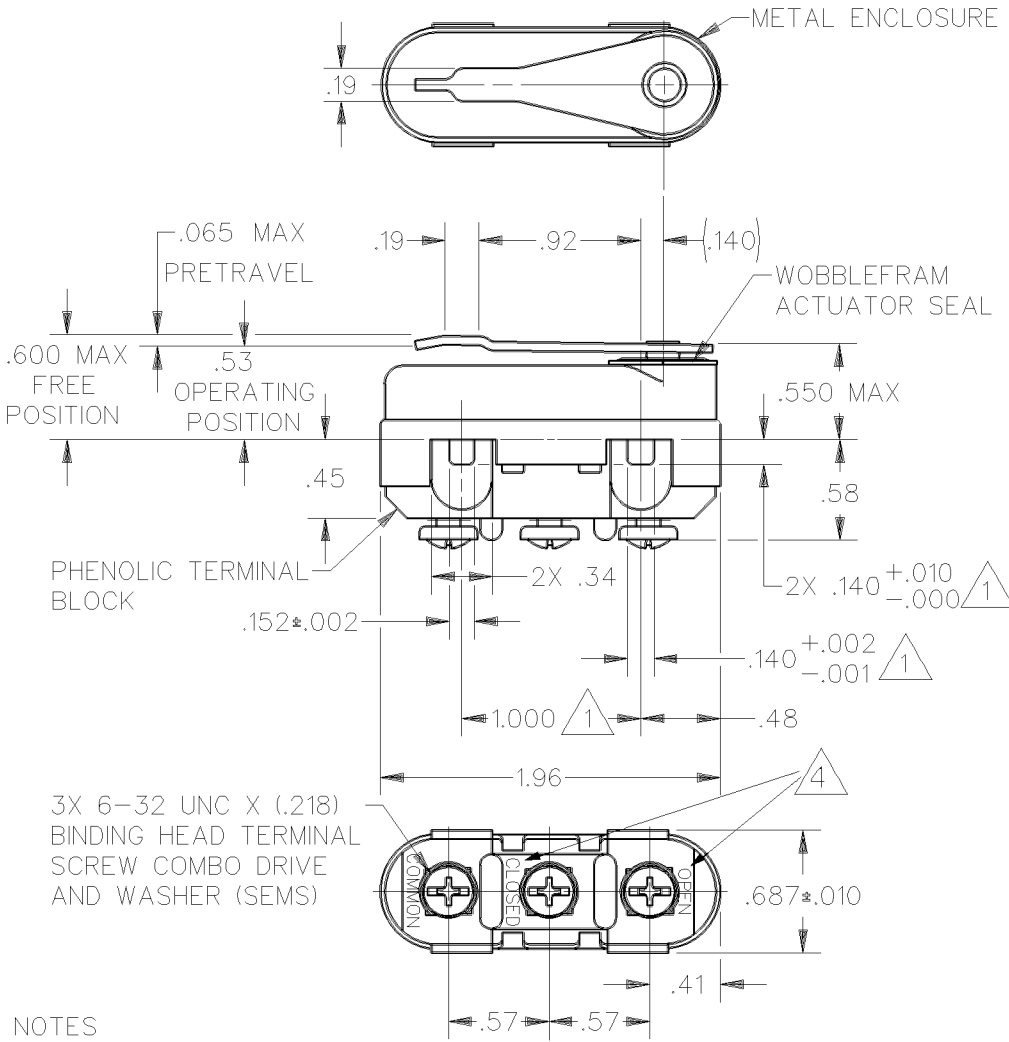
REVISIONS

A	CO 78141	TSM 9 AUG 94
B	CO 80973	DLT 27 JUN 95
C	CO-94122	TSM 12 MAR 99
D	0033032	JA 30AUG07

PSR

CHECK

30AUG07



NOTES

- 1 MOUNTING HOLES WILL ACCEPT PINS OR SCREWS OF $\phi .139$ MAX ON $1.000 \pm .002$ CENTERS
 - 2 - TRAVEL CHARACTERISTICS ARE REFERENCED FROM THE UPPER SURFACE OF MOUNTING HOLES WITH THIS CONSTRUCTION
 - 3 - FOR USE IN AMBIENT TEMPERATURE RANGE FROM MINUS 65°F TO PLUS 250°F
 - 4 - **CIRCUIT IDENTIFICATION FOR NORMAL STATE OF SWITCH WITH LEVER ACTUATED. OPEN AND CLOSED CIRCUIT REVERSED IF NORMAL SWITCH STATE IS WITH LEVER RELEASED**
- ANSI Y14.5M-1982 APPLIES

THIS DRAWING COVERS A PROPRIETARY ITEM AND IS THE PROPERTY OF MICRO SWITCH, A DIVISION OF HONEYWELL. THIS DRAWING IS NOT TO BE COPIED OR USED WITHOUT THE APPROVAL OF MICRO SWITCH.



CHARACTERISTICS	ELECTRICAL DATA			SCALE	FULL	DO NOT SCALE PRINT
	CONTACT ARRANGEMENT S P D T			UNLESS OTHERWISE SPECIFIED TOLERANCES ARE		
OPERATING FORCE — — — 10-22 OZ	LINE VOLTAGE 28 VDC (SEA LEVEL/100,000 FT)	INDUCTIVE LOAD 8 AMP	RESISTIVE LOAD 25 AMP	ONE PLACE	(.0)	$\pm .030$
RELEASE FORCE — — — 4 OZ MIN				TWO PLACE	(.00)	$\pm .015$
DIFFERENTIAL TRAVEL — — — .020 MAX	125 VAC (SEA LEVEL/70,000 FT)	1 AMP	.5 AMP	THREE PLACE	(.000)	$\pm .005$
OVERTRAVEL — — — .010 MIN	L277 DWL 1A 125 VAC, 5A 28 VDC			ANGLES		\pm
				WEIGHT	1.6 OZ MAX	

RASTER

DRAWN

T S M 9 AUG 94

CHECK

