

IPB16

PAGE 1 OF 1

M

DRAWING  
NUMBER

ISSUE

7

REPLACES

RELEASE NO.

CHECK

22 OCT 98

CO-93593  
PPF  
22 OCT 98

CO-94273  
G J W  
15 APR 99

J A F

CHECK

16 JUN 75

CHECK

DAW

CHECK

16 JUN 75

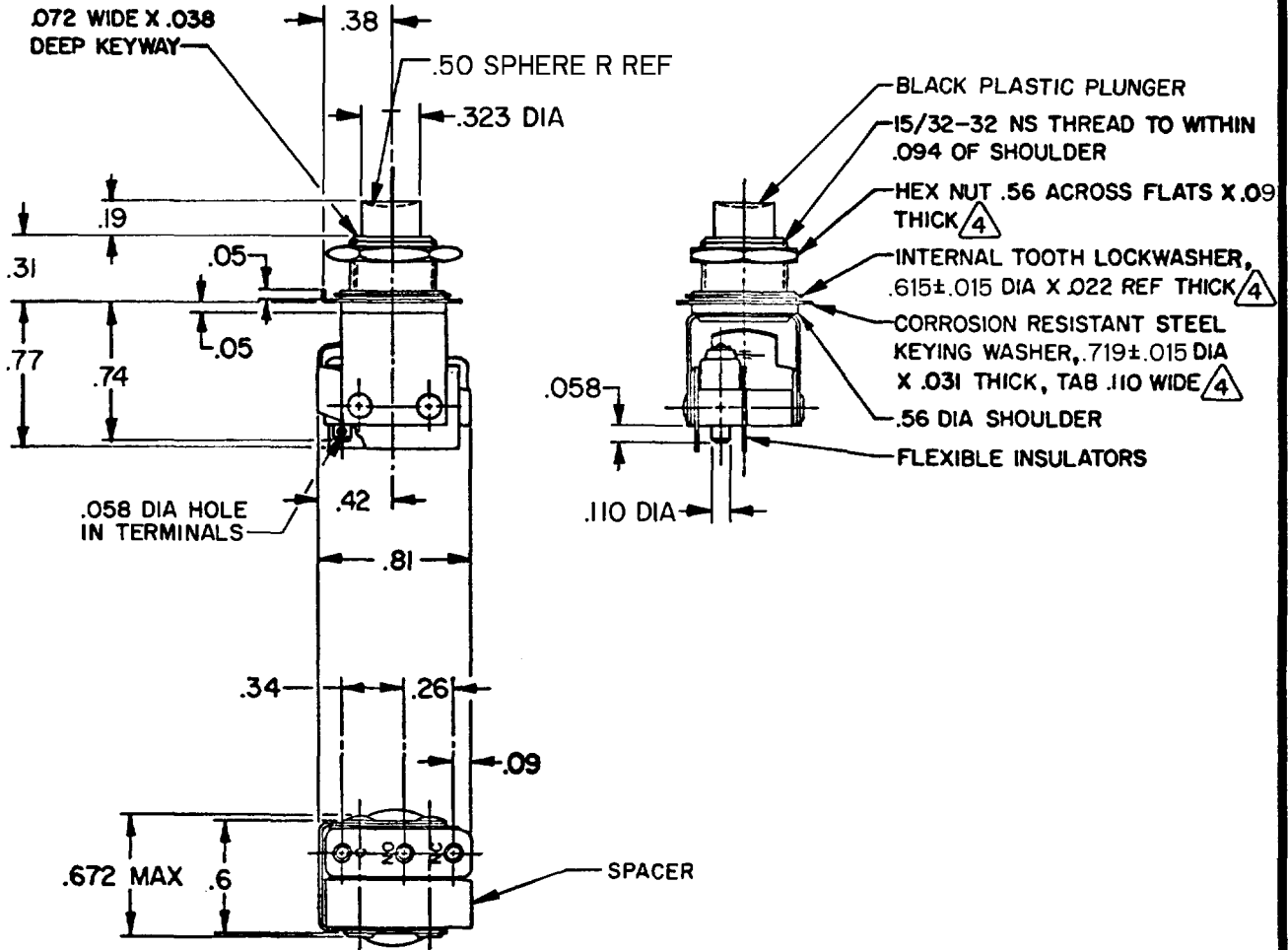
CHECK

DAW

CHECK

16 JUN 75

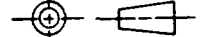
CHECK



- NOTE—**
- 1 - UNIT INCLUDES CATALOG LISTING "ISM" TYPE BASIC SWITCH
  - 2 - TERMINALS ARE PLATED FOR SOLDERING
  - 3 - UNIT WILL PERFORM SATISFACTORILY IN TEMPERATURES TO -65°F
  - 4 - MOUNTING HARDWARE FURNISHED UNASSEMBLED

THIS DRAWING COVERS A PROPRIETARY ITEM AND IS THE PROPERTY OF MICRO SWITCH, A DIVISION OF HONEYWELL. THIS DRAWING IS NOT TO BE COPIED OR USED WITHOUT THE APPROVAL OF MICRO SWITCH.

THIRD ANGLE PROJECTION



**CHARACTERISTICS**

OPERATING FORCE — I LB APPROX

**ELECTRICAL DATA**

CONTACT ARRANGEMENT  
S P D T

250 VAC ————— 5 AMP  
 30 VOLTS DC RATING  
 INDUCTIVE ——— SEA LEVEL — 3 AMP  
 50,000 FT — 2.5 AMP  
 RESISTIVE ——— SEA LEVEL — 5 AMP  
 50,000 FT — 5 AMP  
 MAXIMUM INRUSH ————— 24 AMP

SCALE FULL

DO NOT SCALE PRINT

**TOLERANCES**

APPLY TO DESIGN UNITS. CONVERSIONS ARE ONLY FOR REFERENCE. UNLESS NOTED, TOLERANCES ARE ±

	DIM.	TOL.	DIM.	TOL.
	mm	mm/in	in	mm/in
NO PLACES	X	17.04	X	0.07/05
ONE PLACE	X,X	0.4/018	X,X	0.38/015
TWO PLACES	X,X,X	0.16/008	X,X,X	0.13/008
THREE PLACES				
ANGLES				

DESIGN UNITS  SI METRIC  US CUSTOMARY

WEIGHT

FORMTEK

FO-52848-A

DRAWN

K P K

JUN 75